

Translucent Polycarbonate Window Shop Drawings

New Kimberly-Clark Hangar Building

Outagamie County Airport, Greenville, WI

ARCHITECT:
 Omni Associates
 One Systems Drive
 Appleton, WI 54914

GENERAL CONTRACTOR:
 SMA Construction Services
 5829 Geano Beach Rd.
 Abrams, WI 54101

PRODUCT DATA:

Fixed Window Glazing: 16mm ($\frac{5}{8}$ ") triple wall bronze structured polycarbonate, UV resistant. U=.40, LT=37%, SHGC=0.57, SC=0.65
Finish: Extruded aluminum members, barcap and trim have a Class I clear anodized finish.

Sealant: Dow 795 silicone sealant, Gray color.

Warranty:

Manufacturer: Wisconsin Solar Design, Inc.

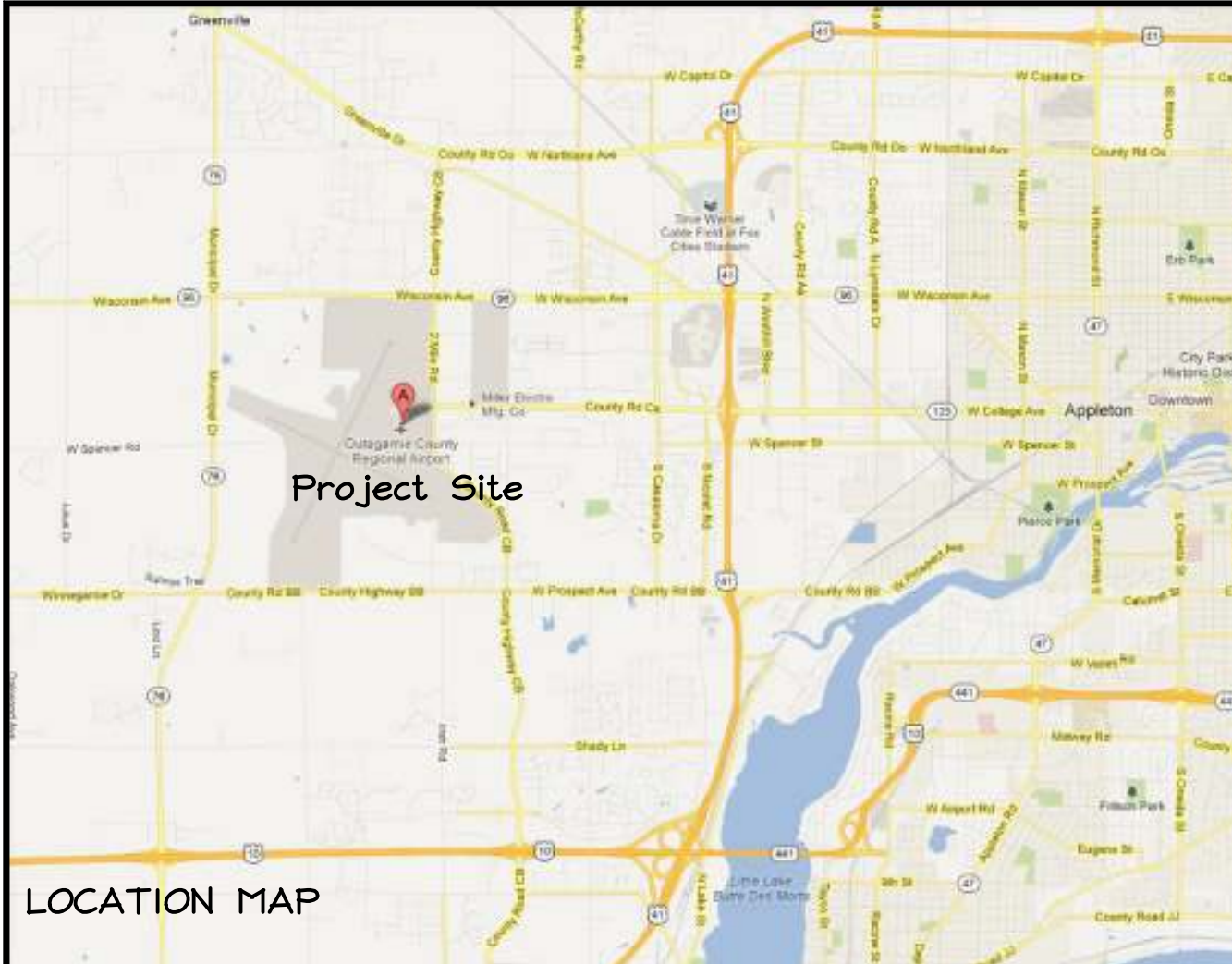
Installer Certification: Installers are full-time employees of WSD and are certified by the manufacturer.

NOTES to G.C.:

1. Provide flashing / trimming on all four sides of window openings. Windows will fit into the finished openings with a clearance of $\frac{1}{2}$ " or less all around. WSD will seal perimeter of windows to provide a watertight and airtight closure.
2. Please verify and hold the finished opening sizes shown thus * on page 4 of 5. Confirmed dimensions will be the basis for window fabrication.

SHEET INDEX

- 1 Title Page, Product Data, Map, Approvals
- 2 North & East Building Elevations
- 3 West Building Elevation
- 4 Enlarged Window Elevation
- 5 Details



DRAWING APPROVAL:

We have reviewed these drawings and approve their use for construction of the windows. Any comments or suggestions have been added to the drawings.

Architect:
 Omni Associates
 name _____
 title _____

General Contractor:
 SMA Construction Services
 name _____
 title _____

Drawings prepared by Kevin O'Brien, LEED-AP
 Wisconsin Solar Design

Manufacturer/Installer:

WISCONSIN SOLAR DESIGN
 6349 Briarcliff Ln., Middleton, WI 53562

Project:

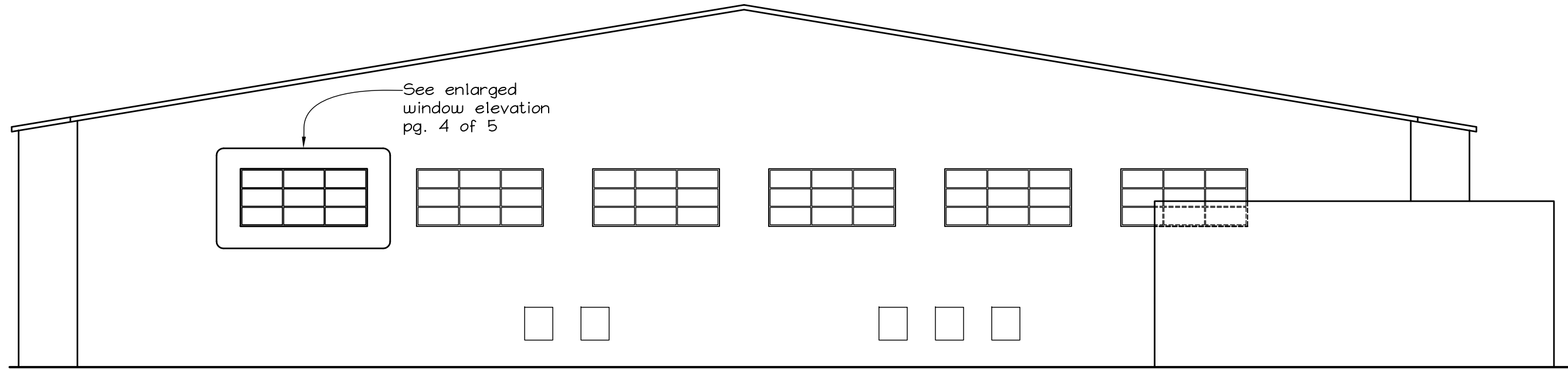
New Kimberly-Clark Hangar Bldg.
 Outagamie County Airport
 Greenville, WI

Architect:

Omni Associates
 One Systems Drive
 Appleton, WI 54914

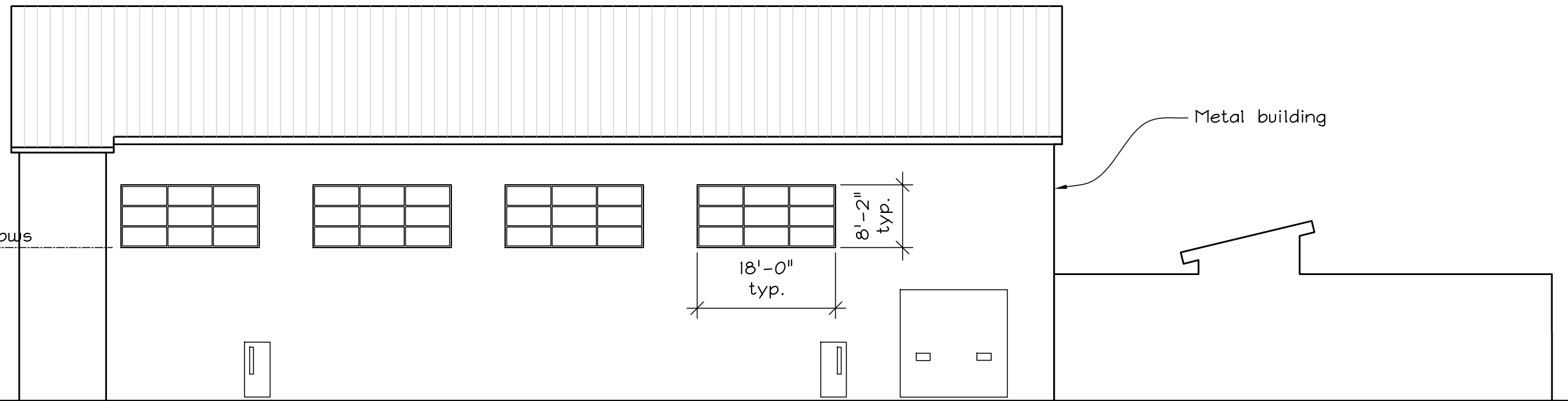
1 of 5

Issued:
 11/13/12



North Elevation

scale: $\frac{1}{16}'' = 1'-0''$
 (6) units this elevation



East Elevation

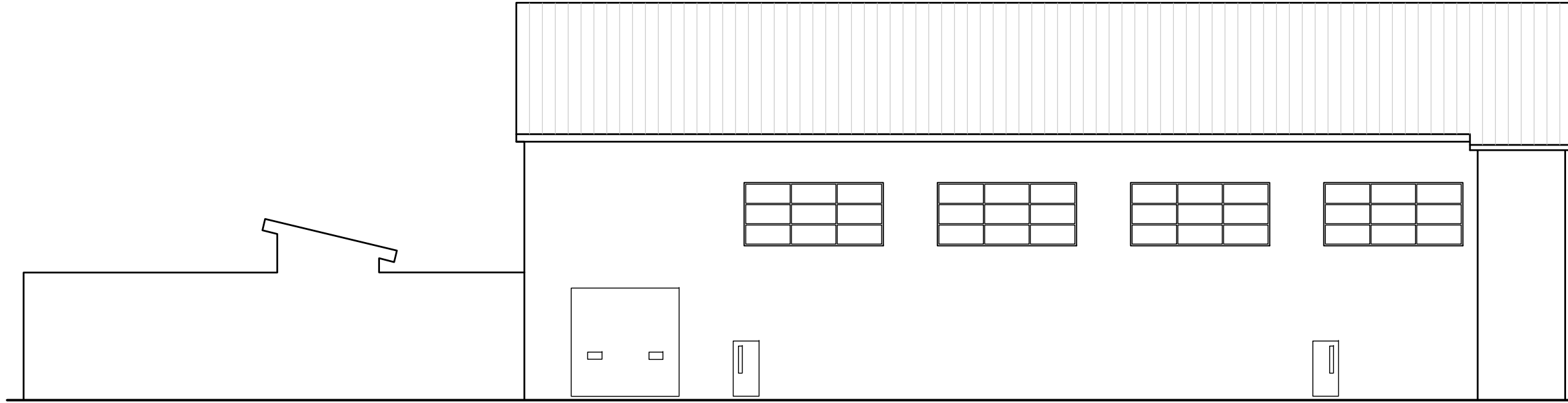
scale: $\frac{1}{16}'' = 1'-0''$
 (4) units this elevation

Manufacturer/Installer:
WISCONSIN SOLAR DESIGN
 6349 Briarcliff Ln., Middleton, WI 53562

Project:
 New Kimberly-Clark Hangar Bldg.
 Outagamie County Airport
 Greenville, WI

Architect:
 Omni Associates
 One Systems Drive
 Appleton, WI 54914

2 of 5
 Issued:
 11/13/12



West Elevation

scale: 1/16" = 1'-0"
(4) units this elevation

Architect:

Omni Associates
One Systems Drive
Appleton, WI 54914

Project:

New Kimberly-Clark Hangar Bldg.
Outagamie County Airport
Greenville, WI

Manufacturer/Installer:

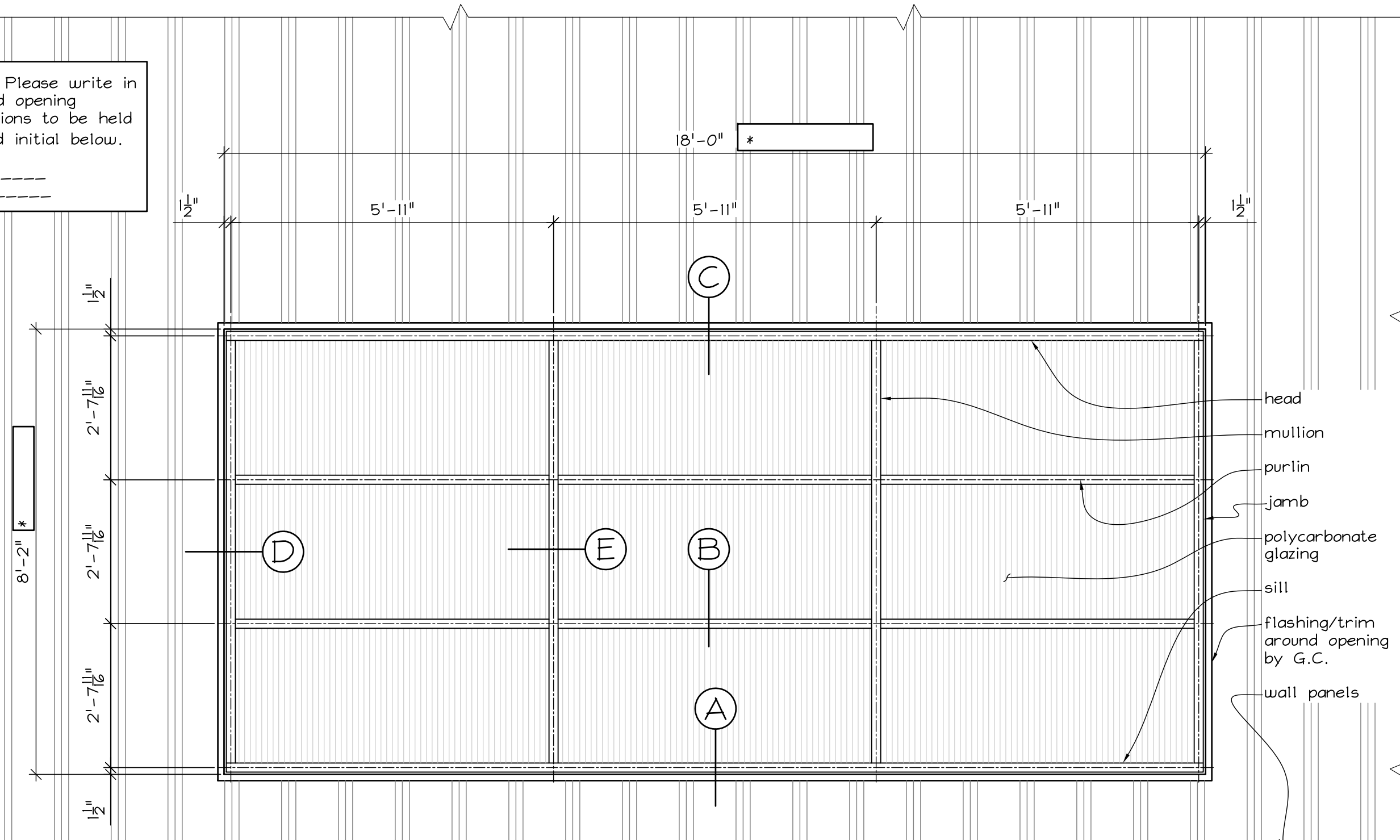
WISCONSIN SOLAR DESIGN

6349 Briarcliff Ln., Middleton, WI 53562

3 of 5

Issued:
11/13/12

* G.C. Please write in finished opening dimensions to be held $\pm \frac{1}{4}$ " and initial below.
 by: _____
 date: _____



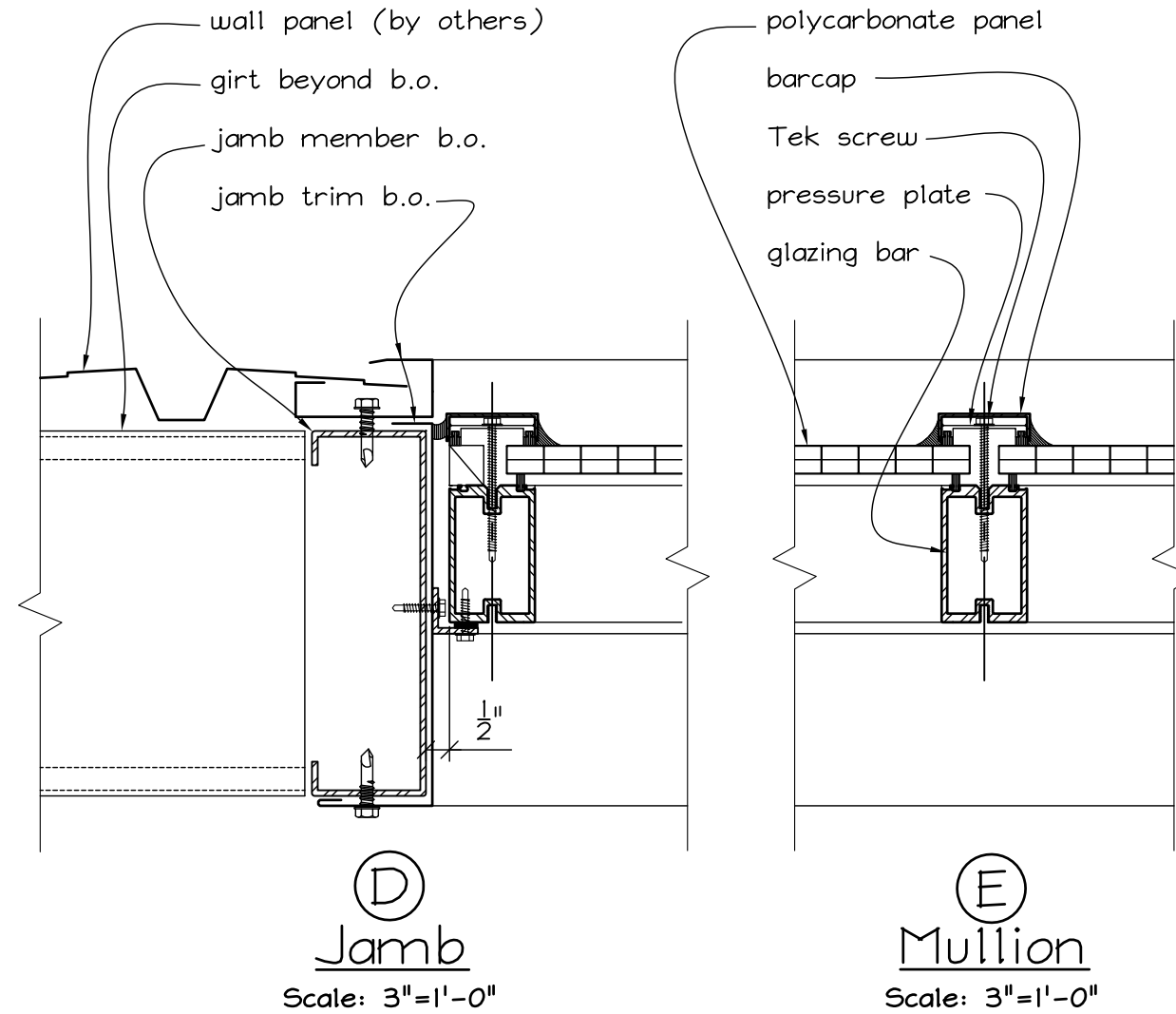
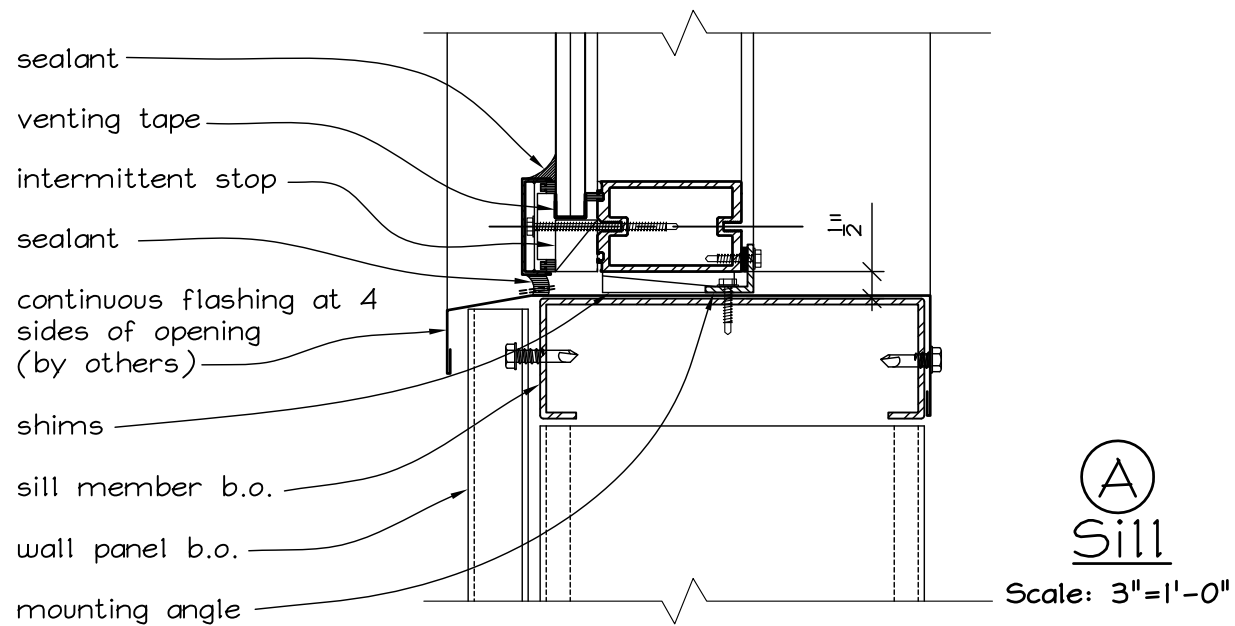
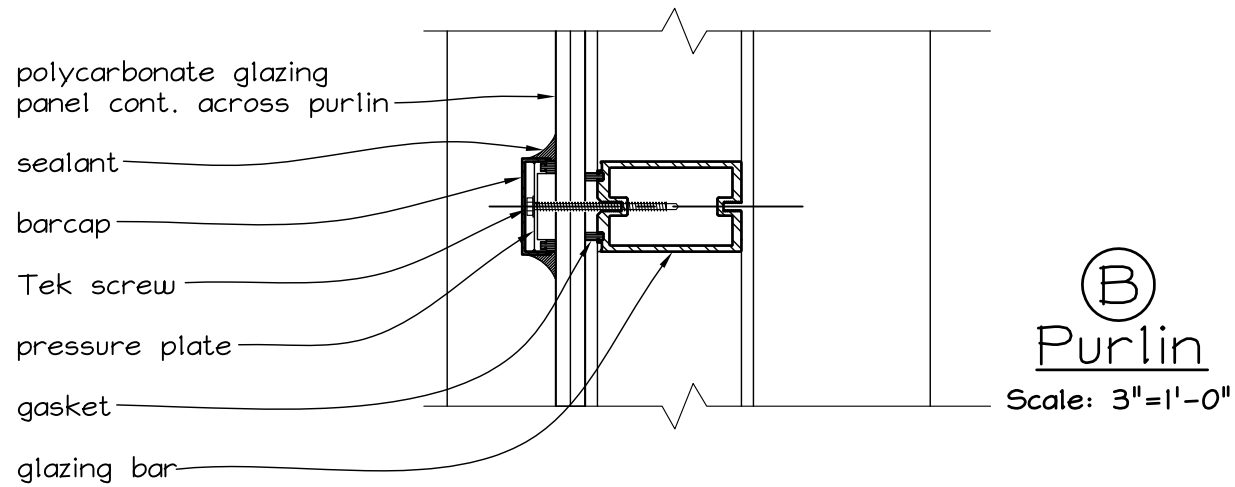
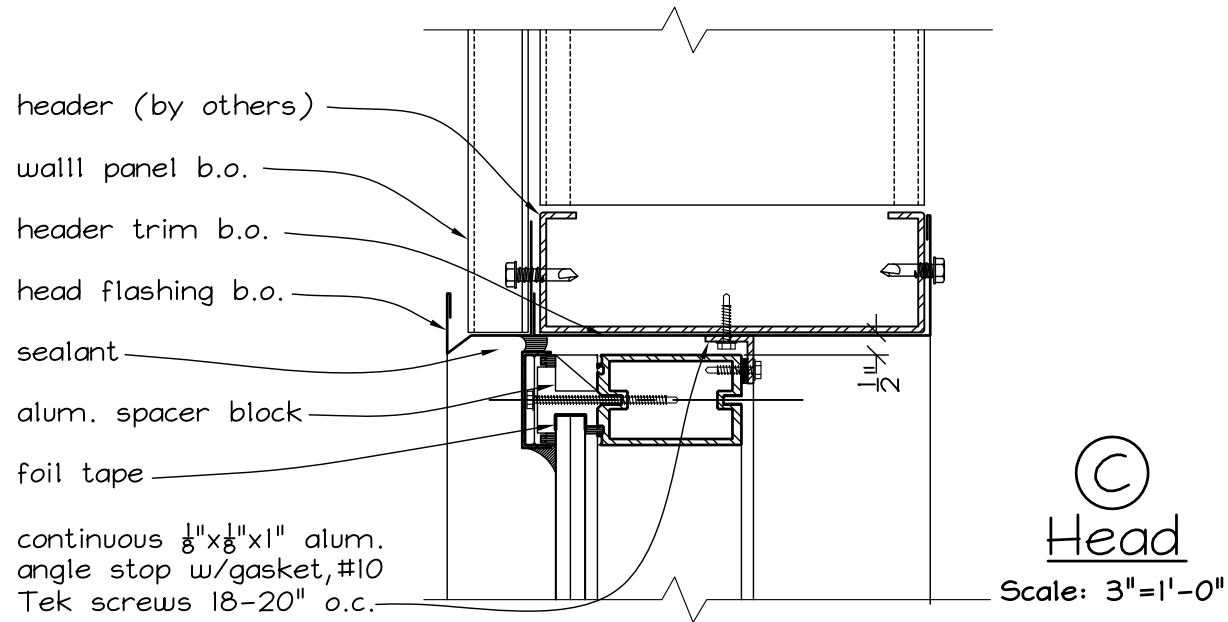
Window Elevation
 scale: $\frac{1}{2}$ " = 1'-0"
 (14) Thus

Manufacturer/Installer:
WISCONSIN SOLAR DESIGN
 6349 Briarcliff Ln., Middleton, WI 53562

Project:
 New Kimberly-Clark Hangar Bldg.
 Outagamie County Airport
 Greenville, WI

Architect:
 Omni Associates
 One Systems Drive
 Appleton, WI 54914

4 of 5
 Issued:
 11/13/12



Manufacturer/Installer:
WISCONSIN SOLAR DESIGN
 6349 Briarcliff Ln., Middleton, WI 53562

Project:
 New Kimberly-Clark Hangar Bldg.
 Outagamie County Airport
 Greenville, WI

Architect:
 Omni Associates
 One Systems Drive
 Appleton, WI 54914

5 of 5
 Issued:
 11/13/12