

SOLARIUM DETAIL MANUAL



6349 Briarcliff Ln., Middleton, WI 53562
Phones (800) 443-1639, (608) 831-2112
Fax (608) 836-5933 or (608) 233-1003

SOLARIUM DETAIL MANUAL

CONTENTS

Drawing

Plans and Elevations 3

Details

Jamb 4

Post 5

Corner 6

Jamb 7

Endwall Ridge 8

Rafter 9

Ridge 10

Eave 11

Door Sill 12

Furnace 13

Door Head 14

Eave 15

Window Sill 16

Door Jamb 17

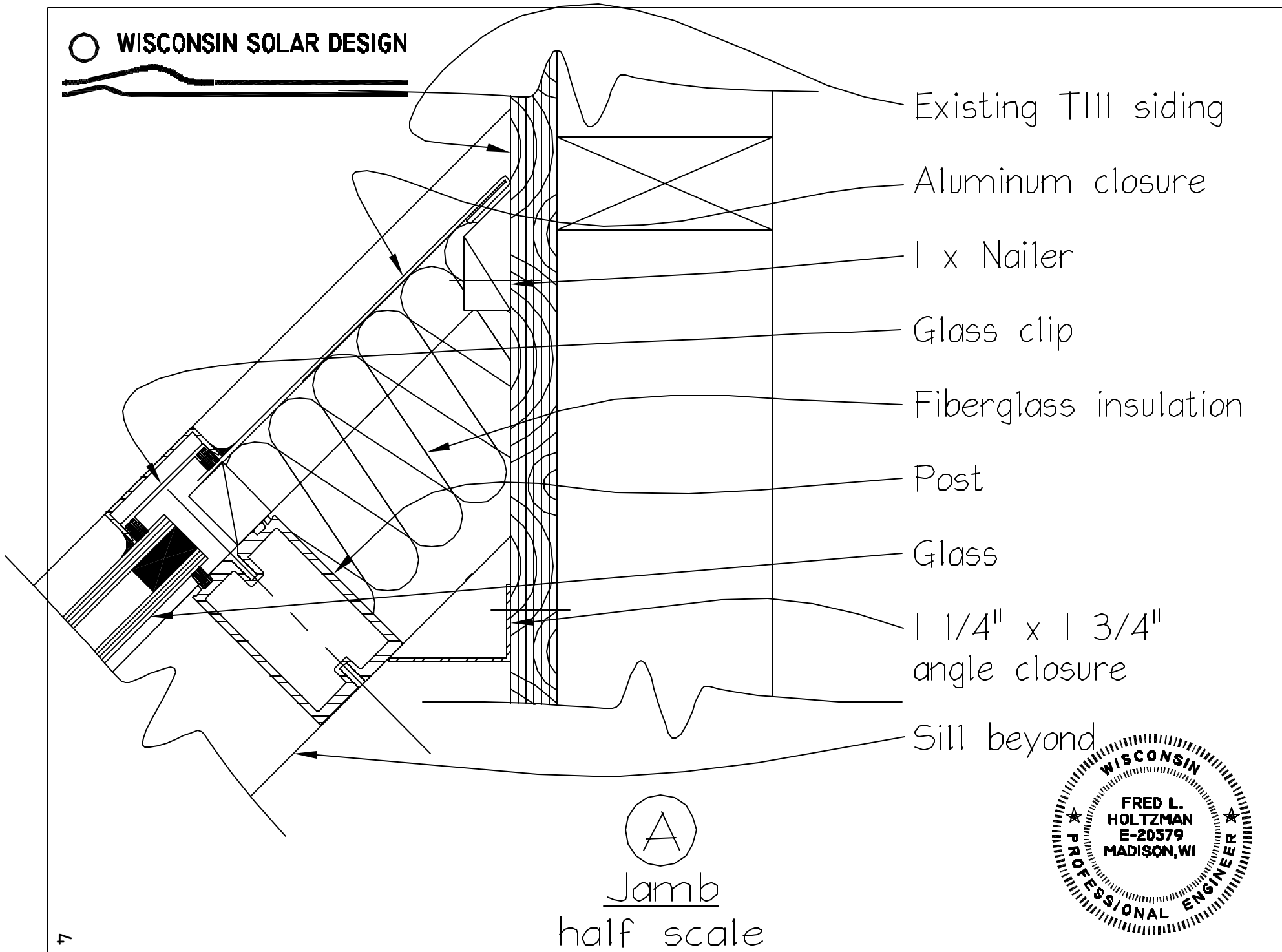
Endwall Ridge 18

Post 19

Purlin 20

Window Jamb 21

○ WISCONSIN SOLAR DESIGN



Existing T111 siding

Aluminum closure

1 x Nailer

Glass clip

Fiberglass insulation

Post

Glass

1 1/4" x 1 3/4"
angle closure

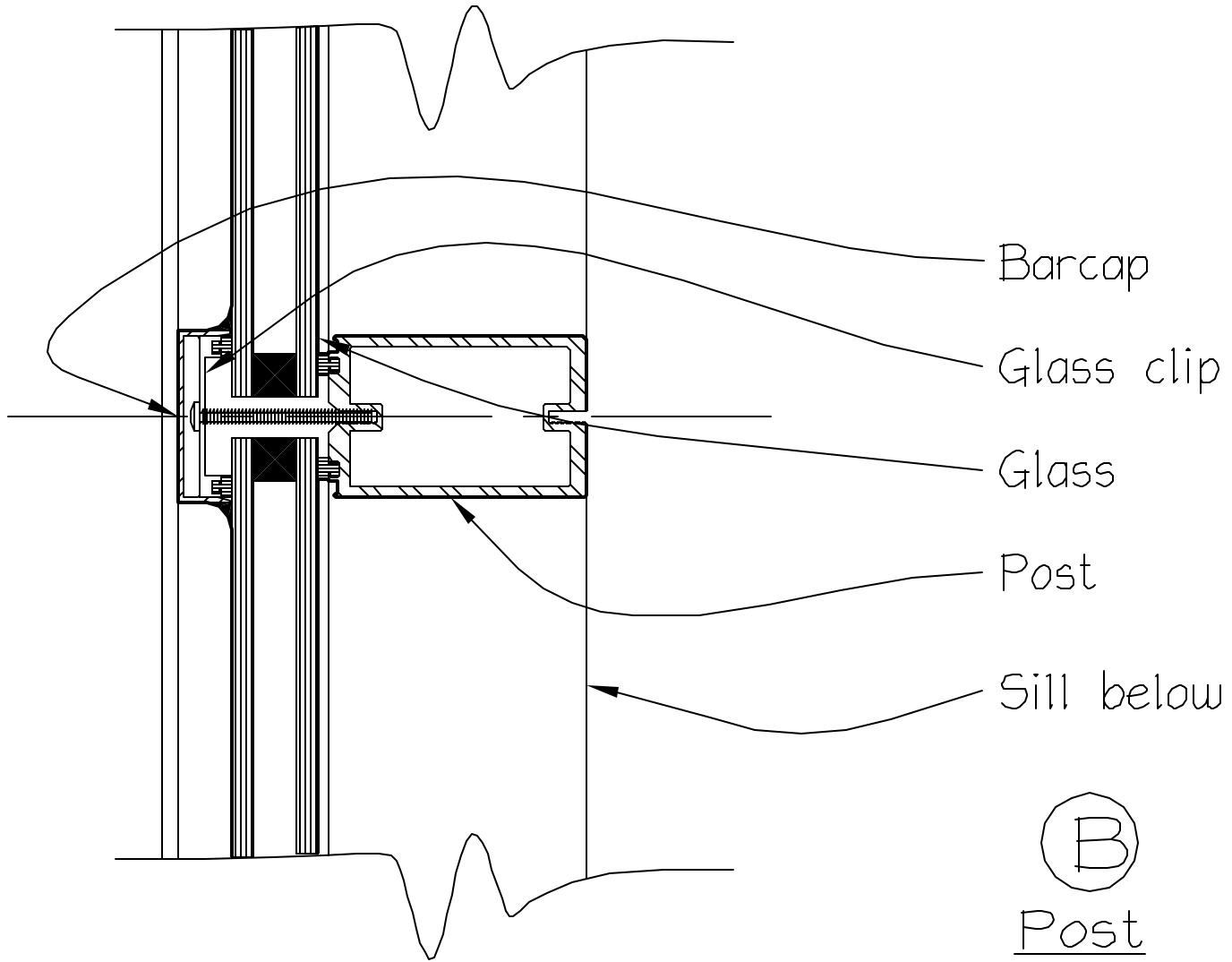
Sill beyond

○ A

Jamb
half scale



○ WISCONSIN SOLAR DESIGN



Barcap

Glass clip

Glass

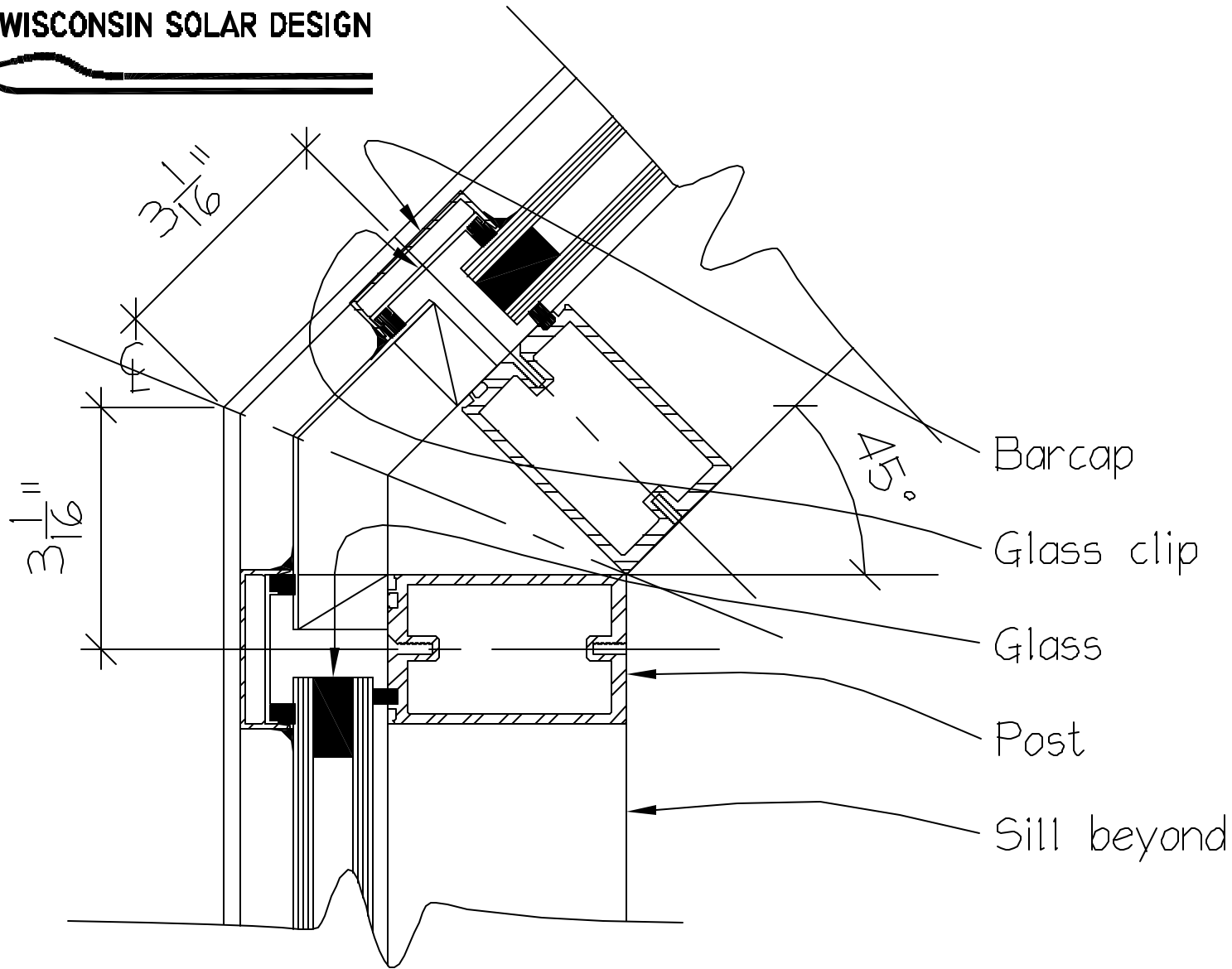
Post

Sill below

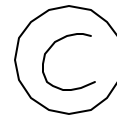
ⓑ

Post
half scale

○ WISCONSIN SOLAR DESIGN

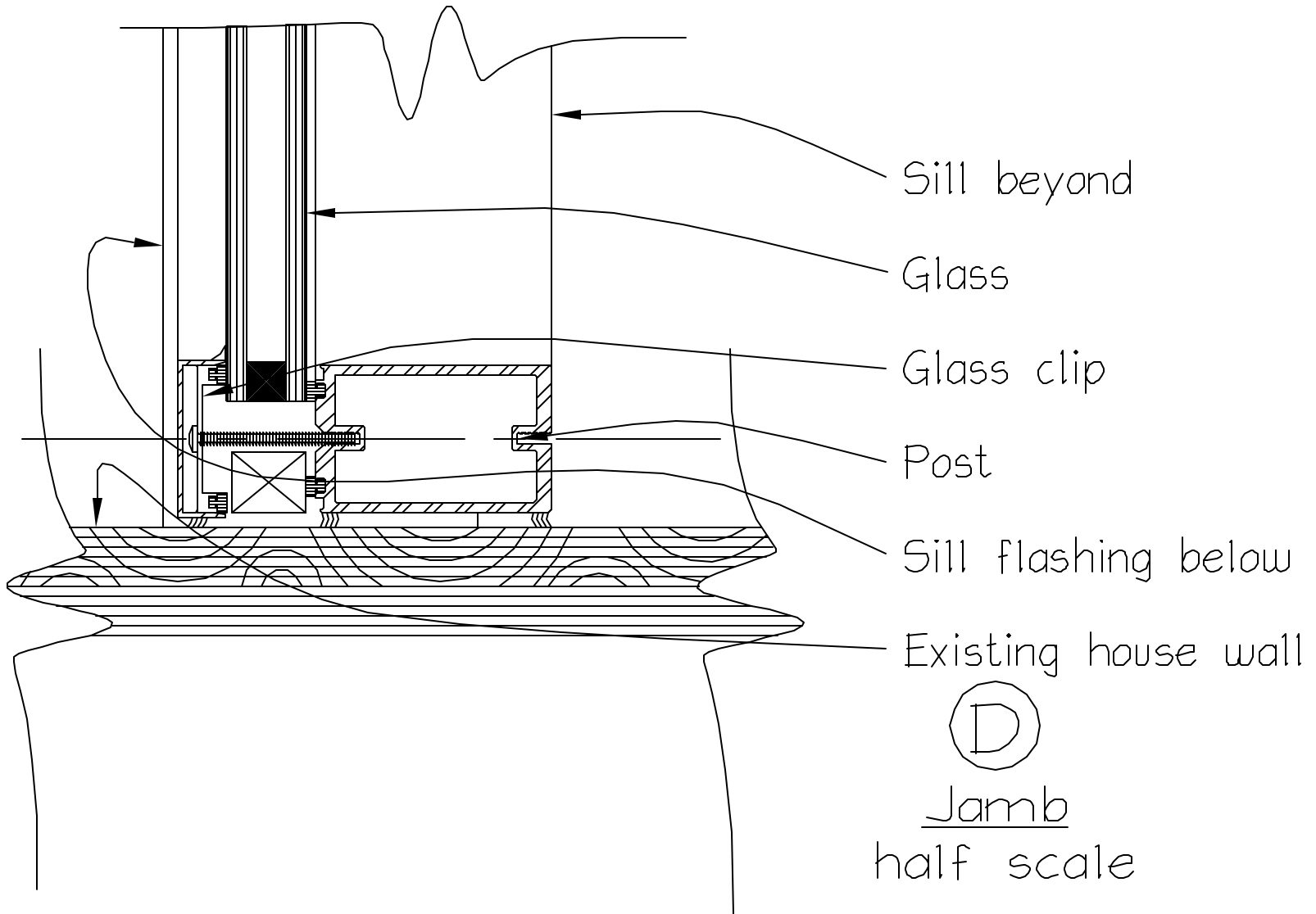


- Barcap
- Glass clip
- Glass
- Post
- Sill beyond

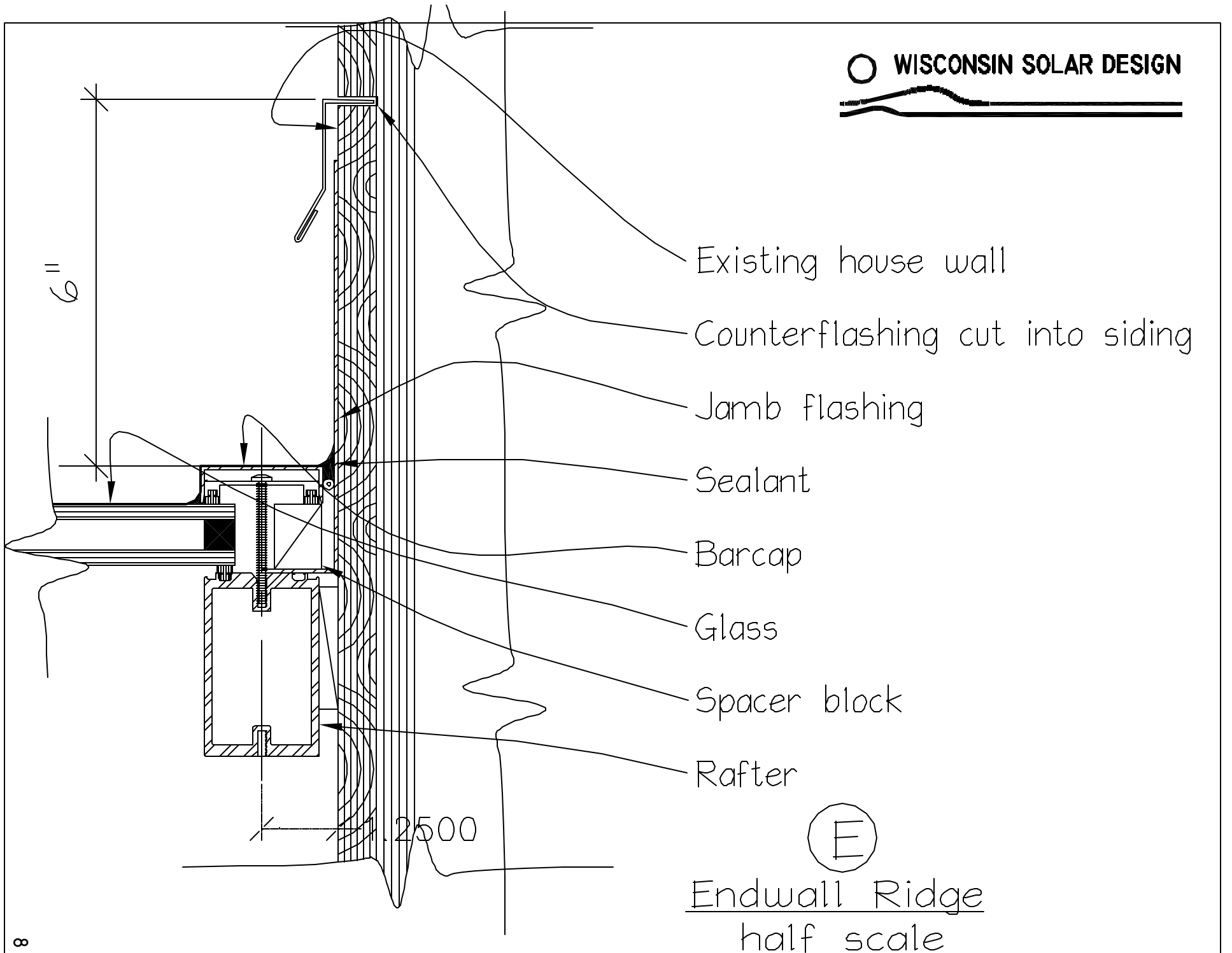


Corner
half scale

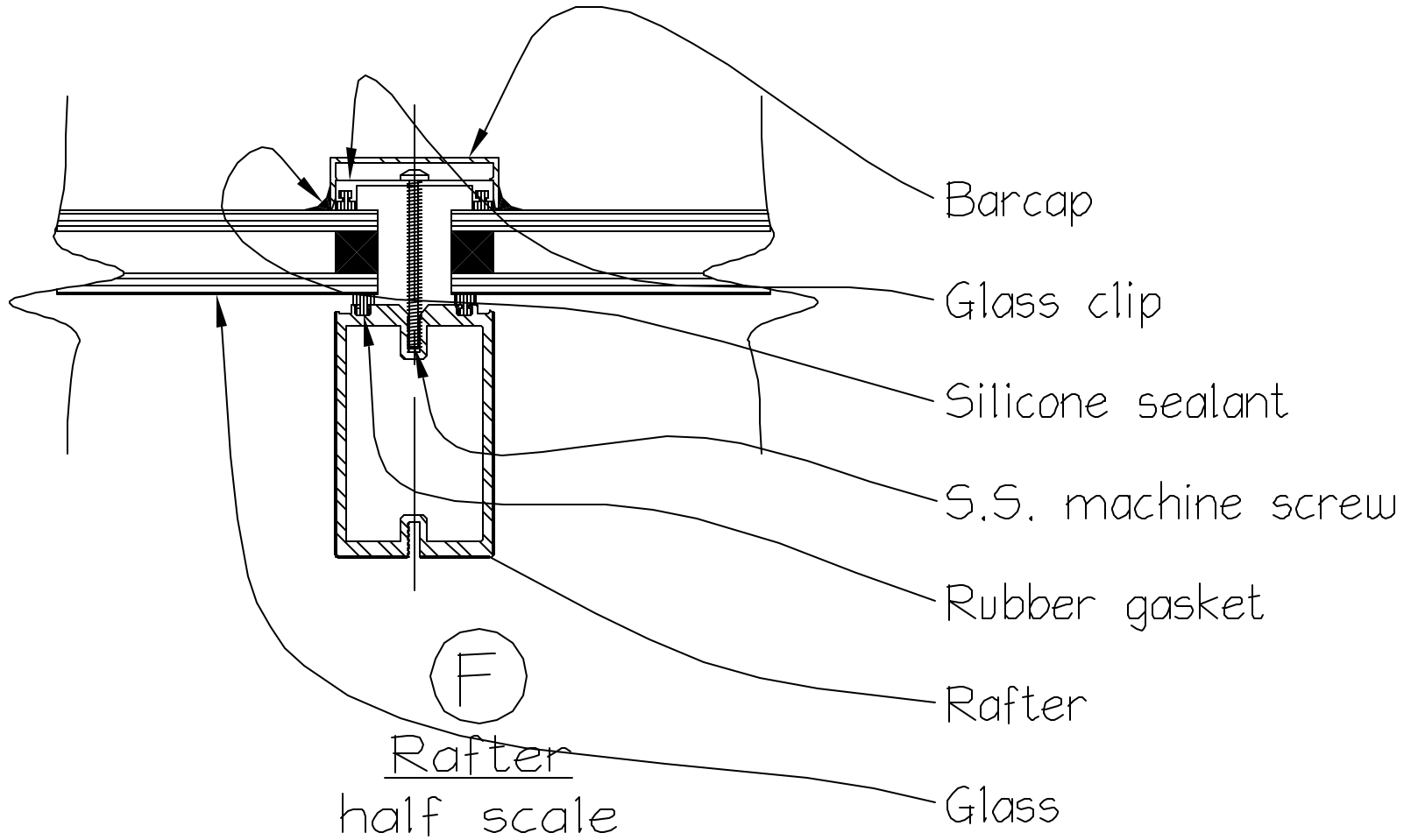
○ WISCONSIN SOLAR DESIGN



○ WISCONSIN SOLAR DESIGN



○ WISCONSIN SOLAR DESIGN



Shingles

Existing drip edge

Existing 2x8 fascia

Existing fascia

Existing gutter

Flashing

Glass

Purlin

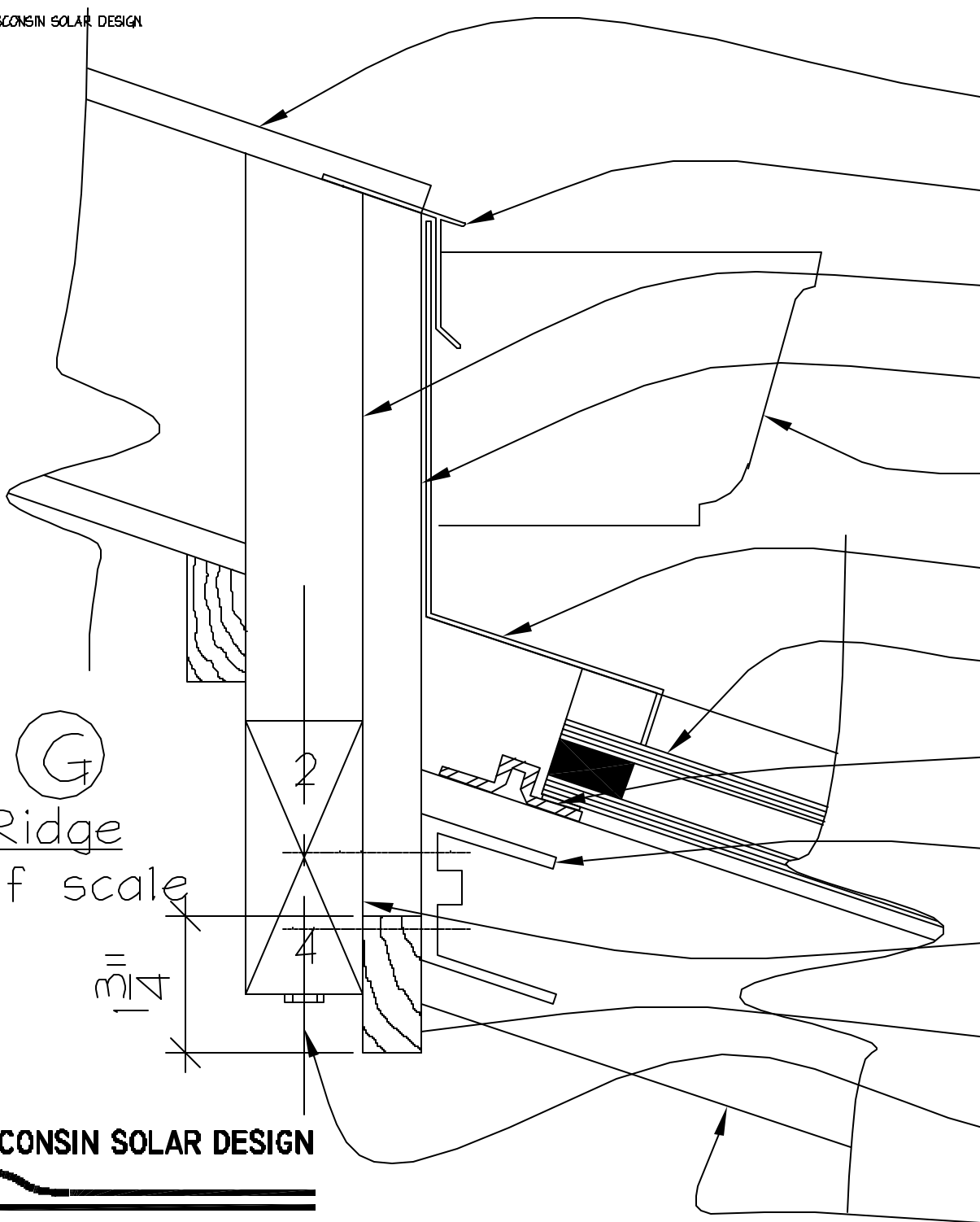
Concealed rafter clip

New p.t. 2x4 by WSD

Extend 1x fascia

5" lag bolts @ 8" o.c.

Solarium



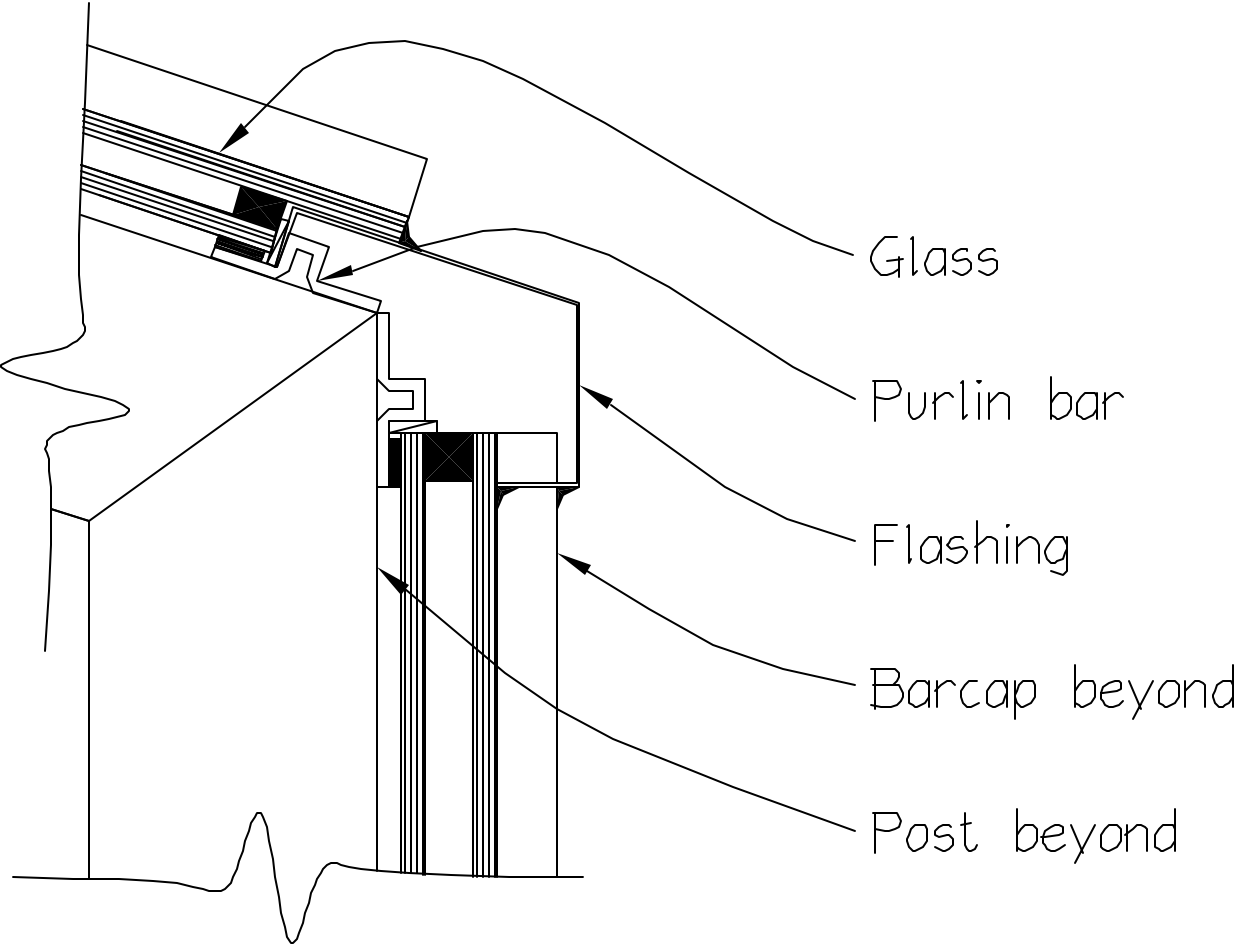
Ⓞ
Ridge
half scale

3 1/4"

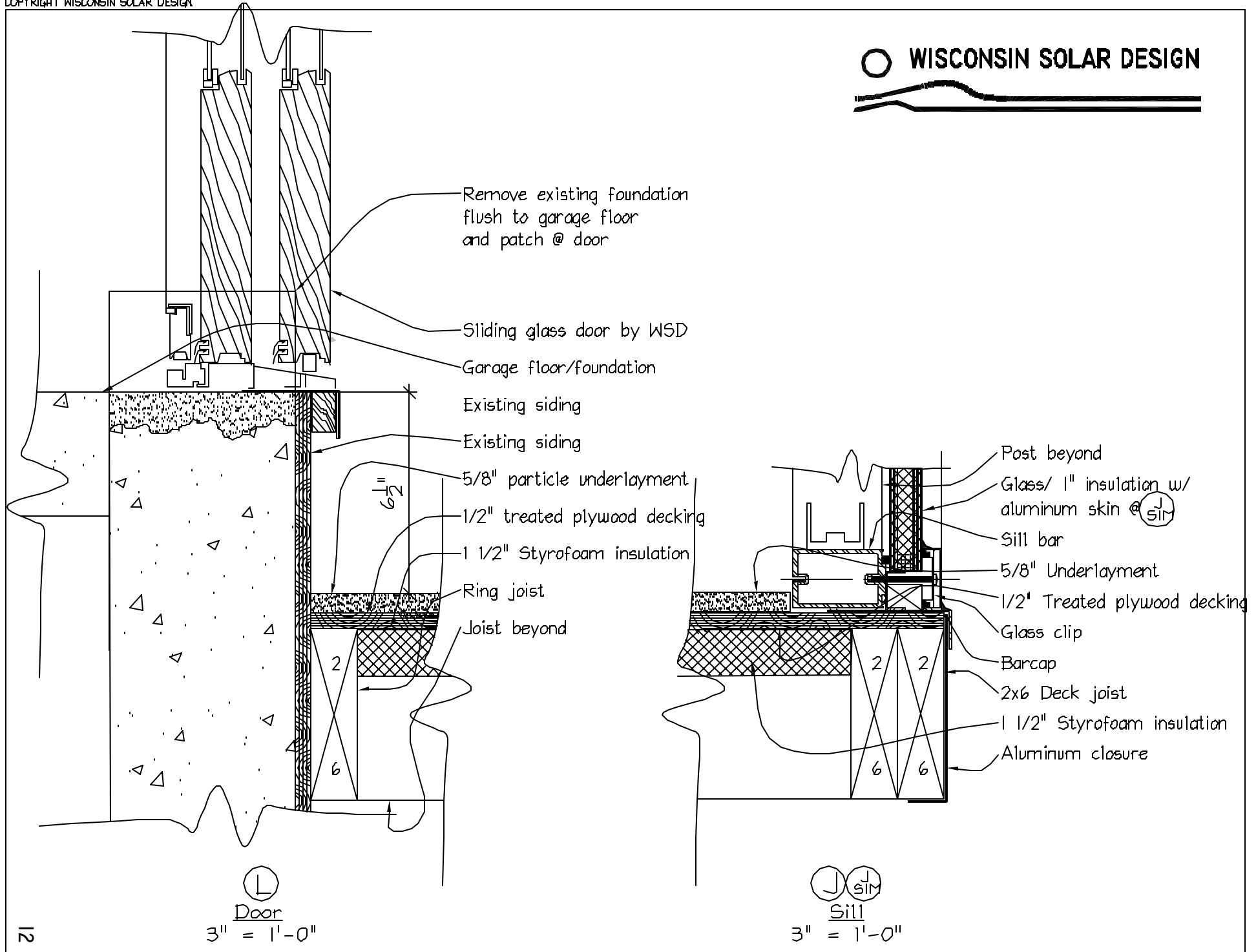
2

4

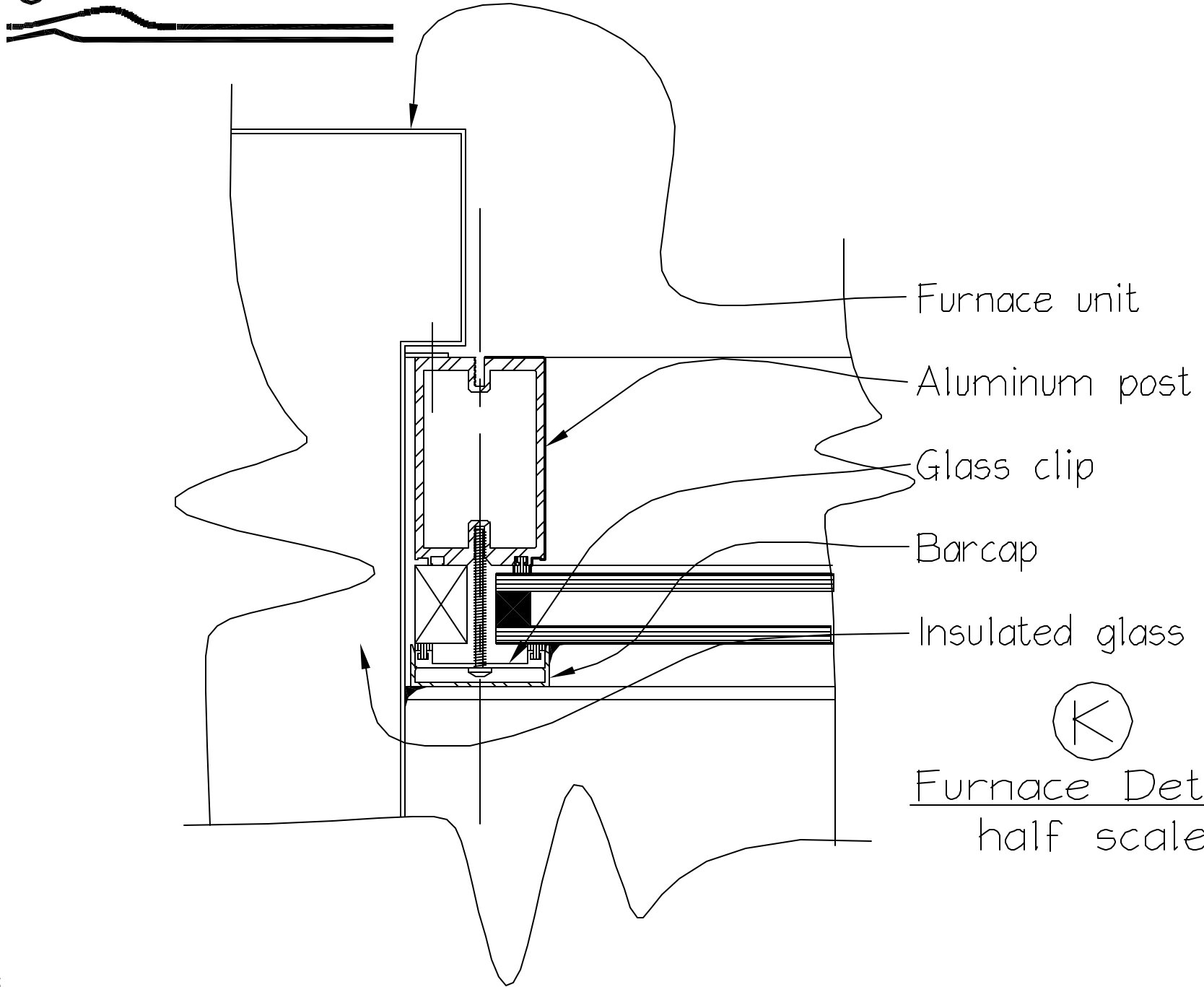
○ WISCONSIN SOLAR DESIGN



Eave
half scale



○ WISCONSIN SOLAR DESIGN



Furnace unit

Aluminum post

Glass clip

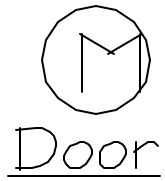
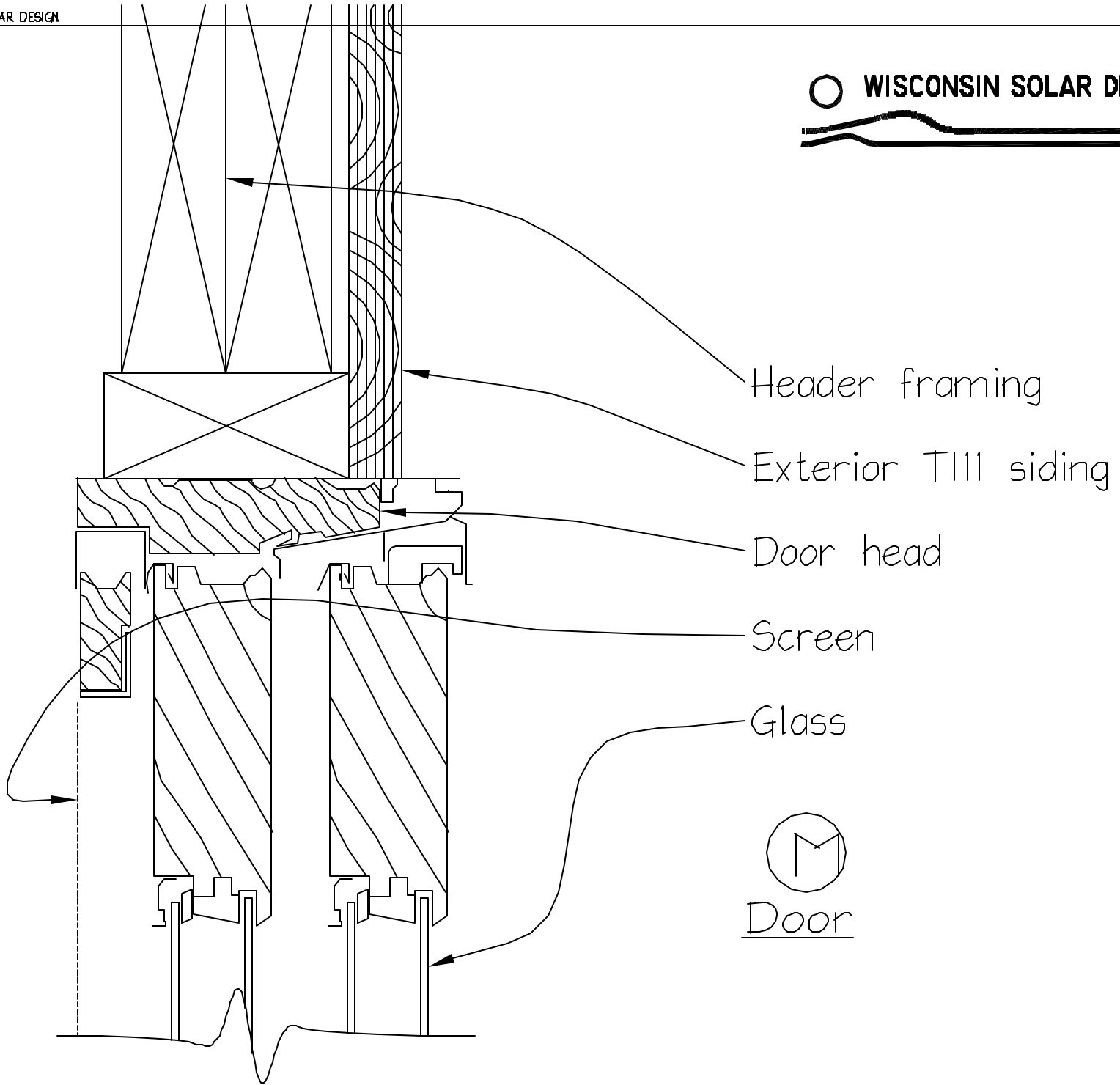
Barcap

Insulated glass

Ⓚ

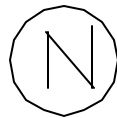
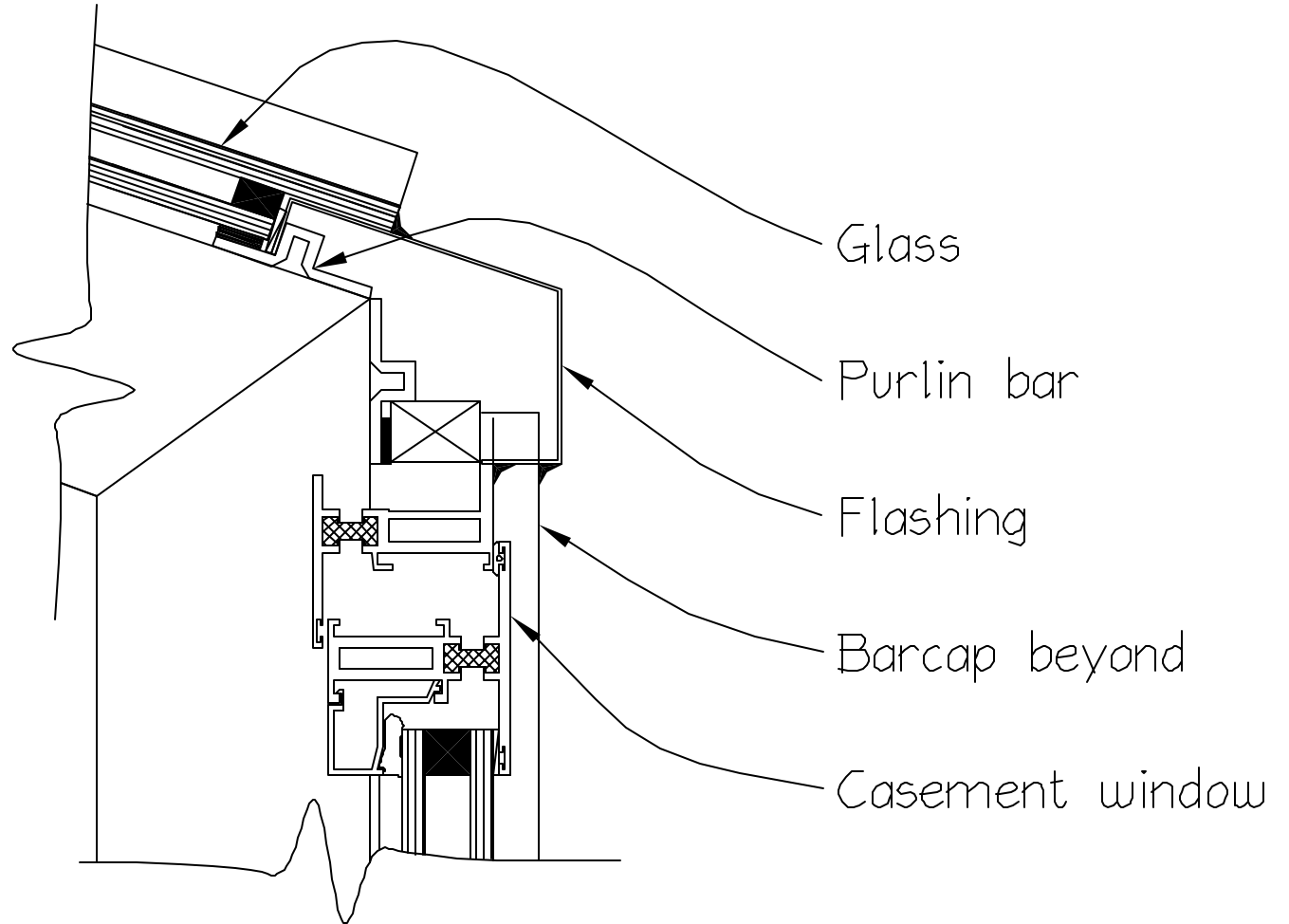
Furnace Detail
half scale

○ WISCONSIN SOLAR DESIGN



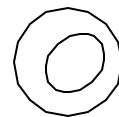
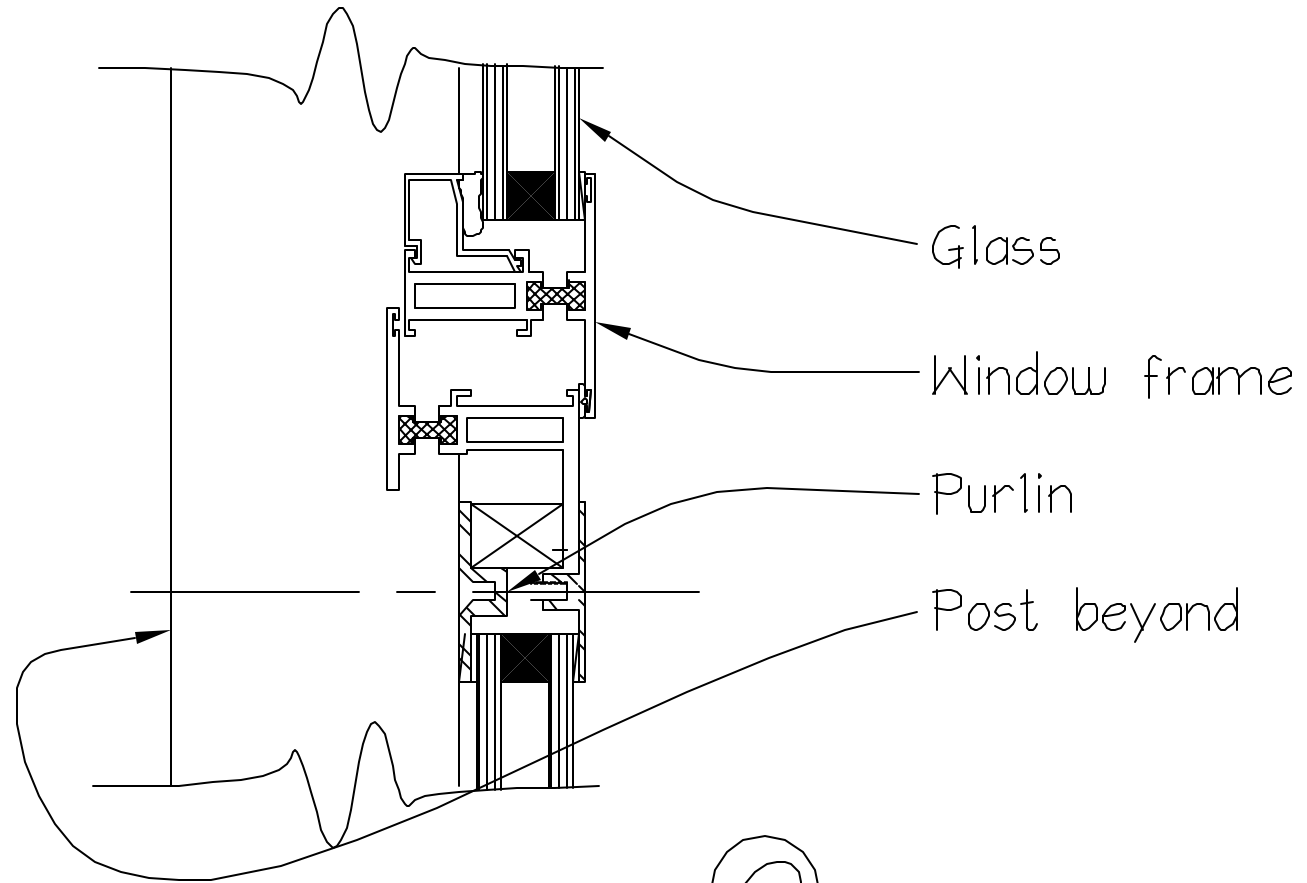
Door

○ WISCONSIN SOLAR DESIGN



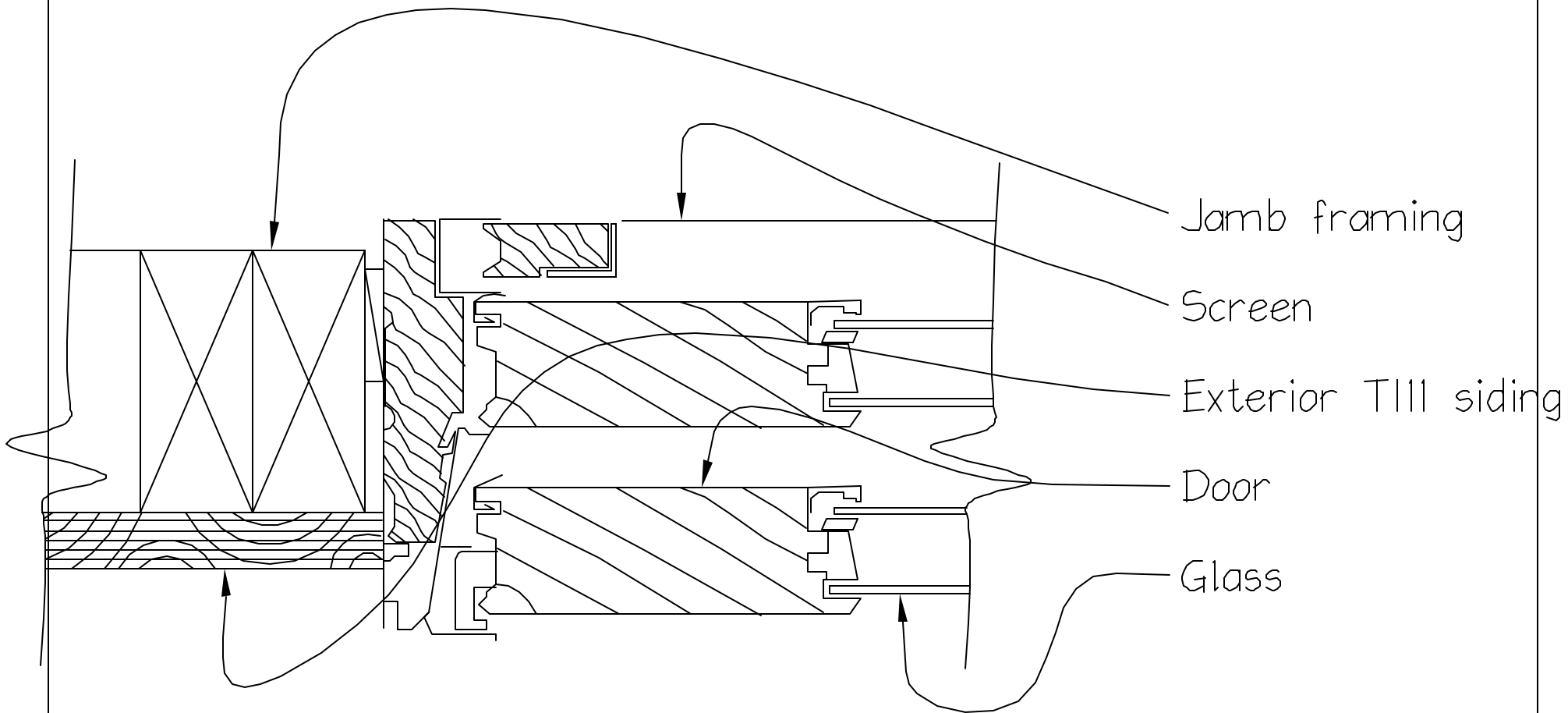
Eave @ Casement
half scale

○ WISCONSIN SOLAR DESIGN



Window sill
half scale

○ WISCONSIN SOLAR DESIGN

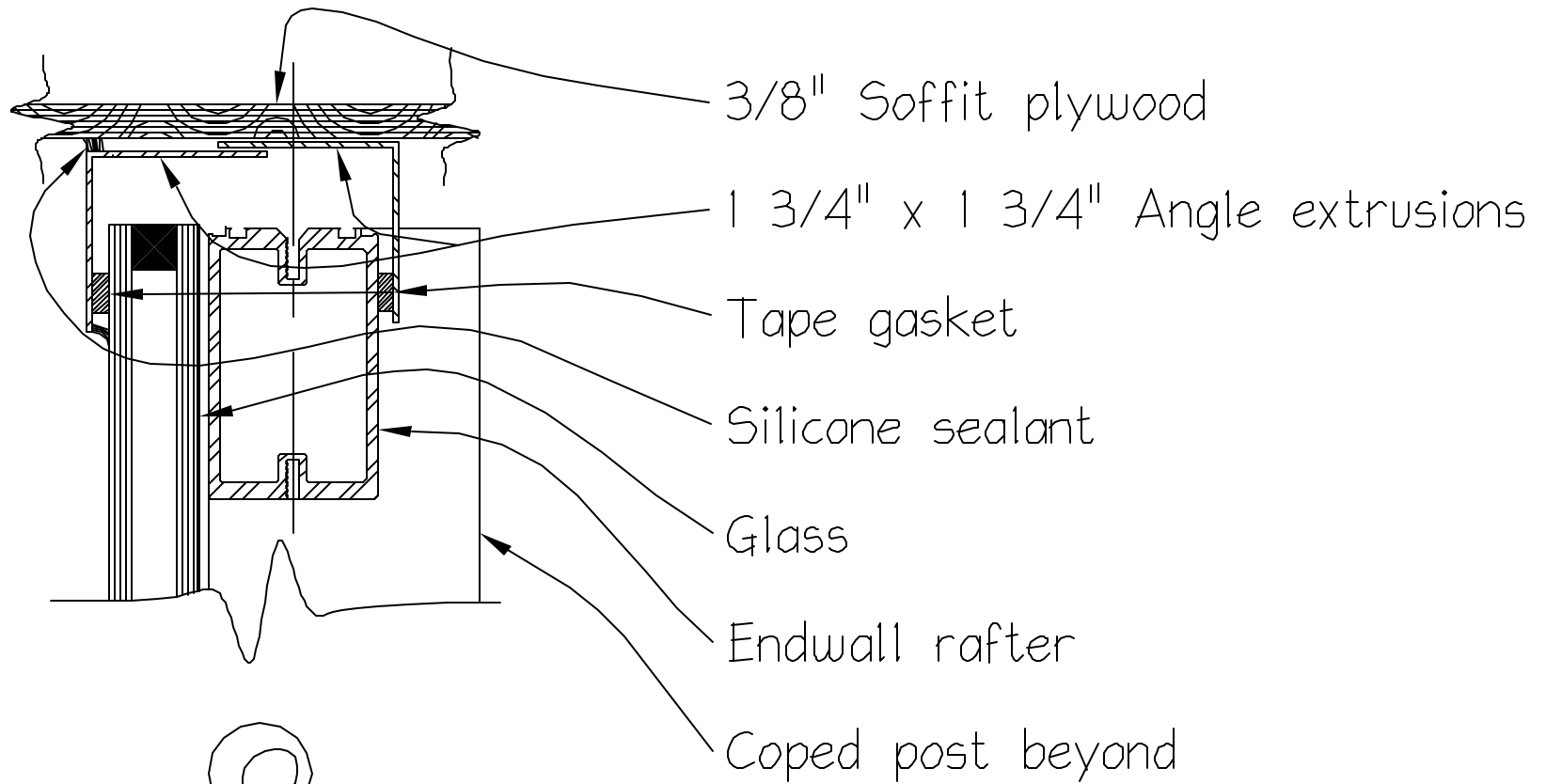


Jamb framing
Screen
Exterior T111 siding
Door
Glass

Ⓟ

Door Jamb
half scale

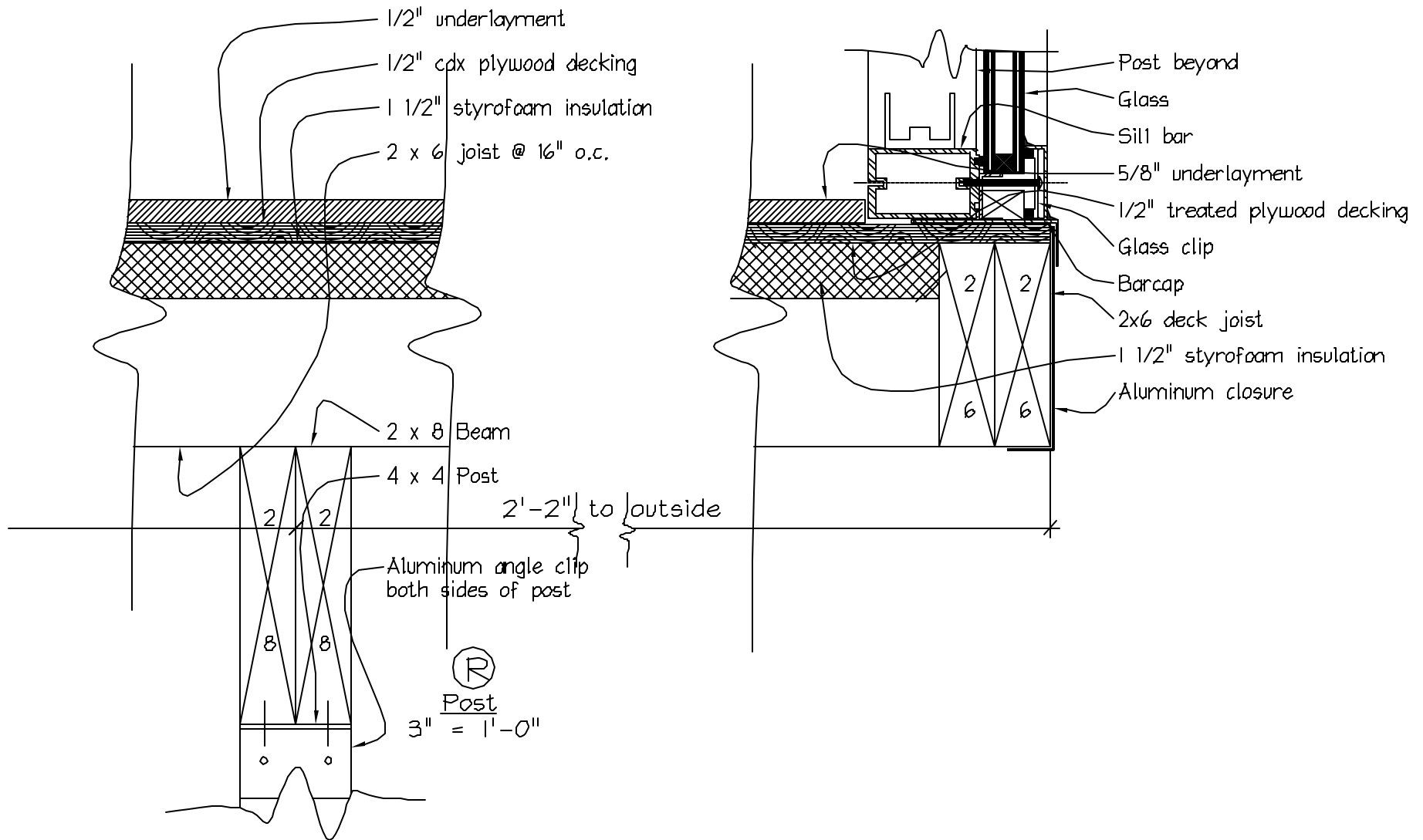
○ WISCONSIN SOLAR DESIGN



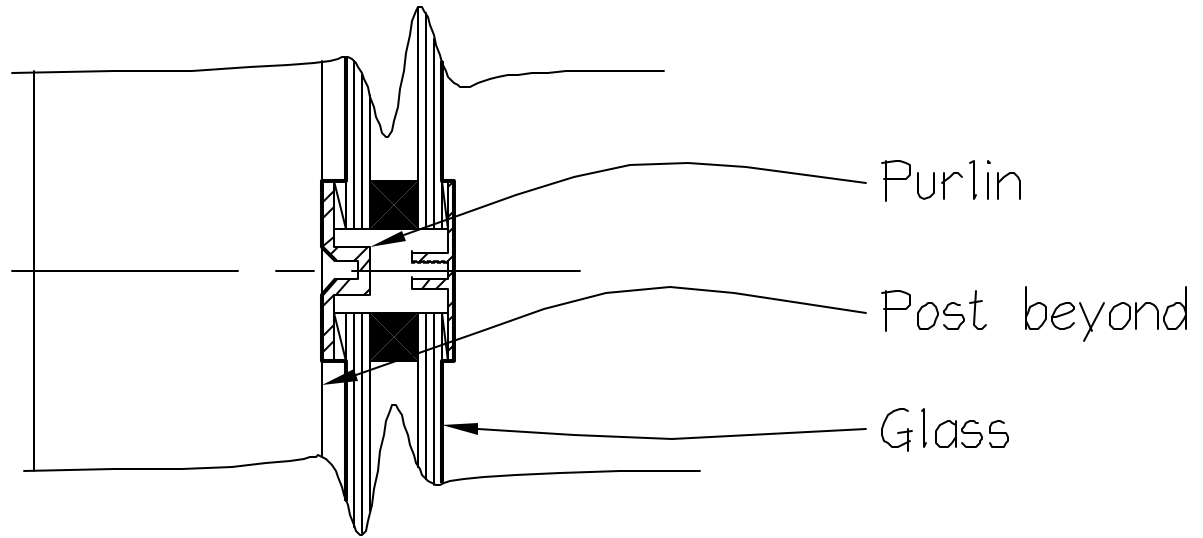
Q

Endwall Ridge
half scale

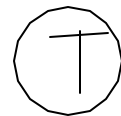
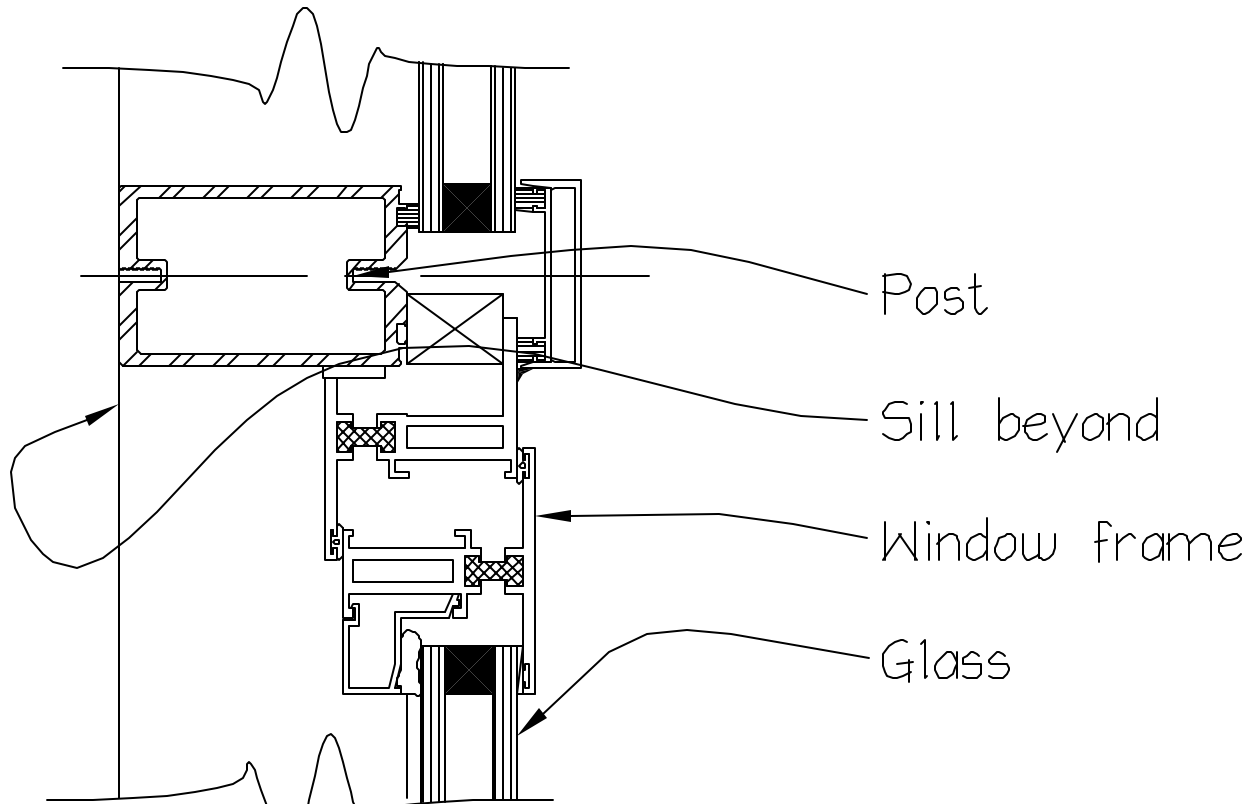
WISCONSIN SOLAR DESIGN



○ WISCONSIN SOLAR DESIGN



Ⓢ
Purlin



Window jamb
half scale