

**FLOOR PLAN**  
 scale: 3/8" = 1'-0"

# SOLARIUM

for  
 Drs. Timothy Allen & Valerie Ahl

**INDEX**

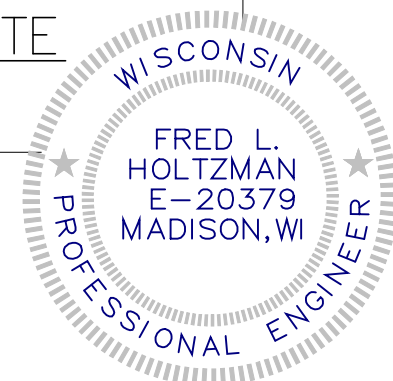
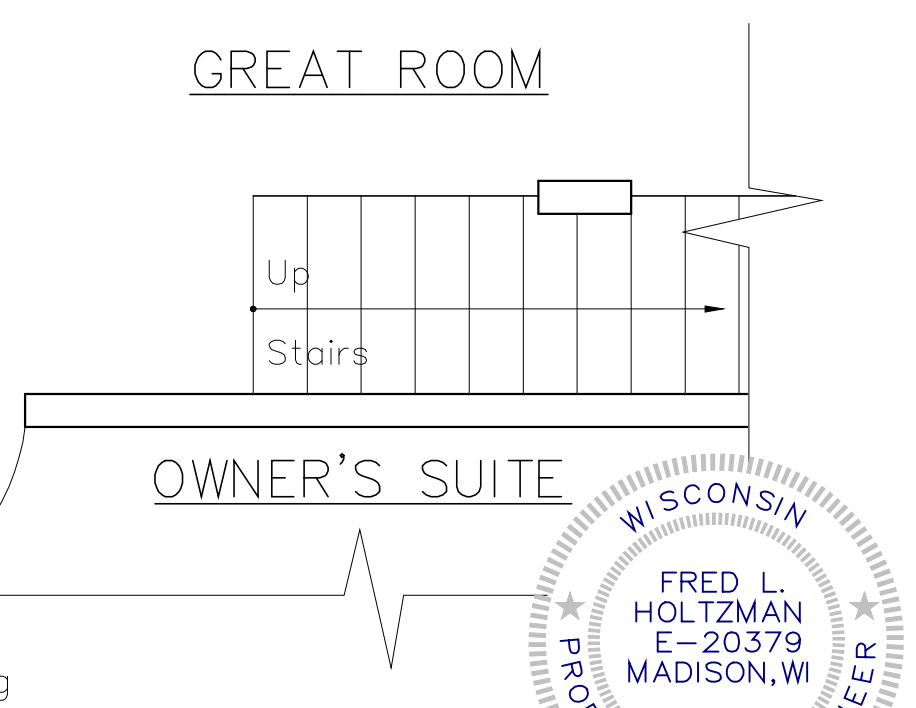
|                                |            |
|--------------------------------|------------|
| 1. Floor plan                  | 4. Details |
| 2. Elevations                  | 5. Details |
| 3. Cross-section/<br>Elevation | 6. Details |

**DRAWING APPROVAL:** We have reviewed these drawings and approve their use for construction of the solarium. Any comments or suggestions have been added to the drawings.

Authorization by owners:

owner: \_\_\_\_\_ date \_\_\_\_\_

owner: \_\_\_\_\_ date \_\_\_\_\_



Drawn by: Jorge M. Medina

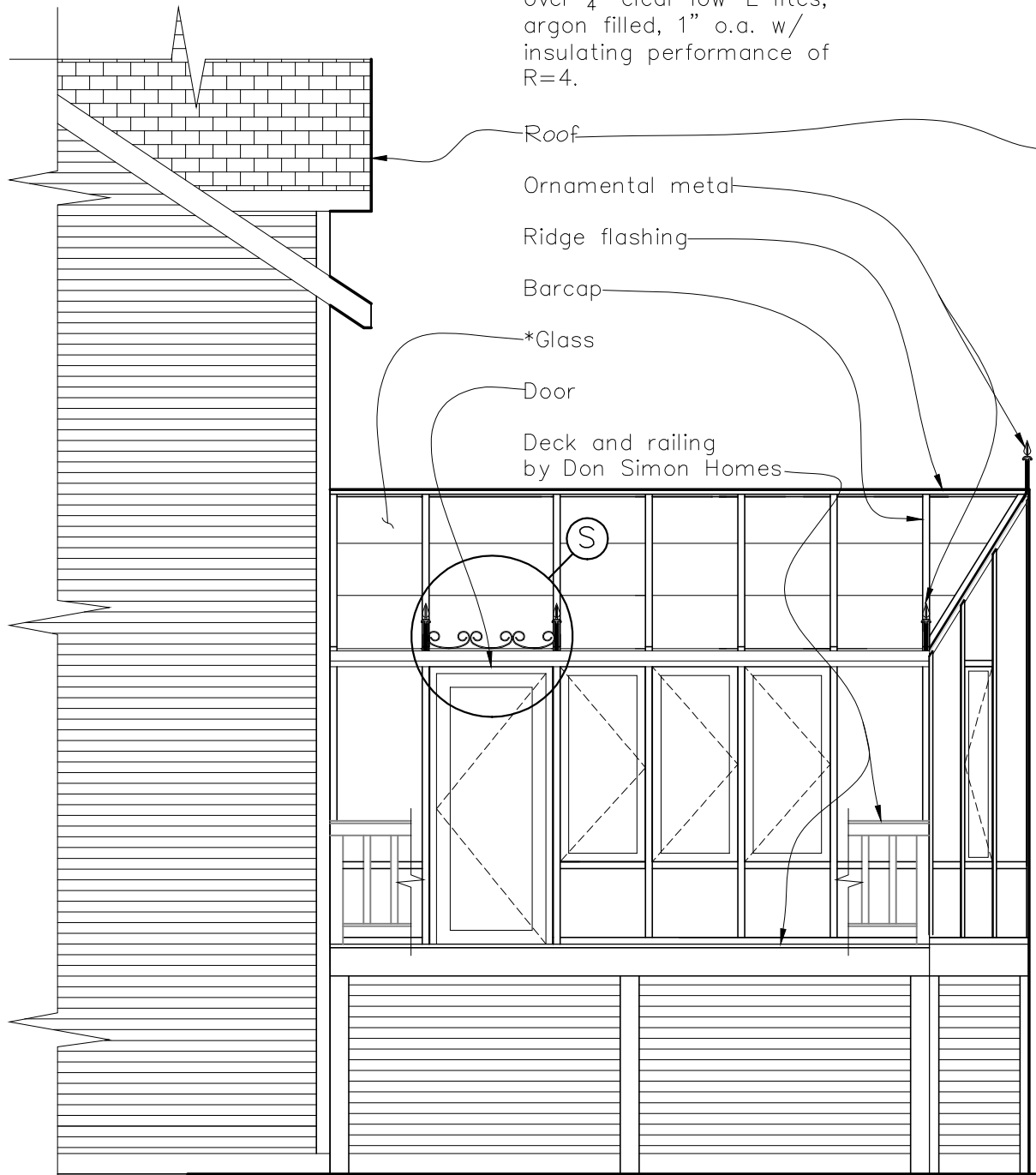
Manufacturer and installer:  
**OWISCONSIN SOLAR DESIGN**  
 6349 Briarcliff Ln., Middleton, WI 53562

Builder:  
 Don Simon Homes  
 2800 Royal Ave. Ste. 210  
 Madison, WI 53713

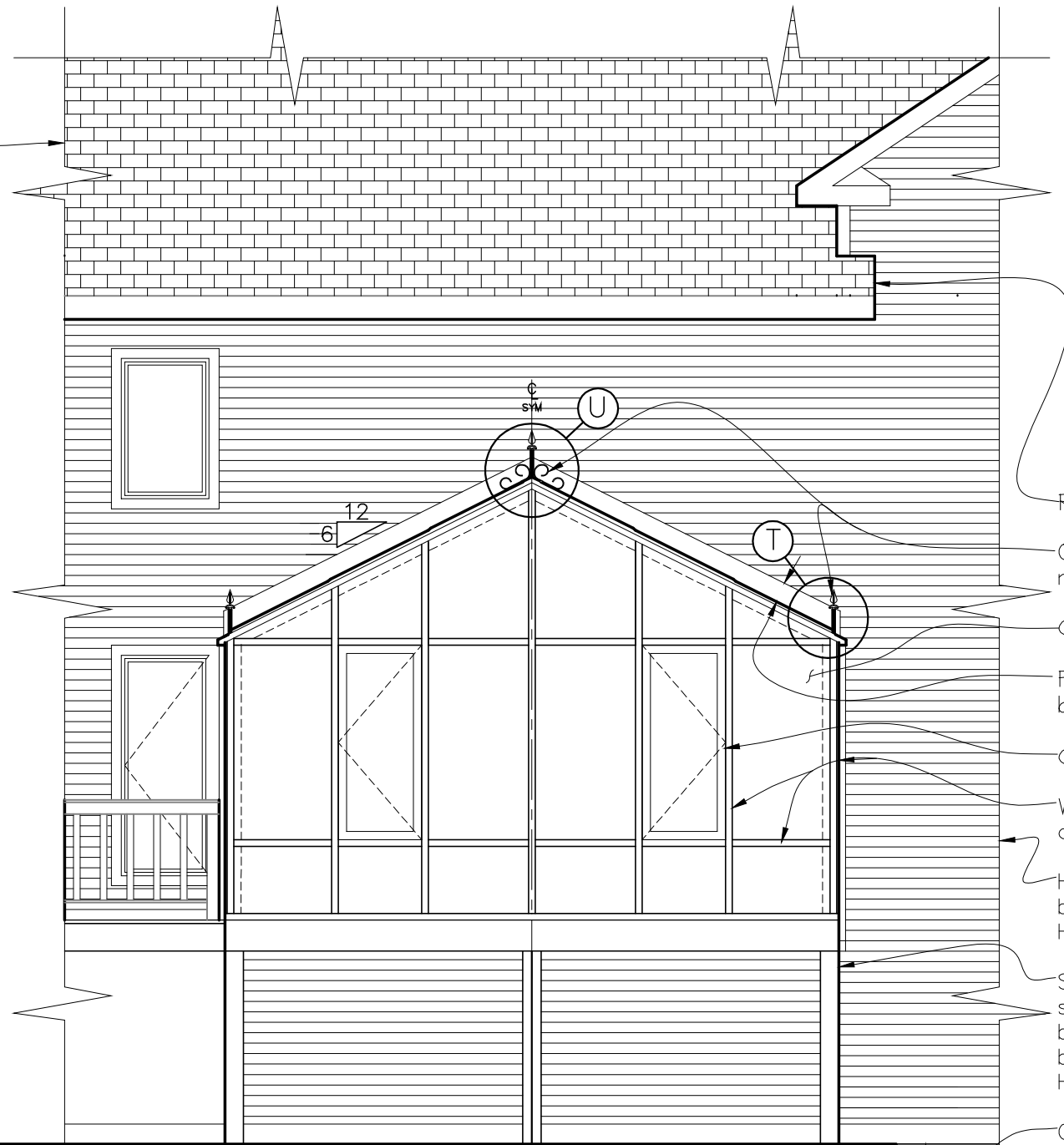
Owners:  
 Drs. Timothy Allen & Valerie Ahl  
 4333 Hwy. 138  
 Oregon, WI 53575

\*Roof glass, bottom wall glass and door lite consisting of:  
 Insulated glass w/ 1/4" clear over 1/4" clear tempered low-E lites, argon filled, 1" o.a. w/ insulating performance of R=4.

\*Wall glass consisting of:  
 Insulated glass w/ 1/4" clear over 1/4" clear low-E lites, argon filled, 1" o.a. w/ insulating performance of R=4.



EAST ELEVATION  
 scale: 1/4" = 1'-0"



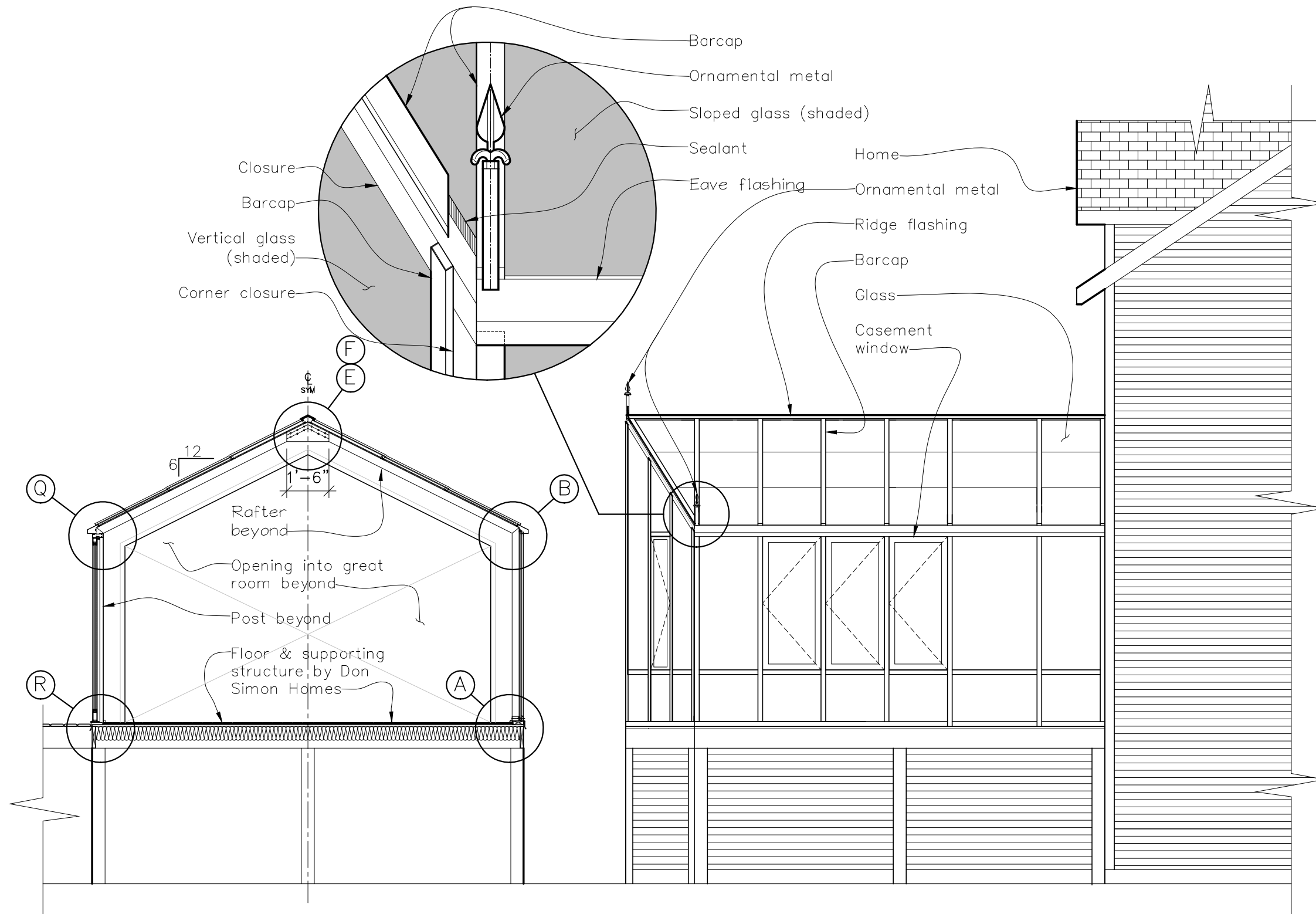
SOUTH ELEVATION  
 scale: 1/4" = 1'-0"

Manufacturer and installer:  
**OWISCONSIN SOLAR DESIGN**  
 6349 Briarcliff Ln., Middleton, WI 53562

Builder:  
 Don Simon Homes  
 2800 Royal Ave. Ste. 210  
 Madison, WI 53713

Owners:  
 Drs. Timothy Allen & Valerie Ahl  
 4333 Hwy. 138  
 Oregon, WI 53575

2 of 6  
 Issued:  
 1/22/02



① CROSS-SECTION  
scale: 1/4" = 1'-0"

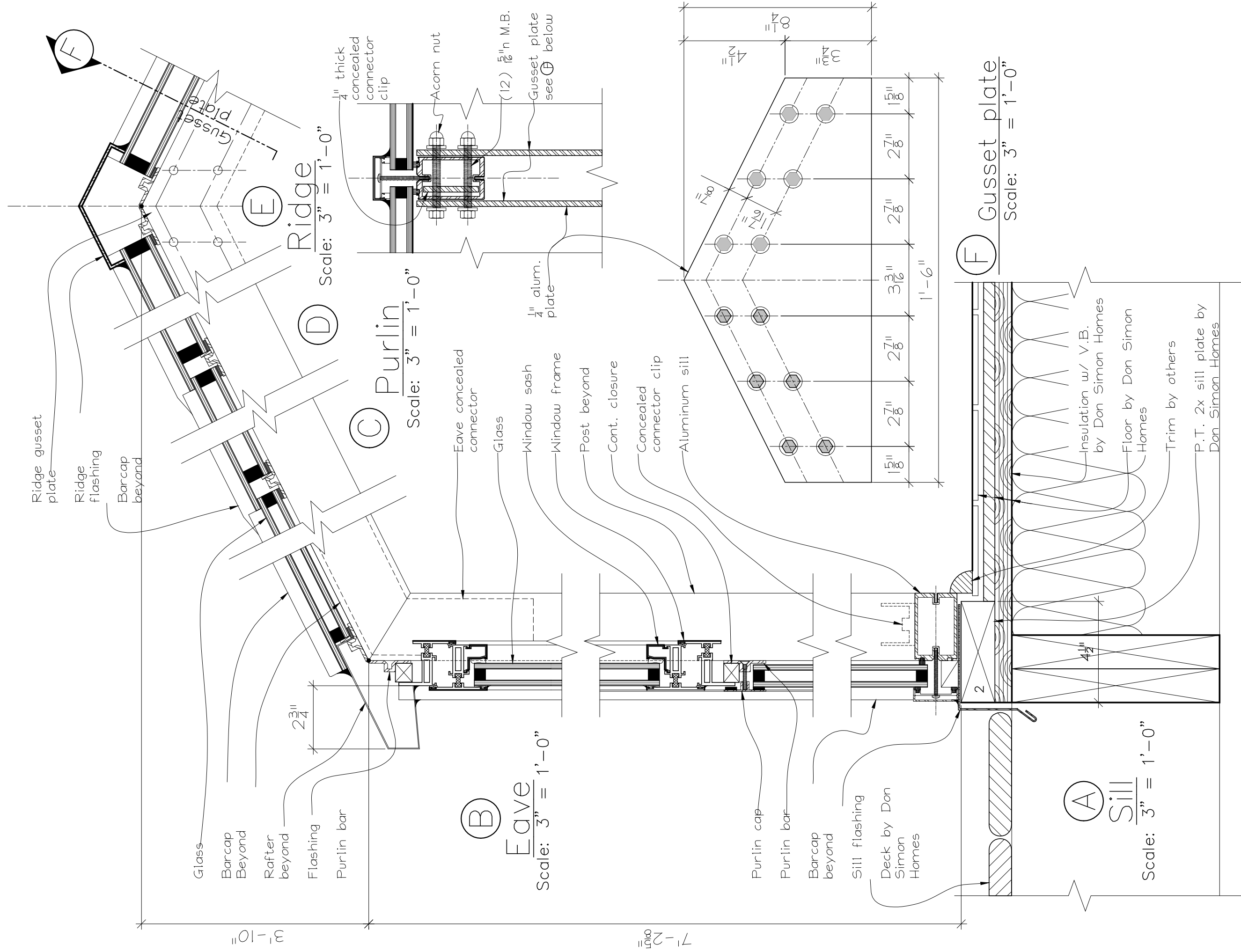
WEST ELEVATION  
scale: 1/4" = 1'-0"

Manufacturer and installer:  
**WISCONSIN SOLAR DESIGN**  
6349 Briarcliff Ln., Middleton, WI 53562

Builder:  
Don Simon Homes  
2800 Royal Ave. Ste. 210  
Madison, WI 53713

Owners:  
Drs. Timothy Allen & Valerie Ahl  
4333 Hwy. 138  
Oregon, WI 53575

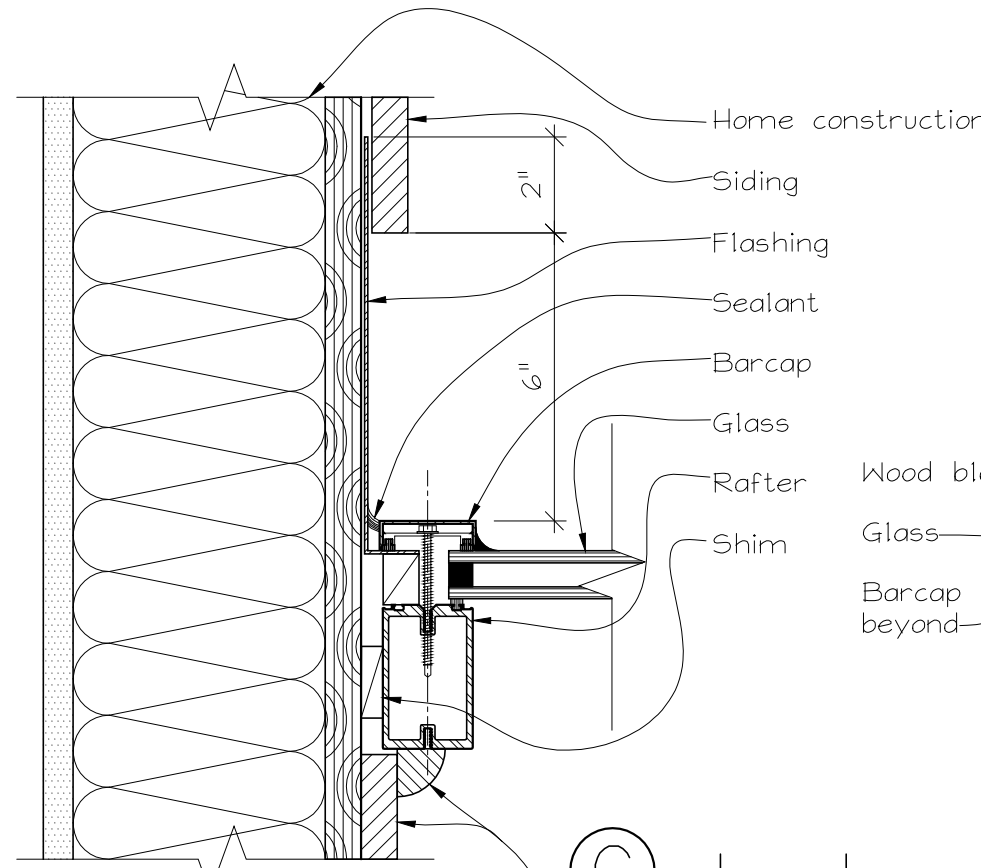
3 of 6  
Issued:  
1.22.02



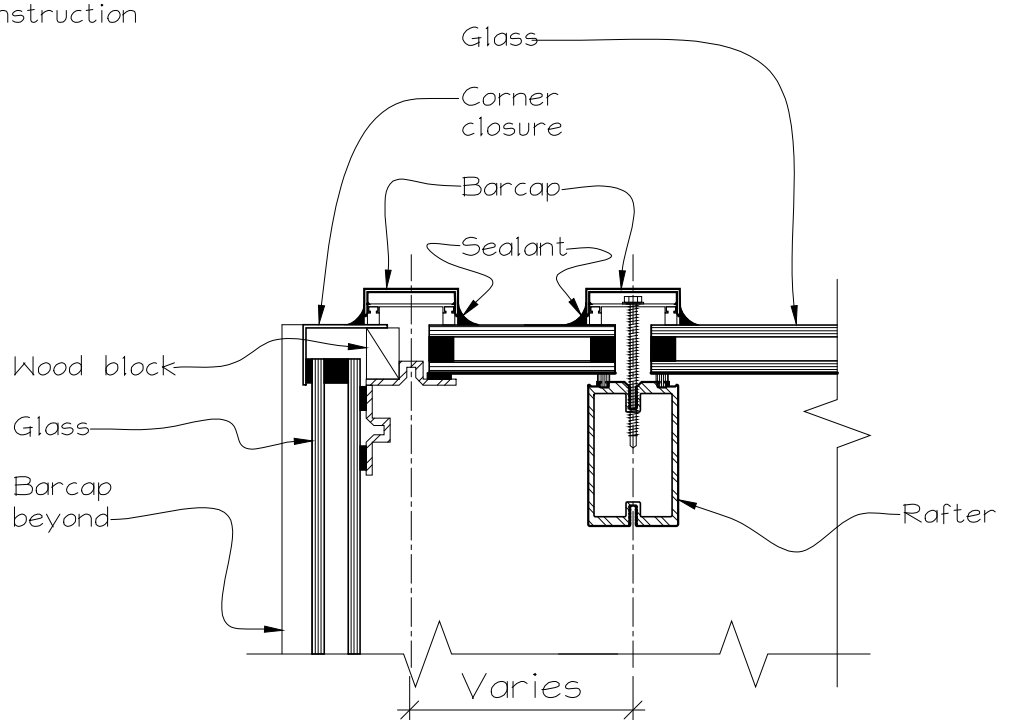
Owners:  
 Drs. Timothy Allen & Valerie Ahl  
 4333 Hwy. 138  
 Oregon, WI 53575

Builder:  
 Don Simon Homes  
 2800 Royal Ave. Ste. 210  
 Madison, WI 53713

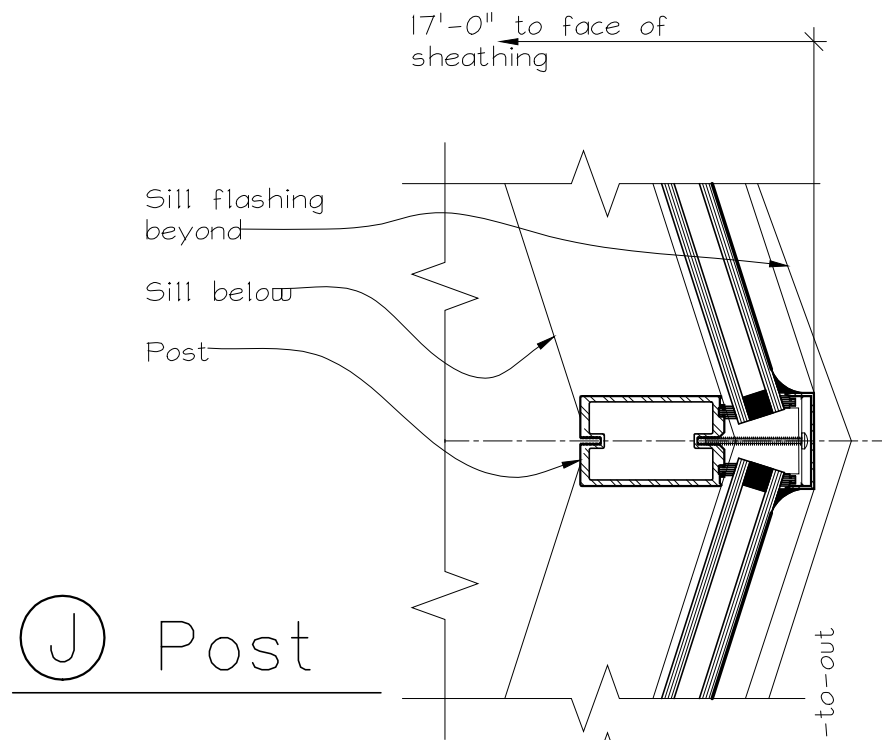
Manufacturer and installer:  
**WISCONSIN SOLAR DESIGN**  
 6349 Briarcliff Ln., Middleton, WI 53562



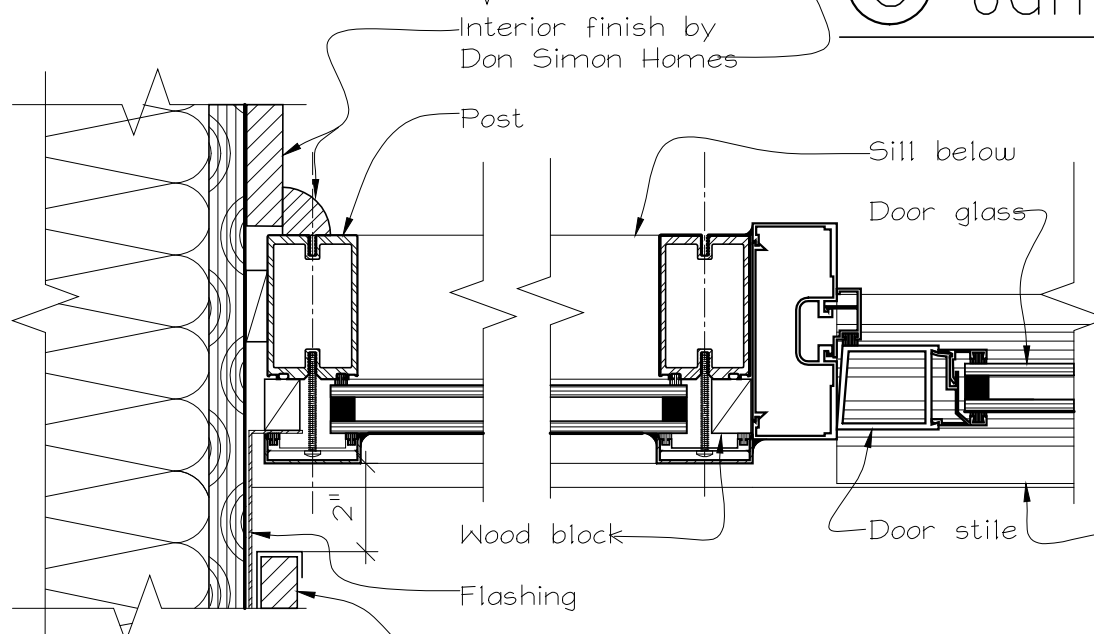
ⓐ Jamb



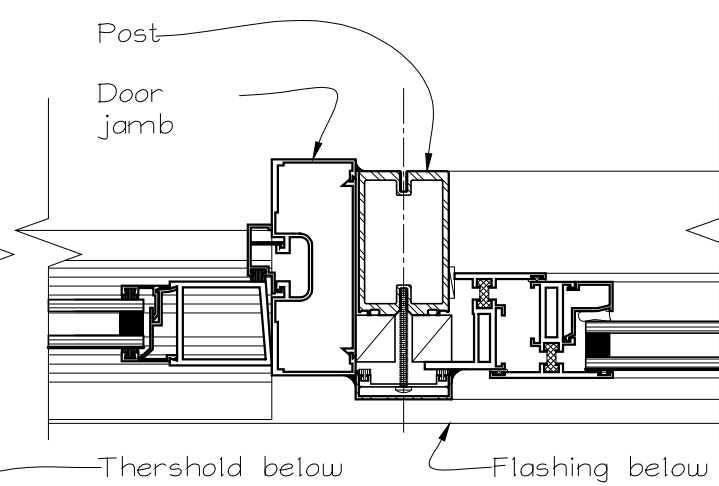
ⓓ Roof corner



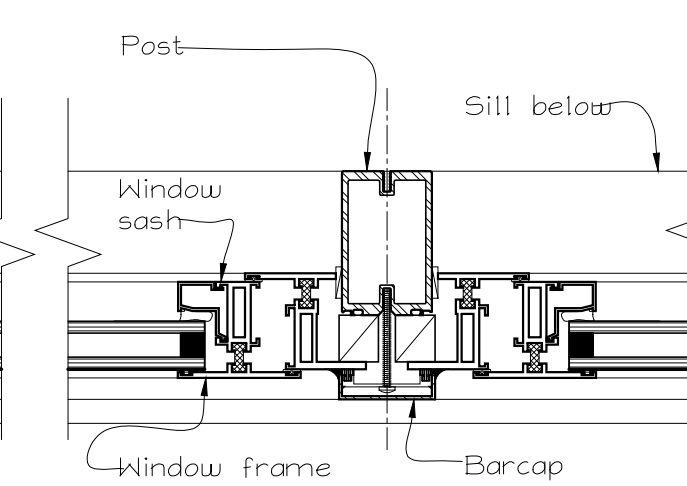
ⓑ Post



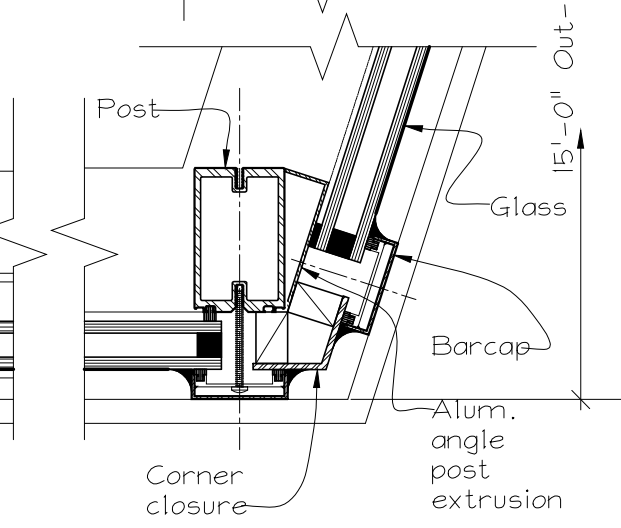
ⓓ Jamb



ⓔ Door



ⓕ Door



ⓖ Window

ⓗ Corner

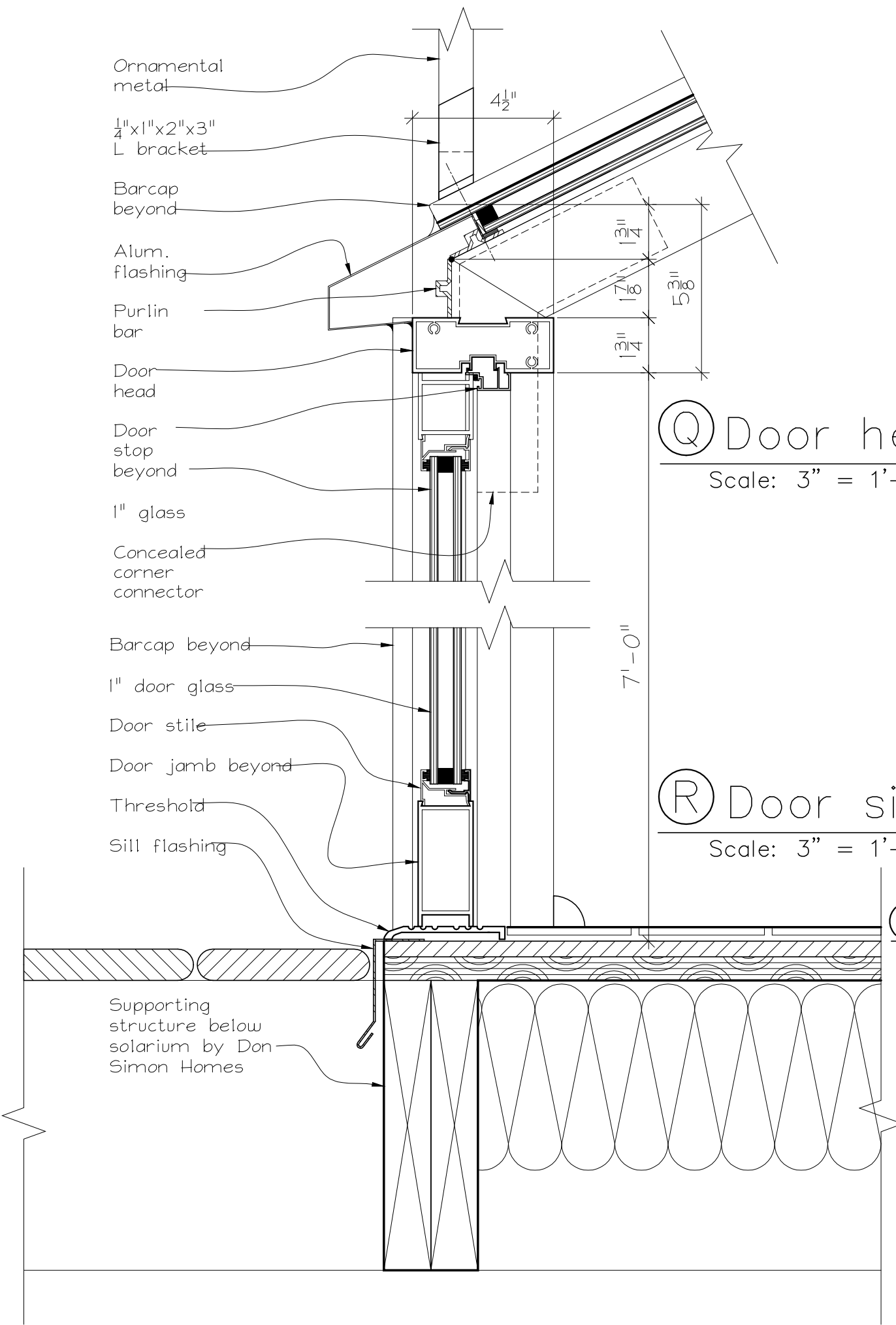
Scale: 3" = 1'-0"

Owners:  
Drs. Timothy Allen & Valerie Ahl  
4333 Hwy. 138  
Oregon, WI 53575

Builder:  
Don Simon Homes  
2800 Royal Ave. Ste. 210  
Madison, WI 53713

Manufacturer and installer:  
**WISCONSIN SOLAR DESIGN**  
6349 Briarcliff Ln., Middleton, WI 53562

5 of 6  
Issued:  
1.22.02



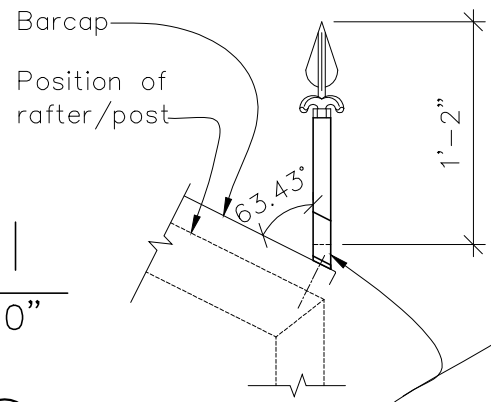
**Q** Door head

Scale: 3" = 1'-0"

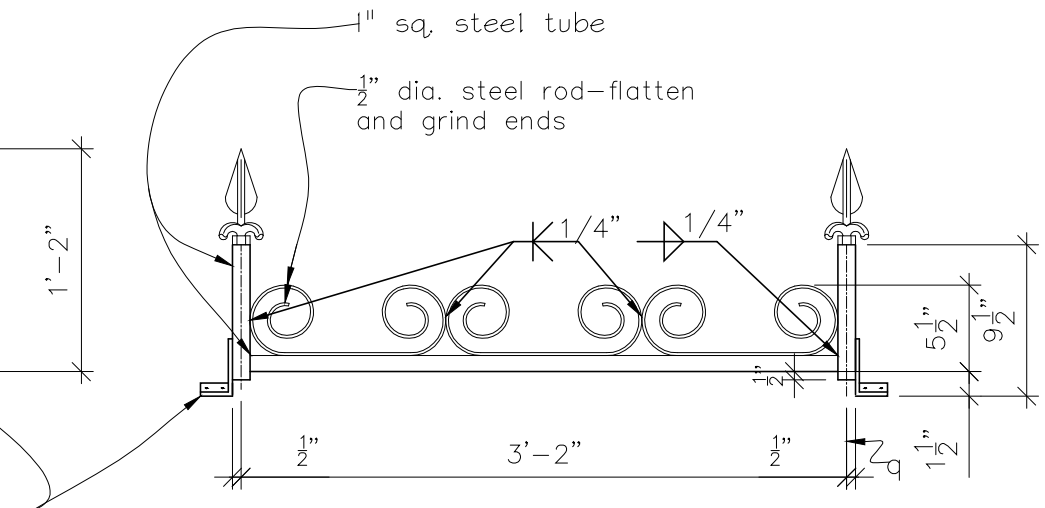
**R** Door sill

Scale: 3" = 1'-0"

**T** End elevation  
(2) THUS



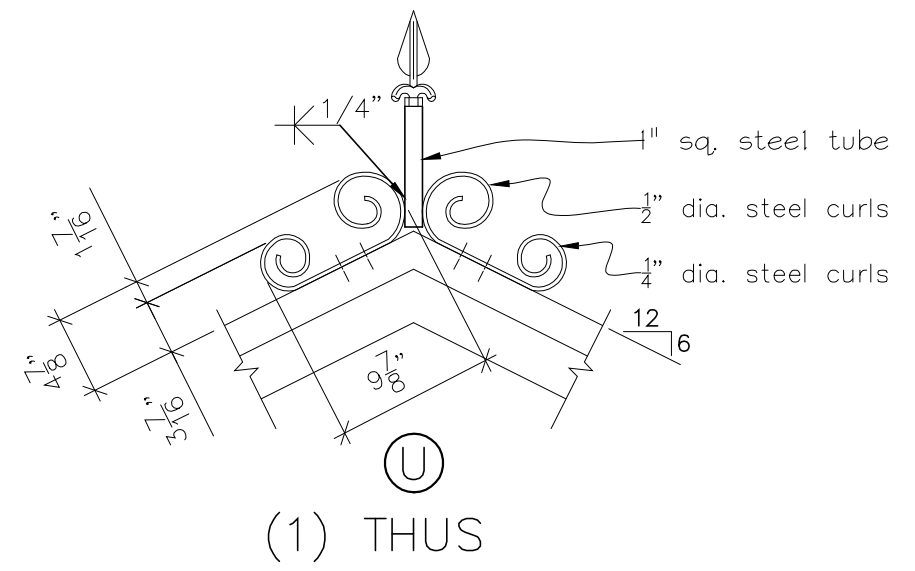
**S** Front elevation  
(1) THUS



**Ornamental metal**

Scale: 1" = 1'-0"

Prime and provide three coats of white paint on all metal similar to sample chip provided.



Manufacturer and installer:  
**WISCONSIN SOLAR DESIGN**  
 6349 Briarcliff Ln., Middleton, WI 53562

Builder:  
 Don Simon Homes  
 2800 Royal Ave. Ste. 210  
 Madison, WI 53713

Owners:  
 Drs. Timothy Allen & Valerie Ahl  
 4333 Hwy. 138  
 Oregon, WI 53575

6 of 6  
 Issued:  
 1.18.02