



WISCONSIN SOLAR DESIGN

SKYLIGHTS

GREENHOUSES

SOLARIUMS

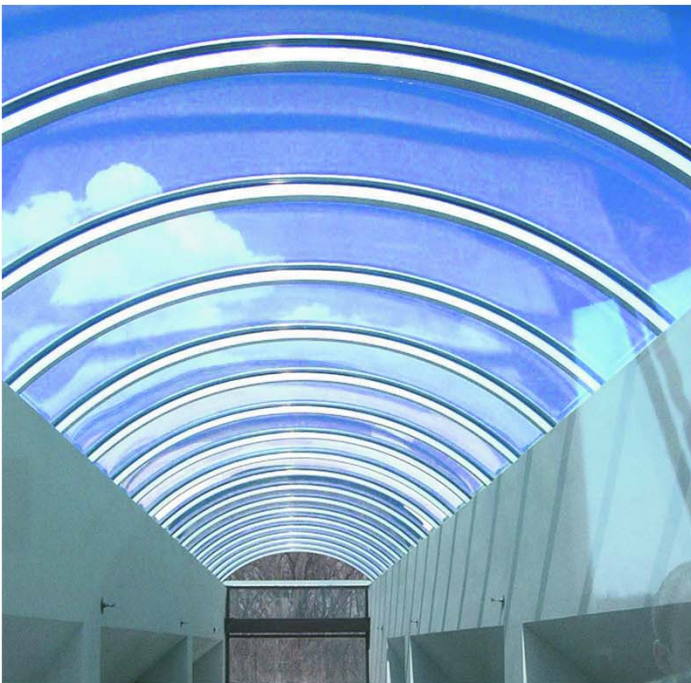
SKYLIGHT DETAIL MANUAL



GABLE



PYRAMID



BARREL VAULT

6349 Briarcliff Ln., Middleton, WI 53562
Phones (800) 443-1639, (608) 831-2112
Fax (608) 836-5933 or (608) 233-1003
Website: www.wisconsinsolardesign.com

SKYLIGHT DETAIL MANUAL

CONTENTS

Drawings

Pyramid Skylight 2

Ridge Skylight 3

Details

Rafter 4

Purlin 5

Hip 6

Ridge 7

Corner 8

Sill 9

Sill 10

Drawings

Barrel Vault Skylight 11

Barrel Vault Skylight 12

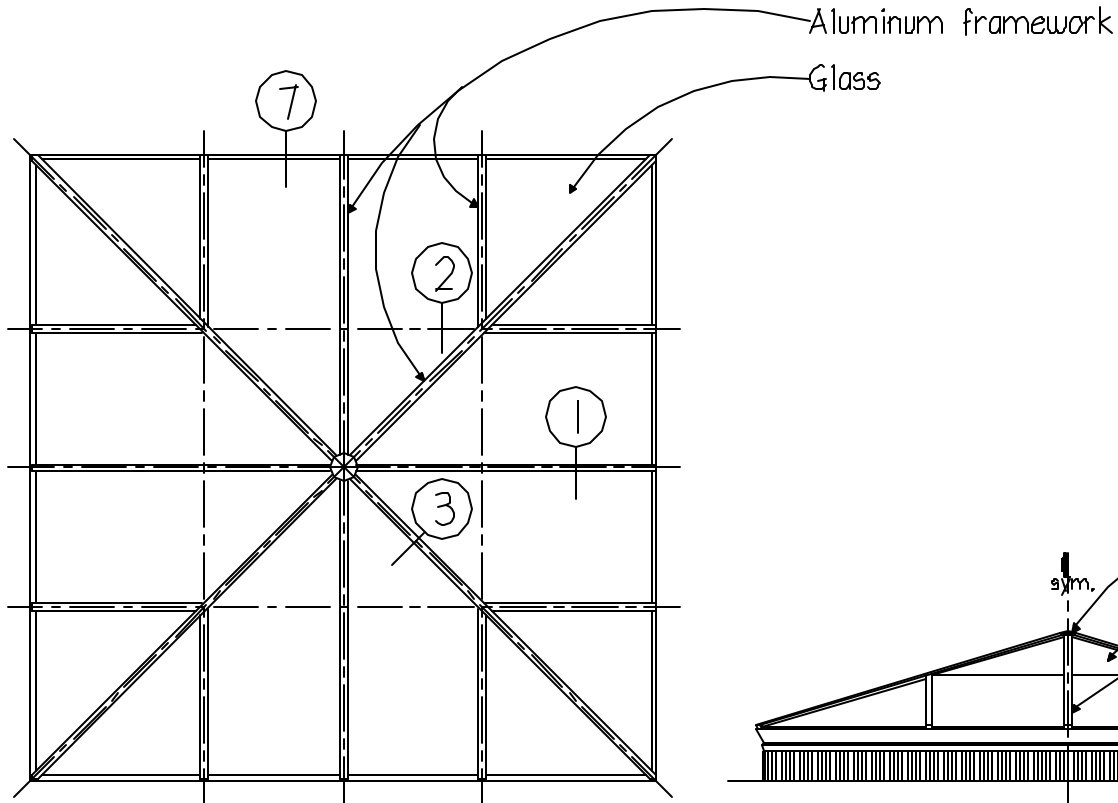
Details

Rafter 13

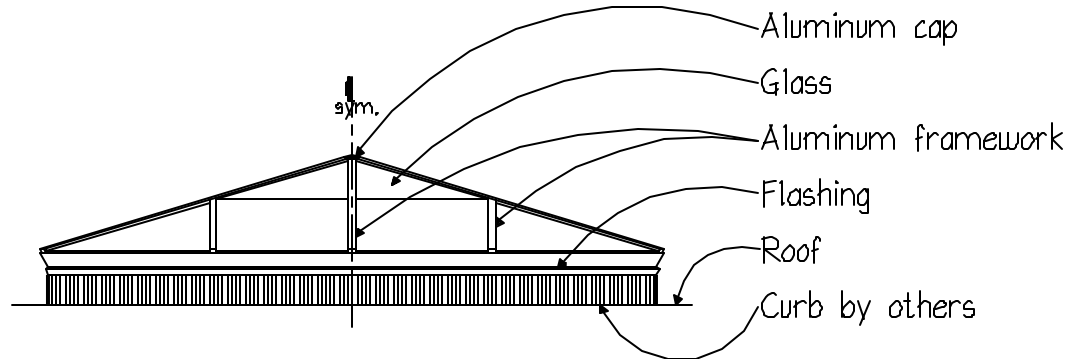
Corner 14

Sill 15

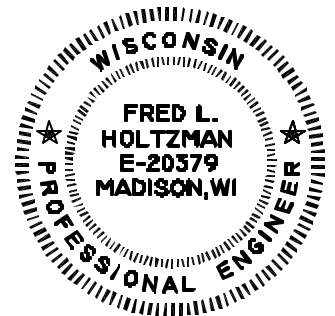
○ WISCONSIN SOLAR DESIGN



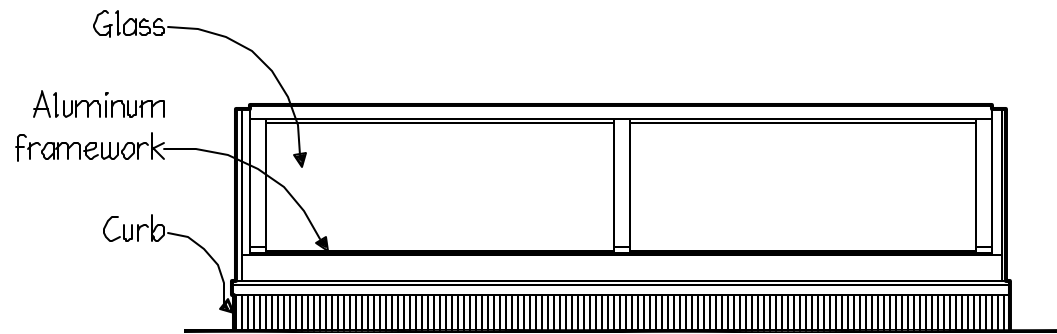
Top view
Scale: $\frac{1}{4}'' = 1'-0''$



Elevation
Scale: $\frac{1}{4}'' = 1'-0''$

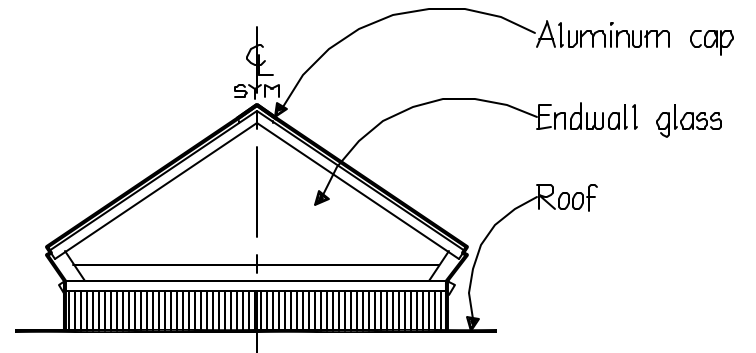


WISCONSIN SOLAR DESIGN



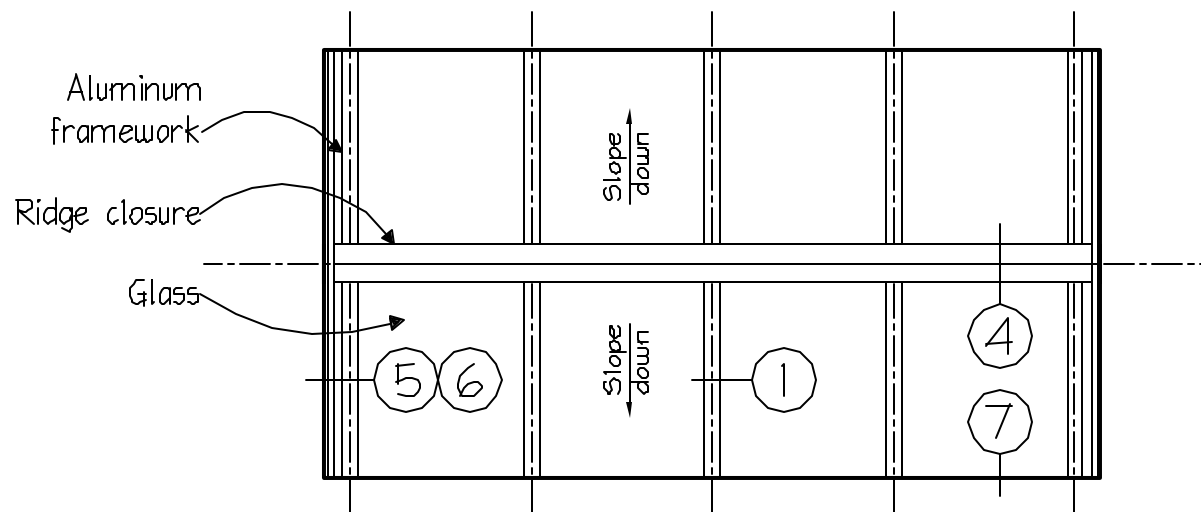
Side Elevation

Scale: $\frac{1}{2}'' = 1'-0''$



End Elevation

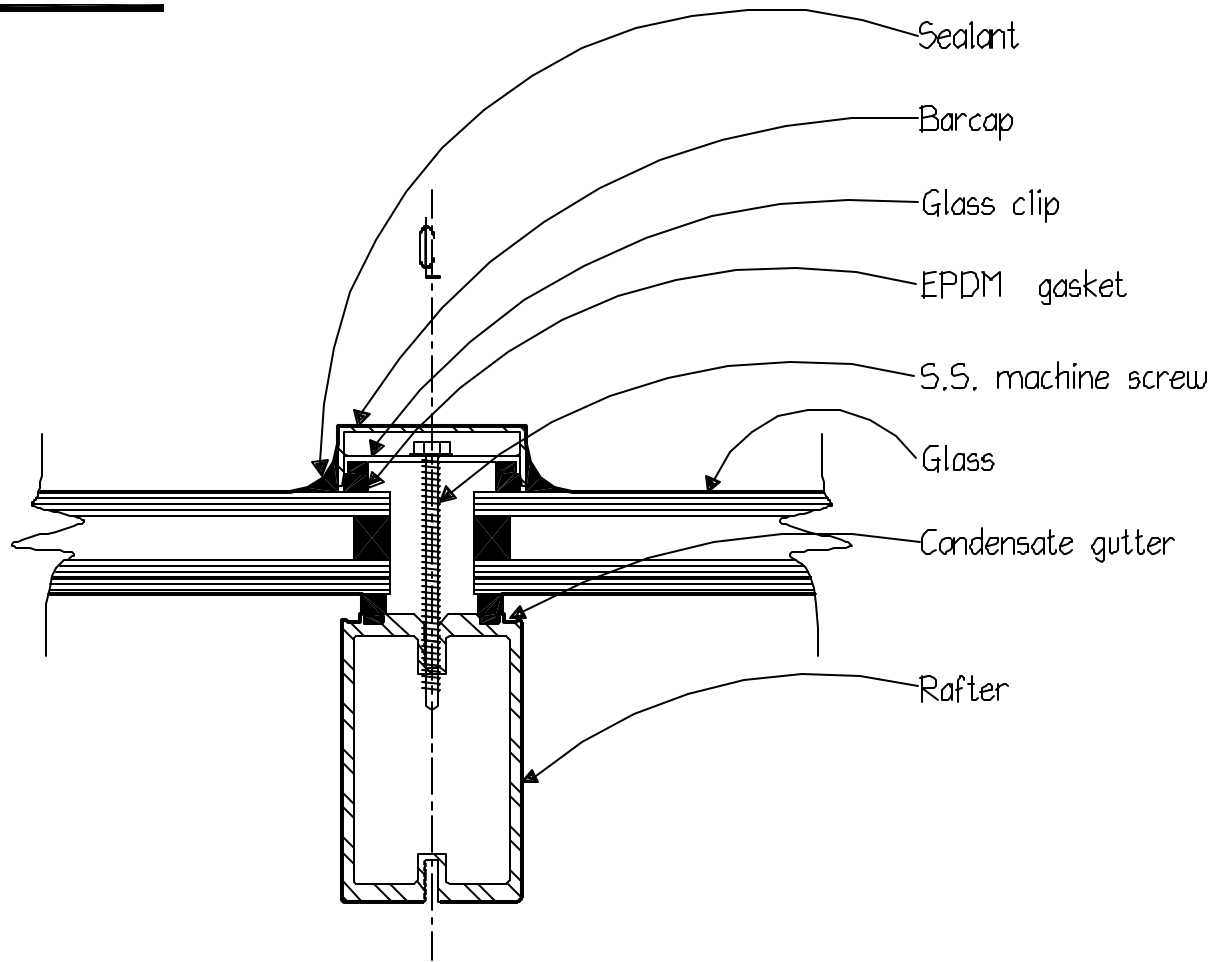
Scale: $\frac{1}{2}'' = 1'-0''$



Gable Skylight plan

Scale: $\frac{1}{2}'' = 1'-0''$

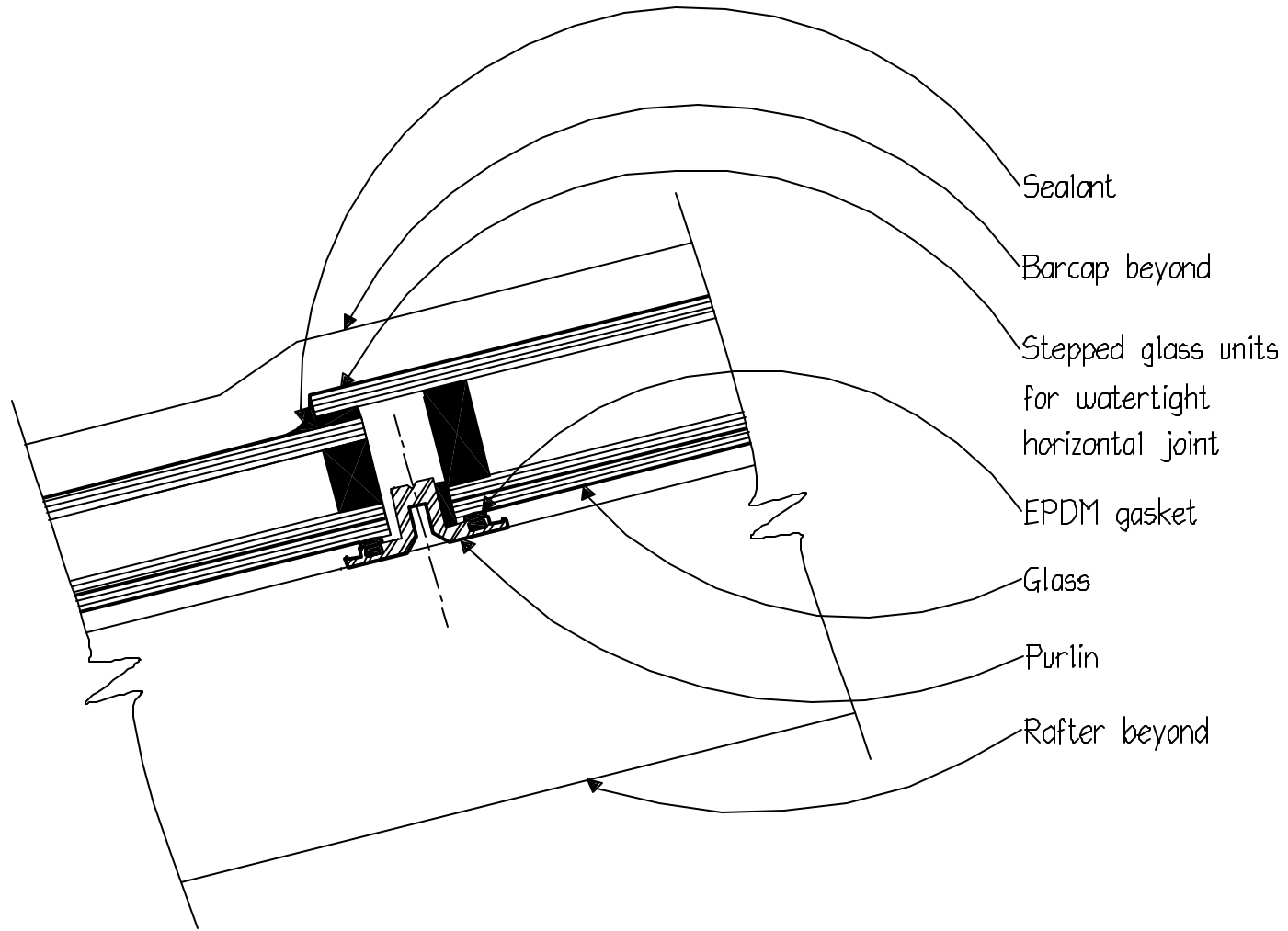
○ WISCONSIN SOLAR DESIGN



1

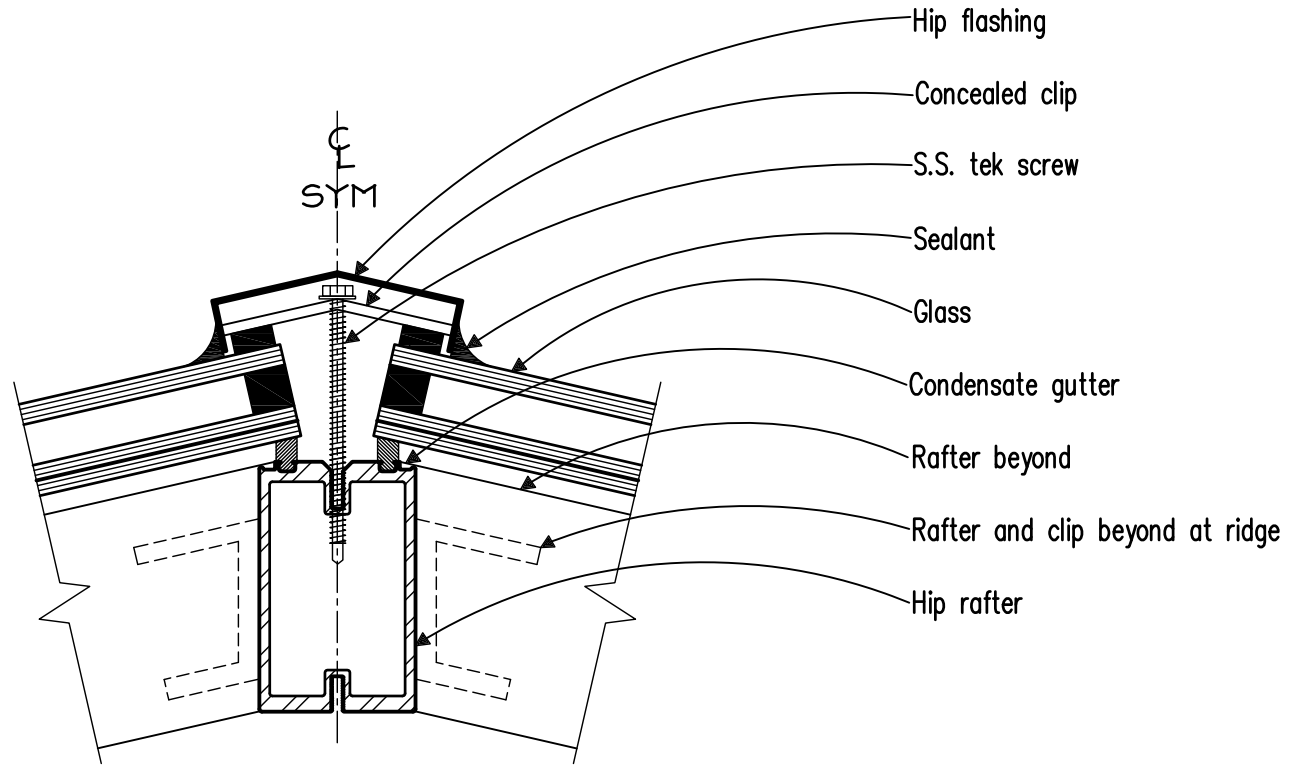
Rafter
half scale

○ WISCONSIN SOLAR DESIGN



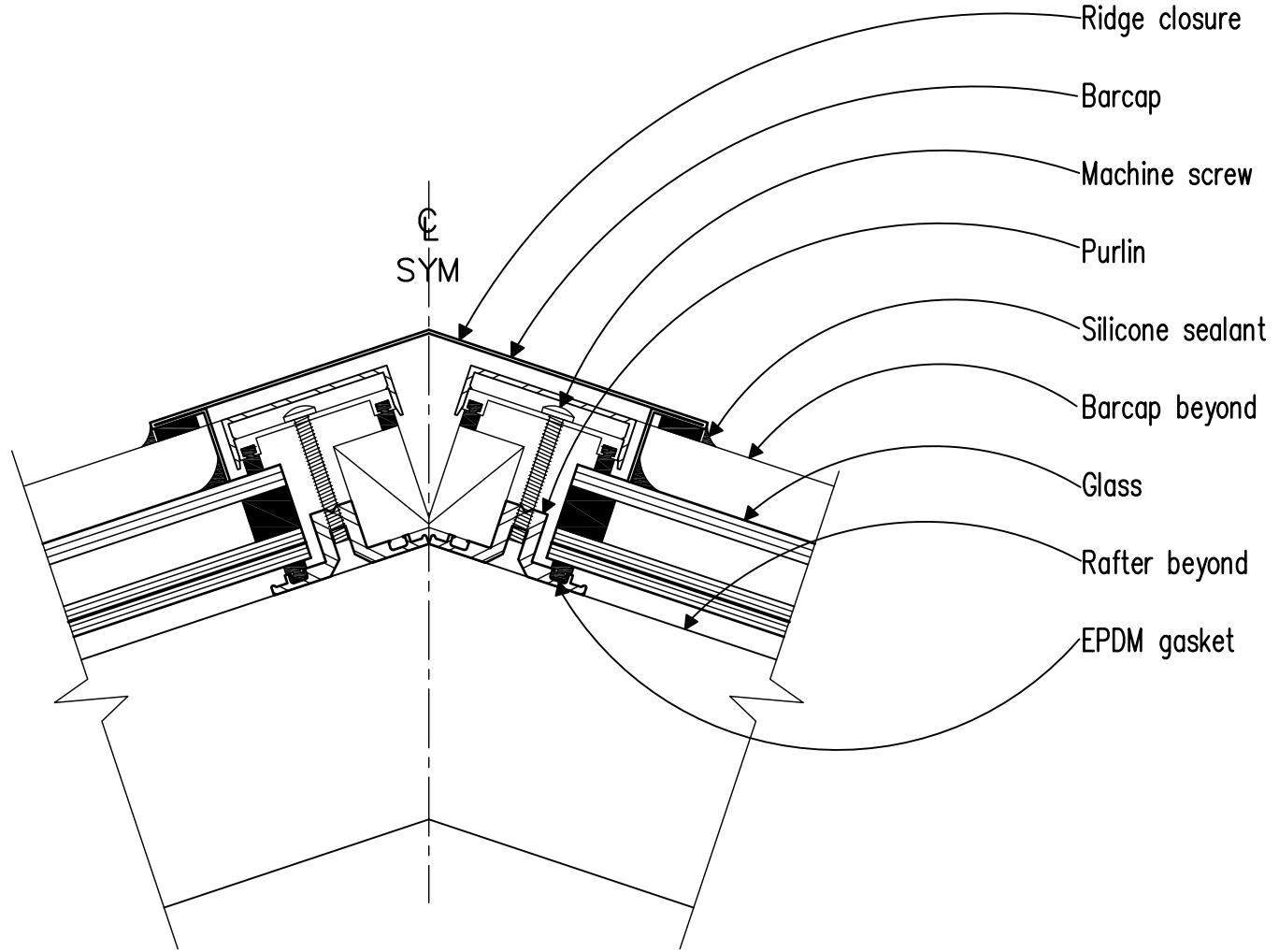
2

Purlin
half scale



3

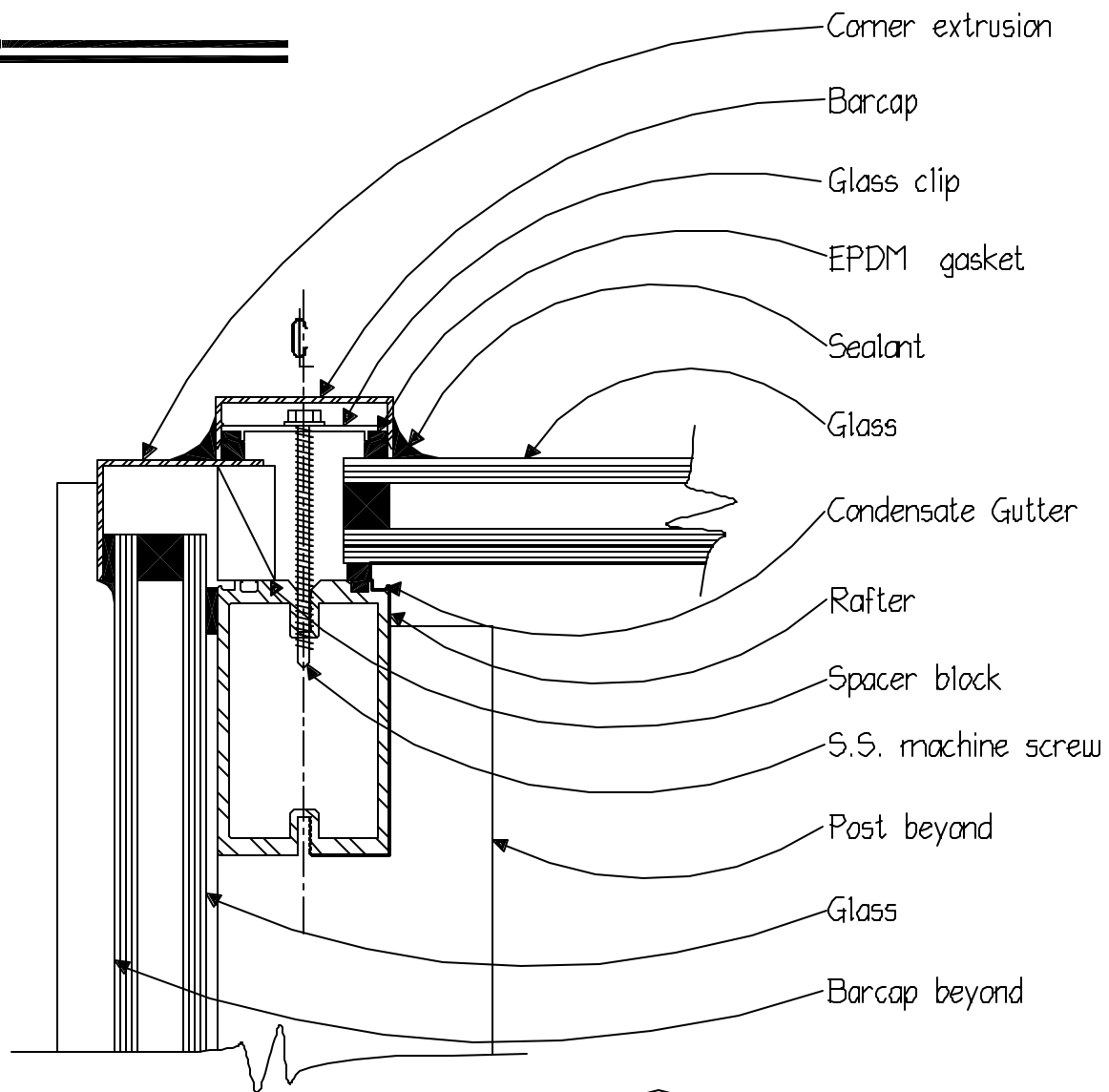
Hip
half scale



④

Ridge
half scale

○ WISCONSIN SOLAR DESIGN

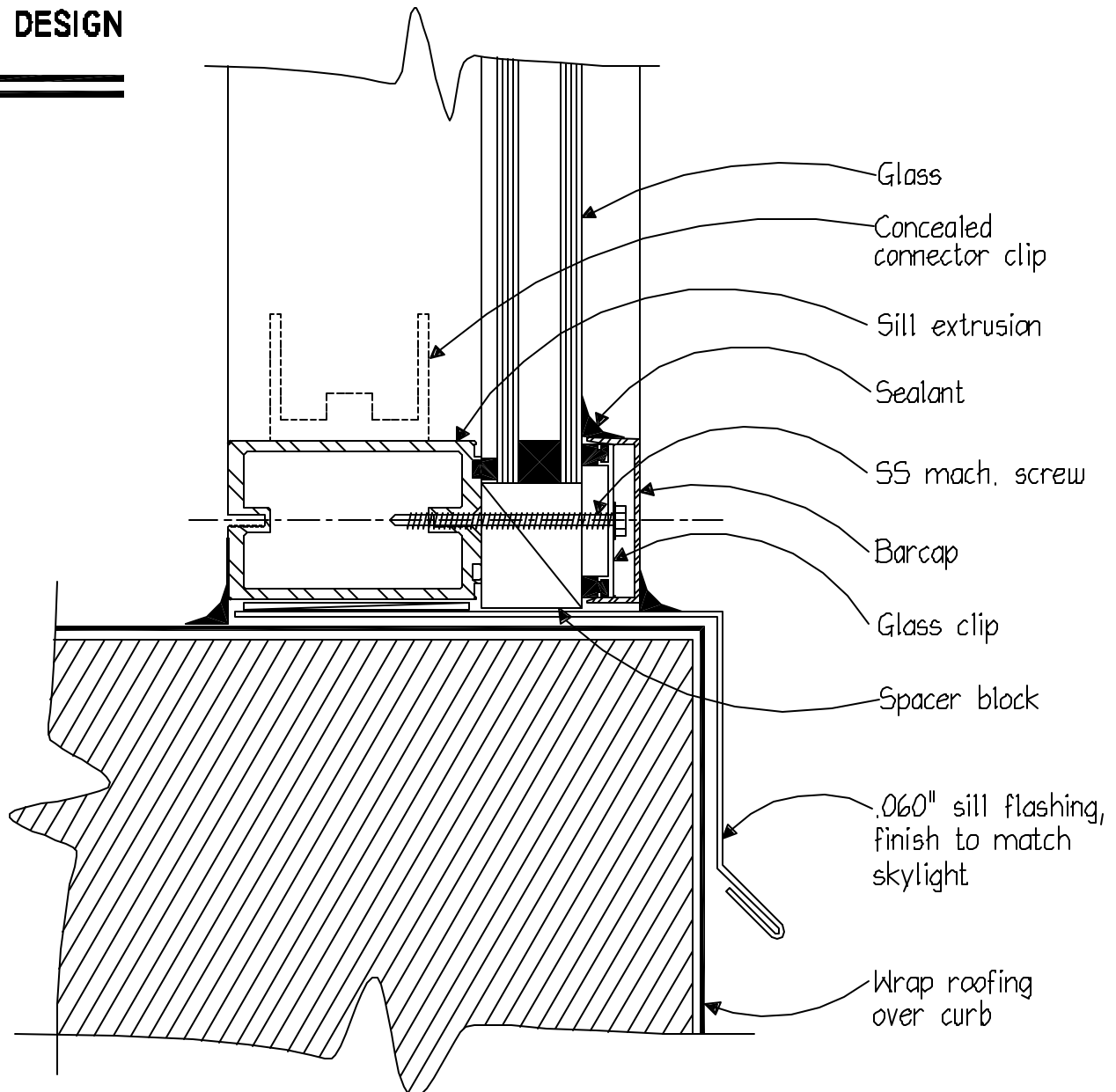


- Corner extrusion
- Barcap
- Glass clip
- EPDM gasket
- Sealant
- Glass
- Condensate Gutter
- Rafter
- Spacer block
- S.S. machine screw
- Post beyond
- Glass
- Barcap beyond

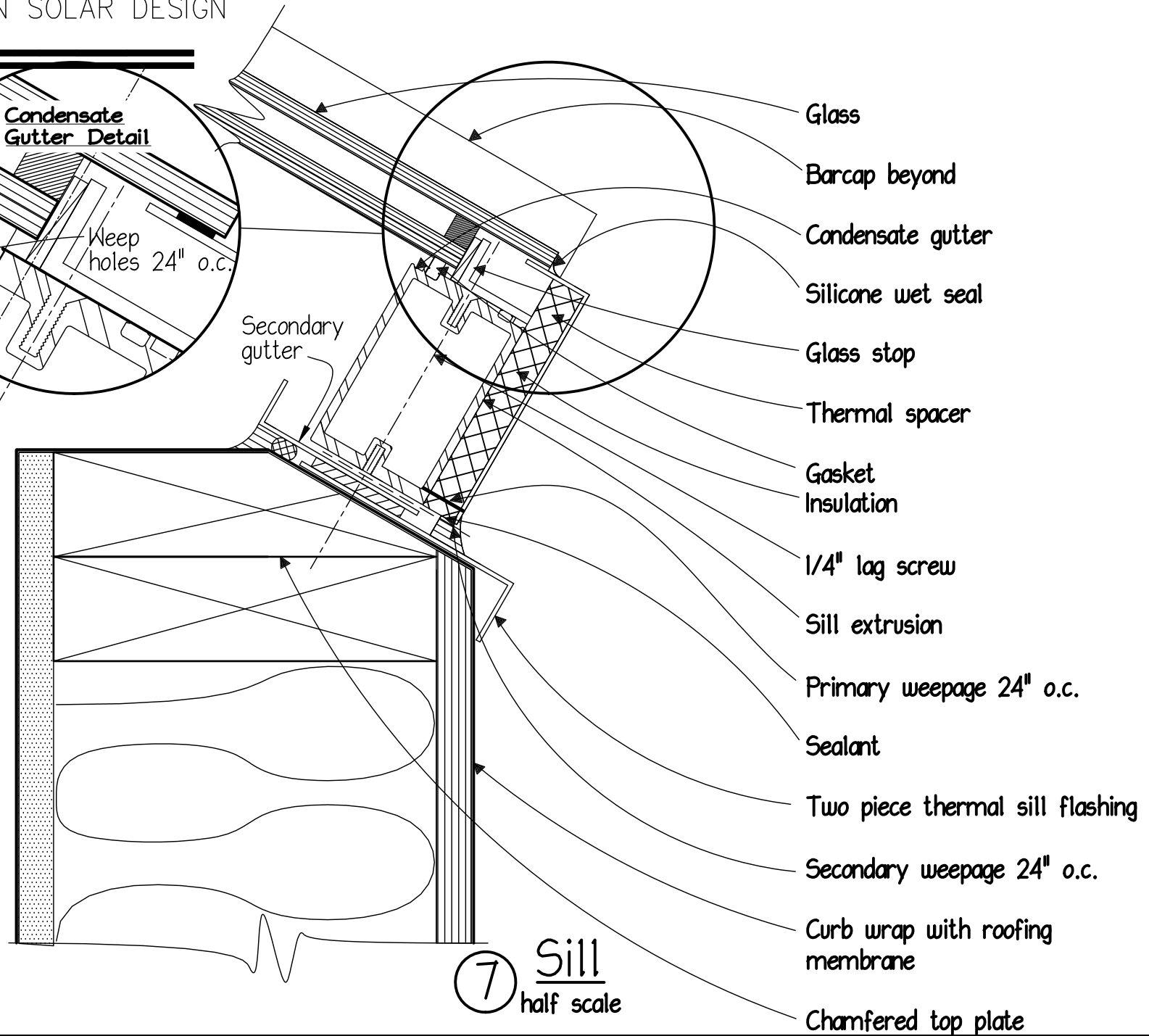
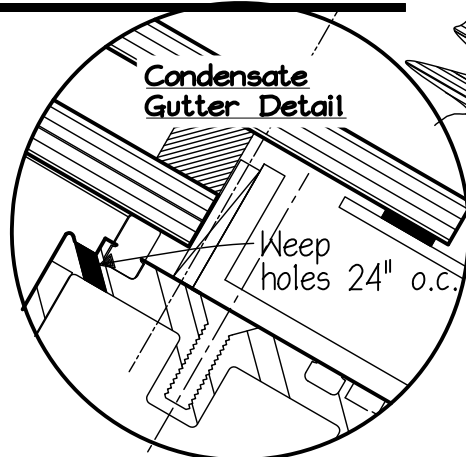
5

Corner
half scale

○ WISCONSIN SOLAR DESIGN

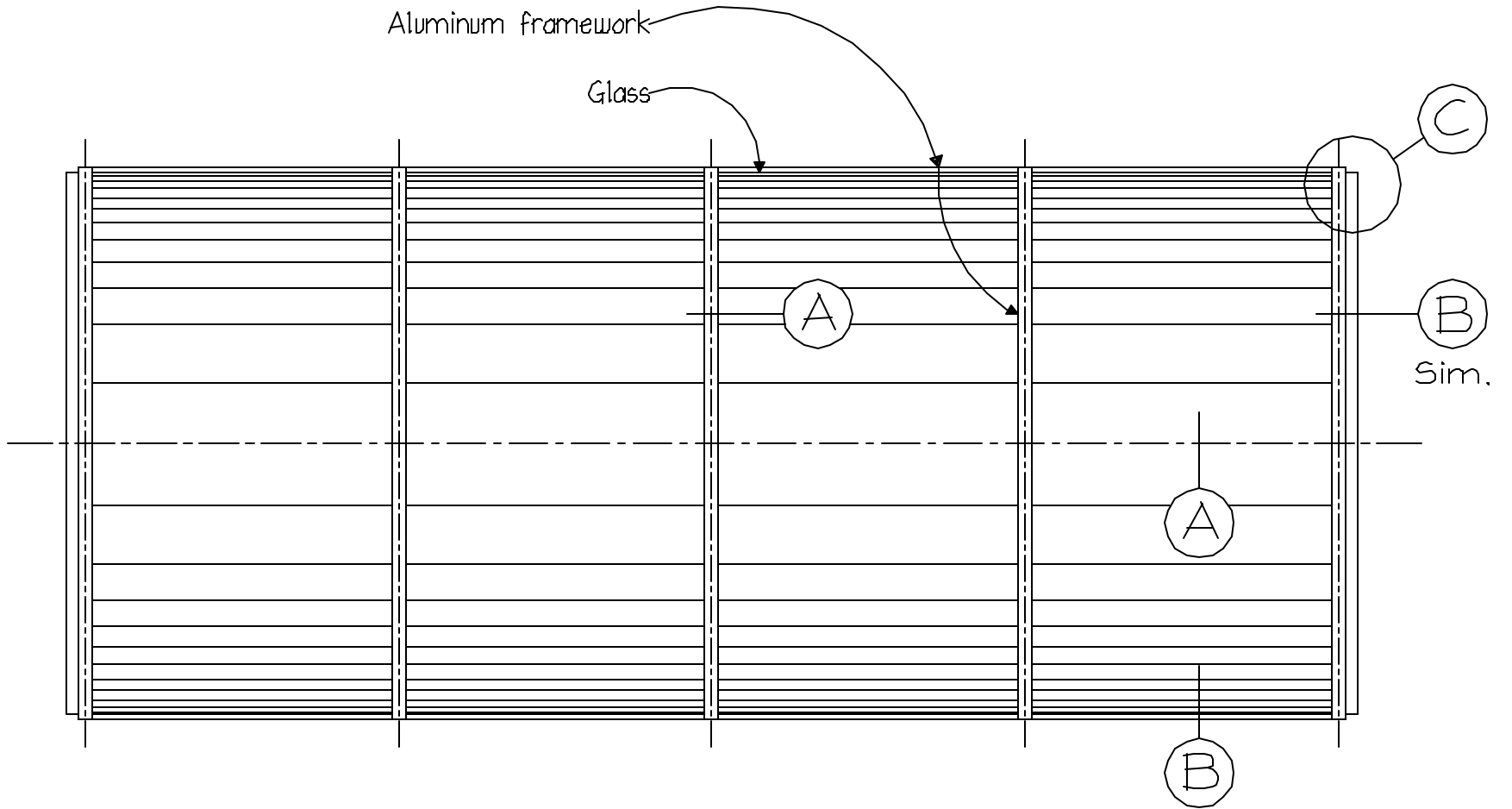


6
Sill
half scale



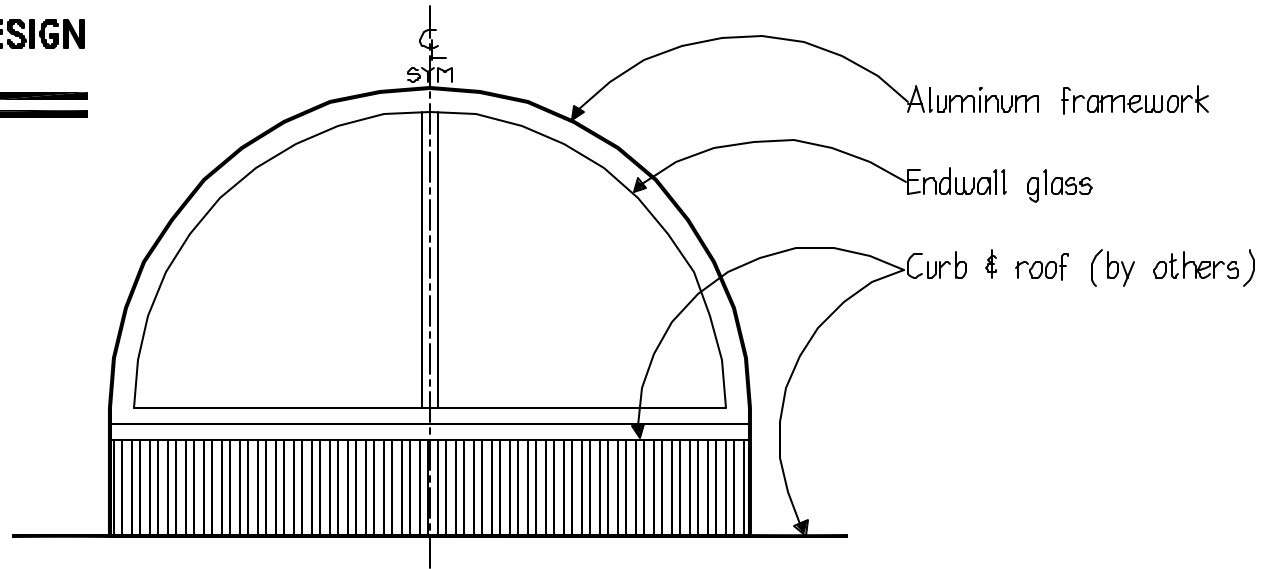
- Glass
- Barcap beyond
- Condensate gutter
- Silicone wet seal
- Glass stop
- Thermal spacer
- Gasket
- Insulation
- 1/4" lag screw
- Sill extrusion
- Primary weepage 24" o.c.
- Sealant
- Two piece thermal sill flashing
- Secondary weepage 24" o.c.
- Curb wrap with roofing membrane
- Chamfered top plate

⑦ Sill
half scale



Barrel vault skylight plan

Scale: $\frac{1}{2}'' = 1'-0''$



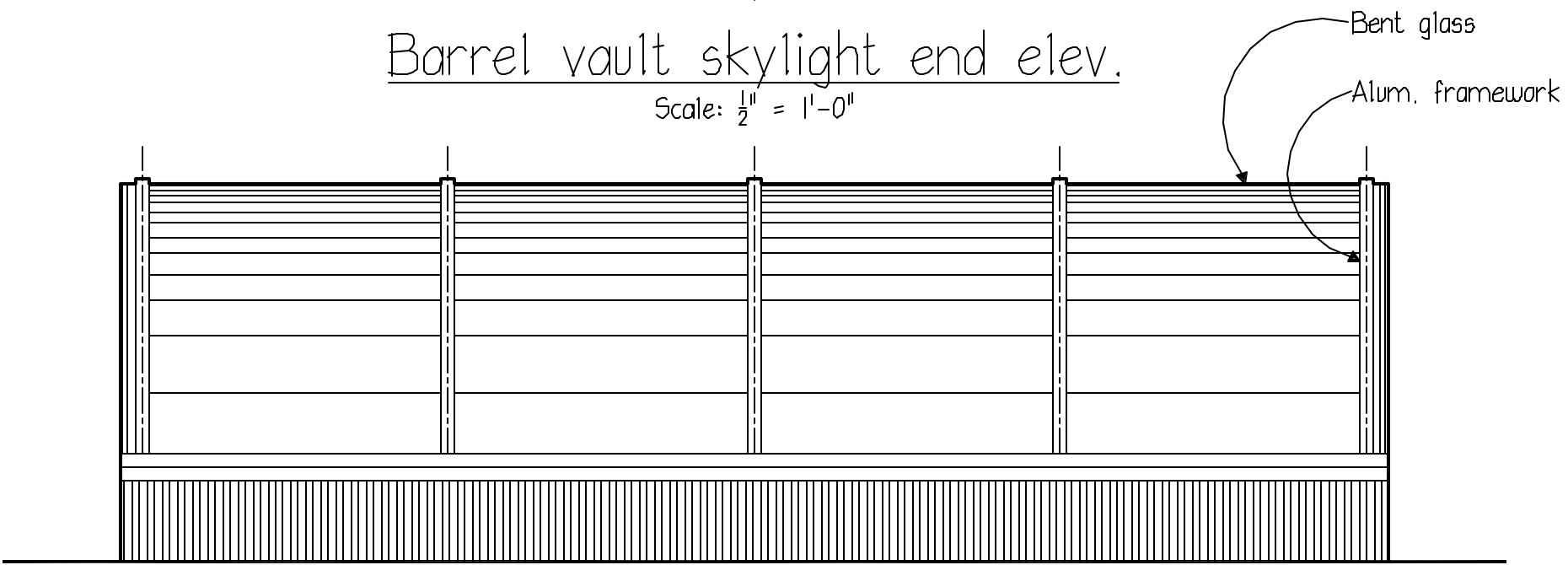
Aluminum framework

Endwall glass

Curb & roof (by others)

Barrel vault skylight end elev.

Scale: $\frac{1}{2}'' = 1'-0''$



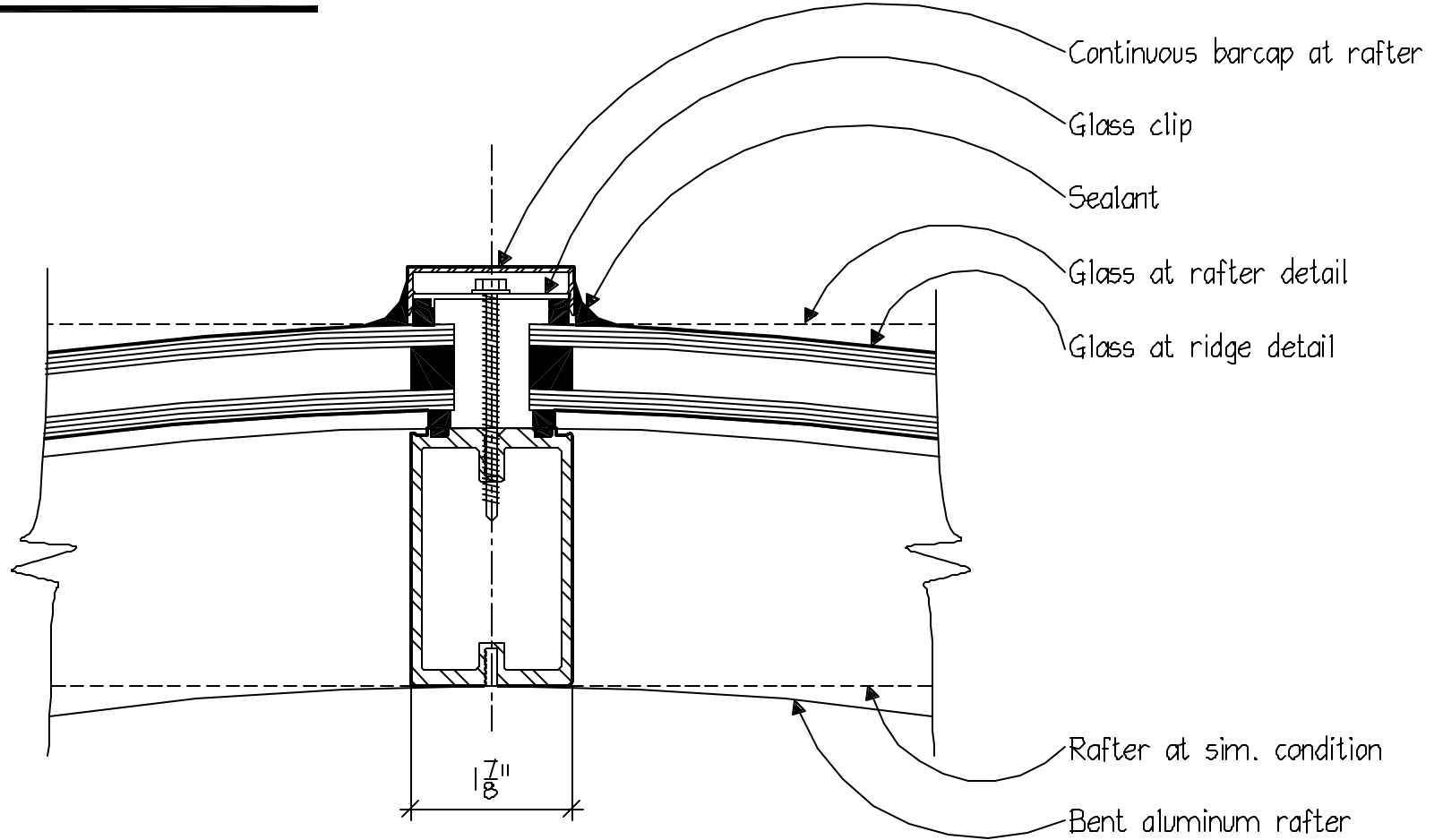
Bent glass

Alum. framework

Barrel vault skylight side elev.

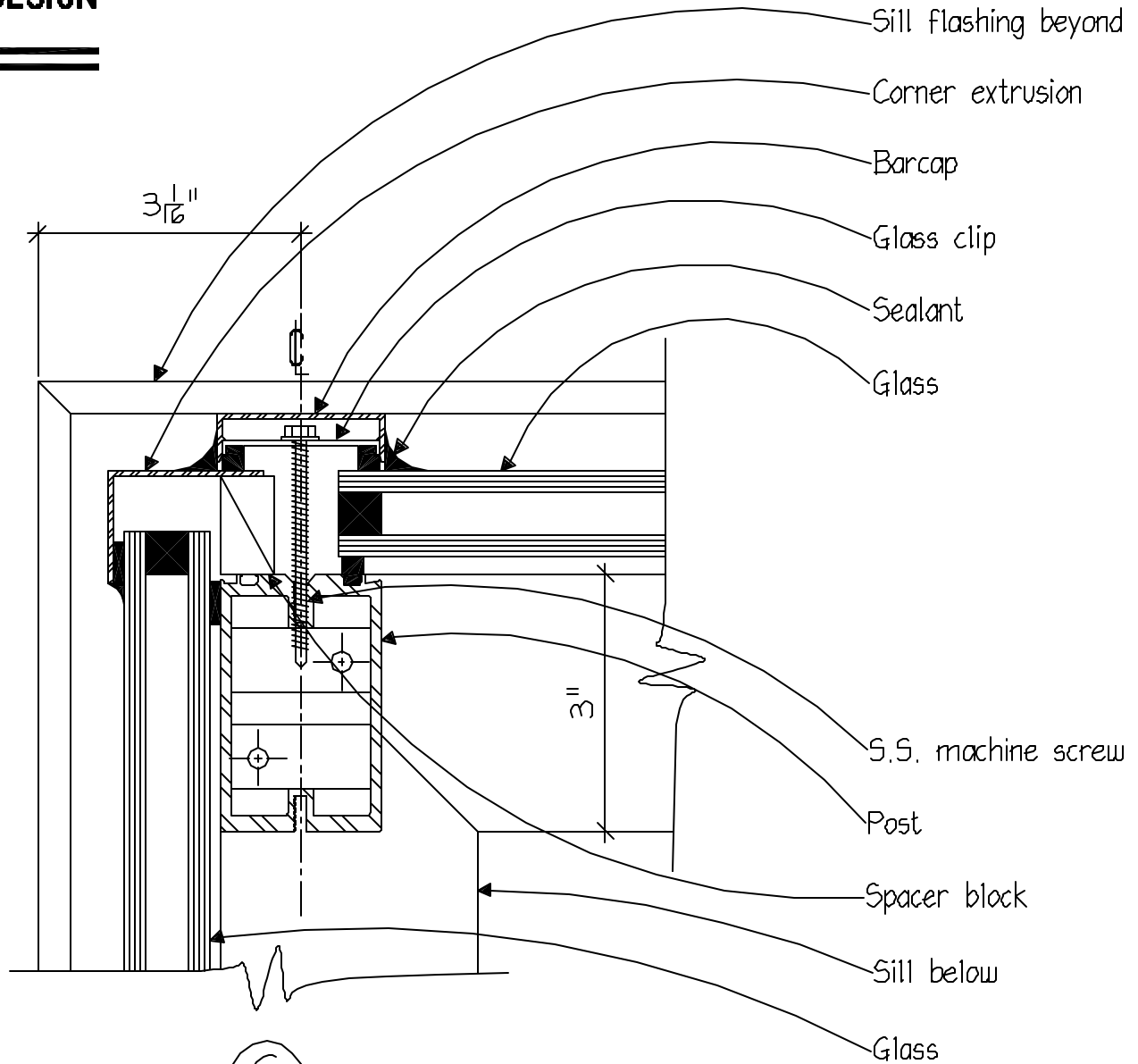
Scale: $\frac{1}{2}'' = 1'-0''$

○ WISCONSIN SOLAR DESIGN



○ A

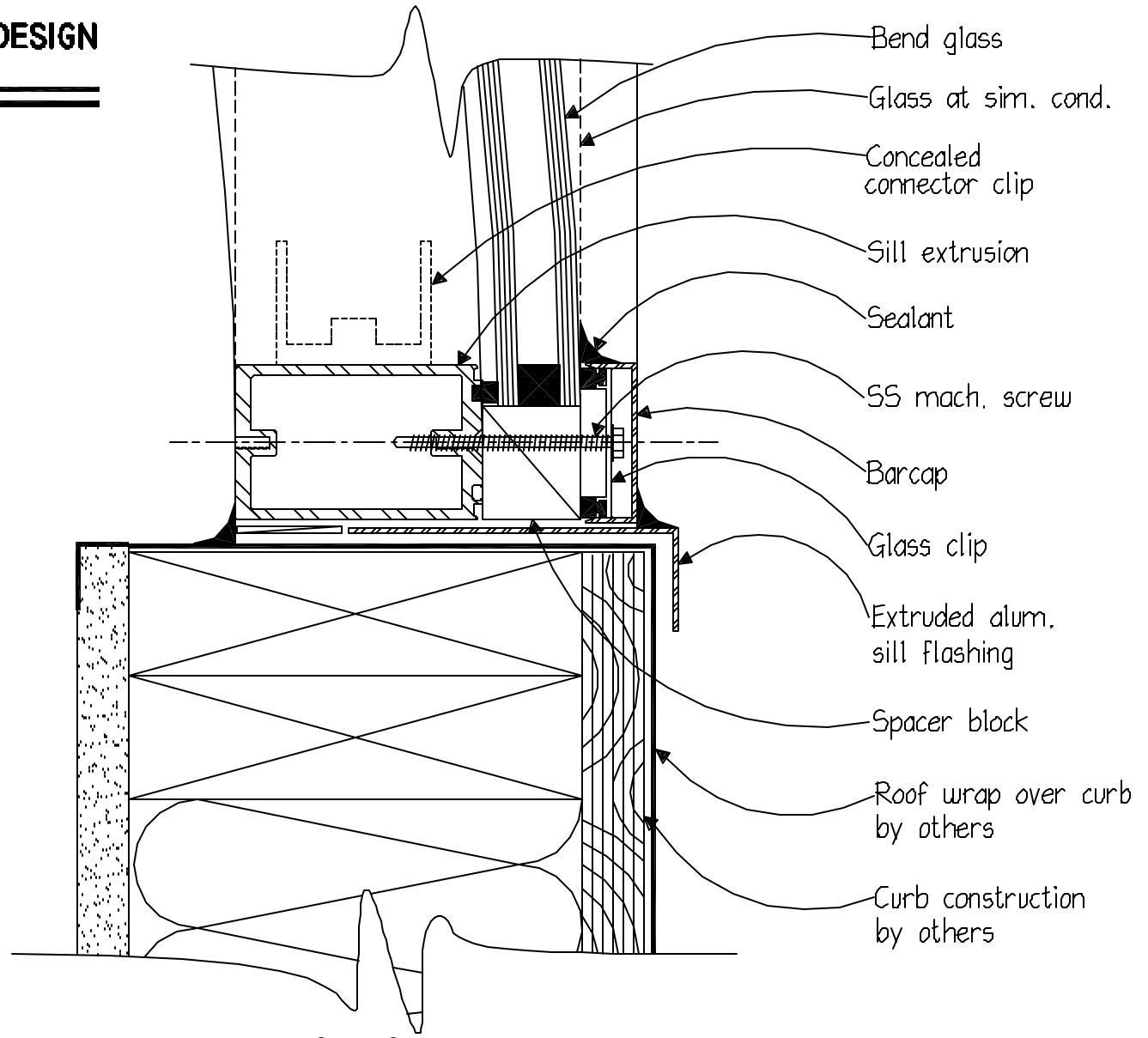
Rafter
half scale



C

Corner
half scale

○ WISCONSIN SOLAR DESIGN



○ ○

Sim.

Sill

half scale