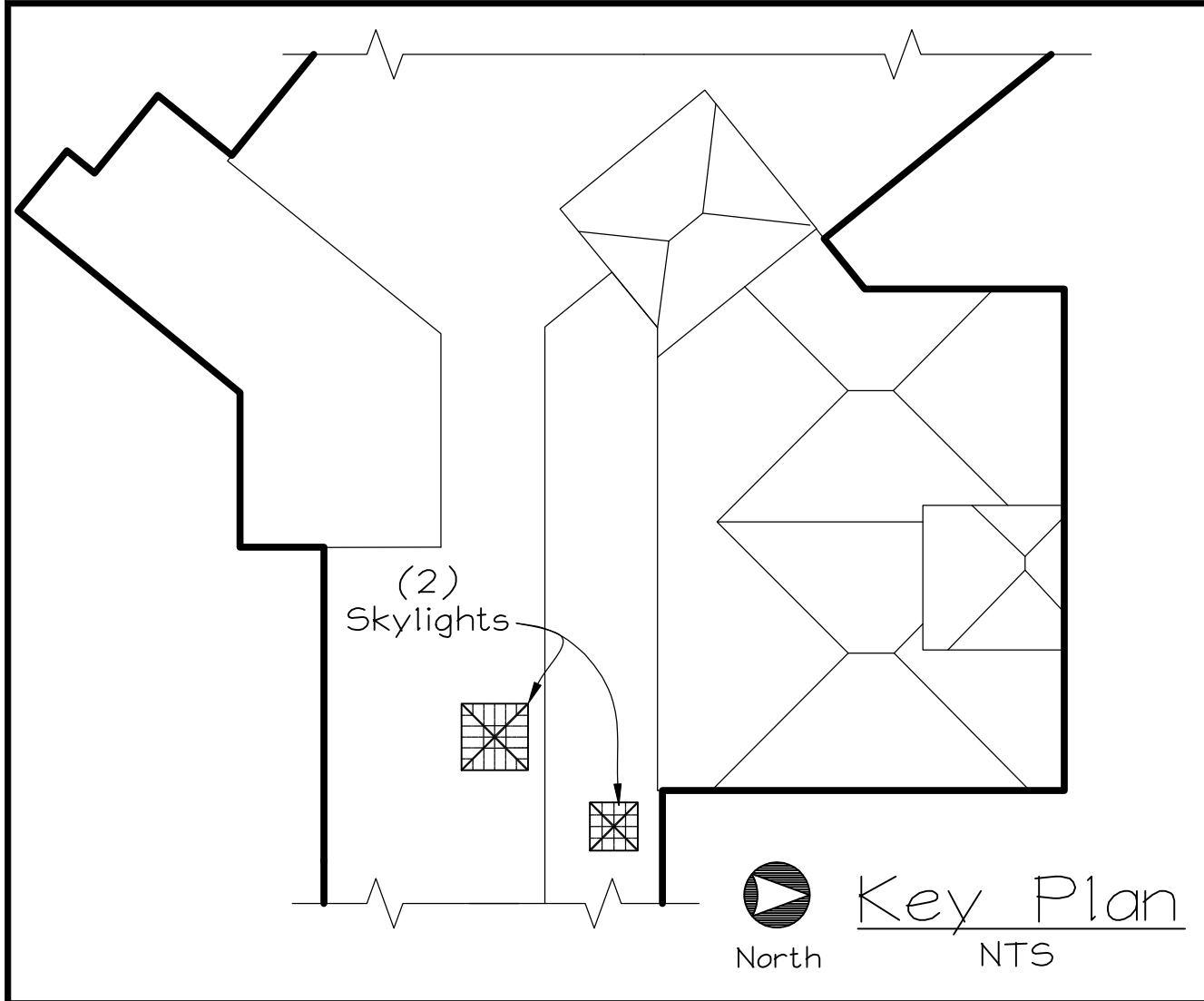


Sioux Falls Regional Airport Security Checkpoint Expansion Skylight Shop Drawings - Sections 08 63 00

Architect:
TPC Inc.
1112 North West Ave.
Sioux Falls, SD 57104

Glazing Contractor:
Midwest Glass
1333 Main Ave. S.
Brookings, SD 57006



PRODUCT DATA:

Glazing: 1/4" tempered outboard lite over 3/8" clear HS laminated inboard glass with clear .030 PVB interlayer.

Finish: The extruded aluminum framework and flashings have a dark bronze anodized finish, samples sent separately.

Sealant: Dow Corning 795 Silicone, data submitted under separate cover. No structural sealant is used herein.

Warranty: Skylight, finish, and glass, including leakage, 10 years.

Manufacturer: Wisconsin Solar Design, Inc.

Installer Certification: Installers are full-time employees of WSD and are certified by the manufacturer.

Test Reports: NFRC test reports for this system are available online at wisconsinsolardesign.com/skylightspecs.html

Product Approval: Wisconsin Solar Design, Inc. is an approved manufacturer per addendum #2.

Delegated Design: DL=10 PSF, SL=40 PSF, WL=20 PSF
 $\Delta_{Max}=L/175$. Structural calculations submitted separately.

NOTES:

1. Glazing Contractor please provide guaranteed out-to-out skylight curb dimensions and photos of constructed curb for use in skylight fabrication.
2. General Contractor please provide 2x P.T. wood blocking with a 30.26° chamfer at skylight curbs. See diagram page 6 of 10.

DRAWING APPROVAL:

We have reviewed these drawings and approve their use for construction of the skylight. Any comments or suggestions have been added to the drawings.

Architect:
TPC Inc.

name _____

title _____

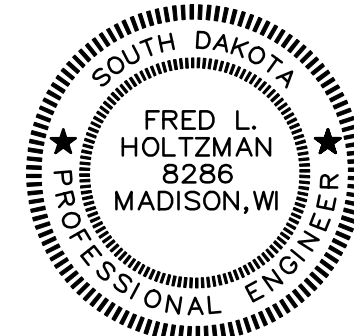
Glazing Contractor:
Midwest Glass

name _____

title _____

SHEET INDEX

1. Title page
2. Skylight A Plan
3. Skylight B Plan
4. Skylight Elevations
5. Skylight Cross-Sections
6. Skylight Details



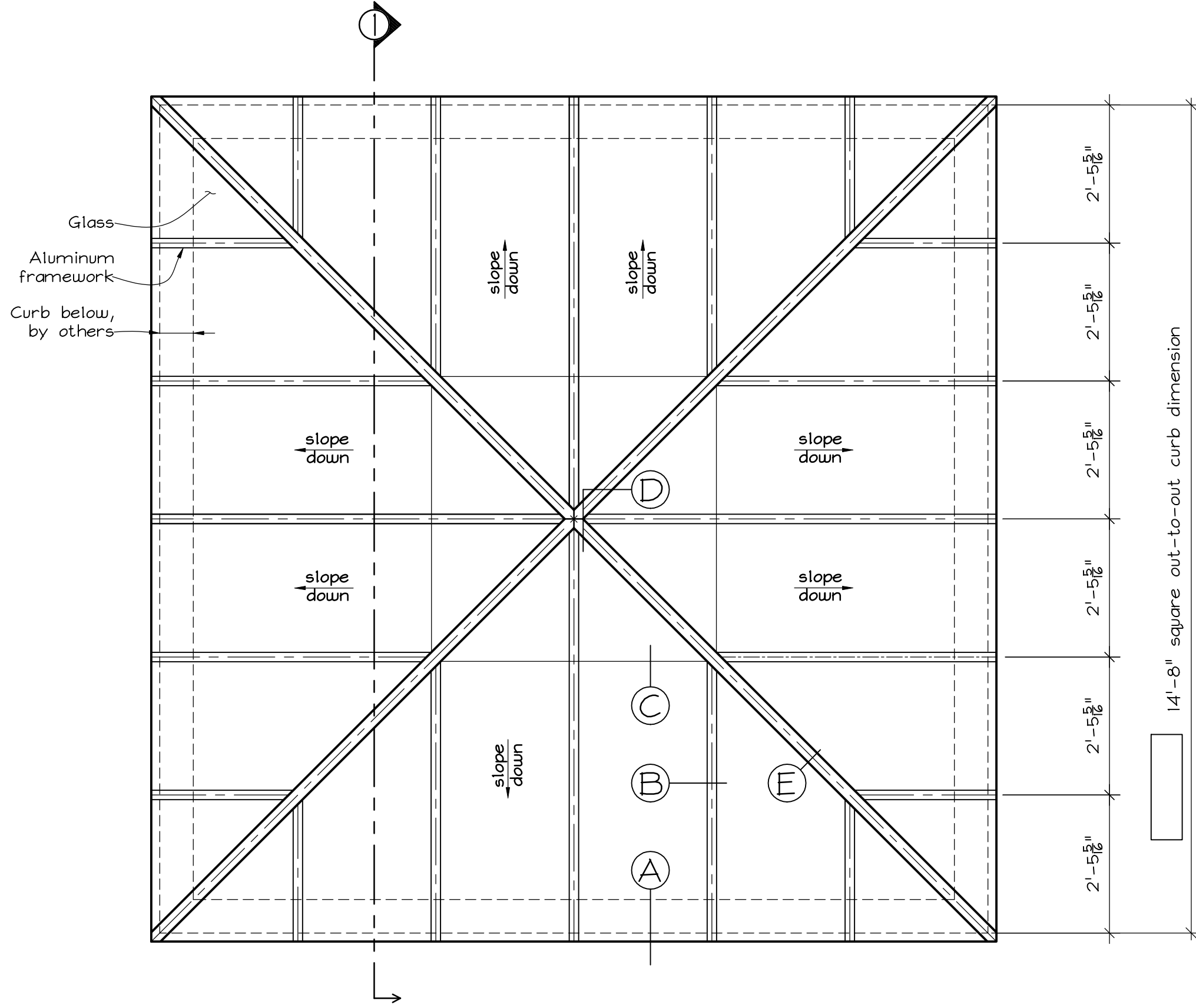
Drawings by: Jorge Medina,
Wisconsin Solar Design

Manufacturer/Installer:
WISCONSIN SOLAR DESIGN
 6349 Briarcliff Ln., Middleton, WI 53562

Project:
 Sioux Falls Regional Airport
 2801 N Jaycee Ln.
 Sioux Falls, SD 57104

Architect:
 TPC Inc.
 1112 North West Ave.
 Sioux Falls, SD 57104

1 of 6
 Issued:
 1/9/15



Skylight A Plan

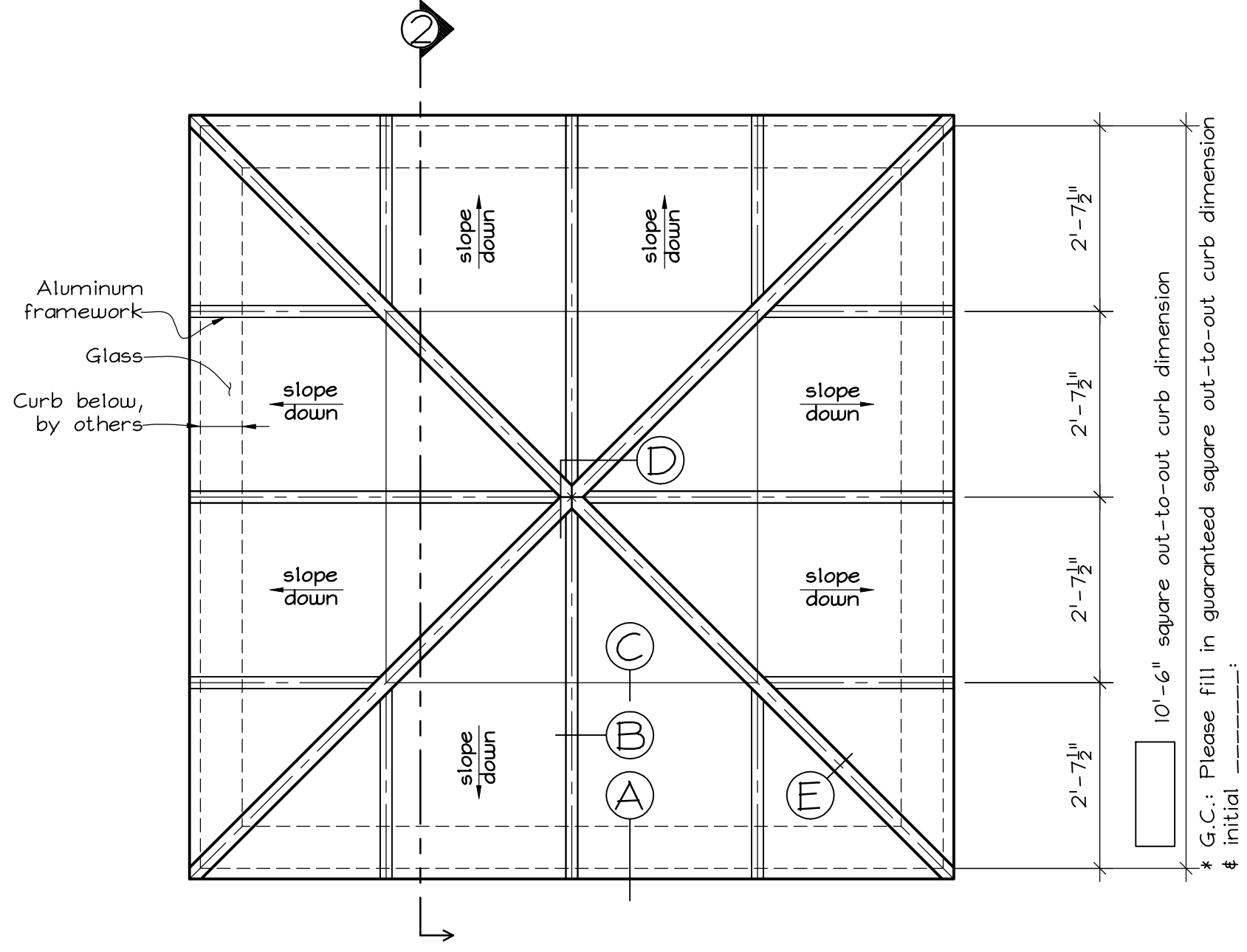
Scale: $\frac{1}{2}'' = 1'-0''$
(1) thus

Architect:
TPC Inc.
1112 North West Ave.
Sioux Falls, SD 57104

Project:
Sioux Falls Regional Airport
2801 N Jaycee Ln.
Sioux Falls, SD 57104

Manufacturer/Installer:
WISCONSIN SOLAR DESIGN
6349 Briarcliff Ln., Middleton, WI 53562

2 of 10
Issued:
1/9/15



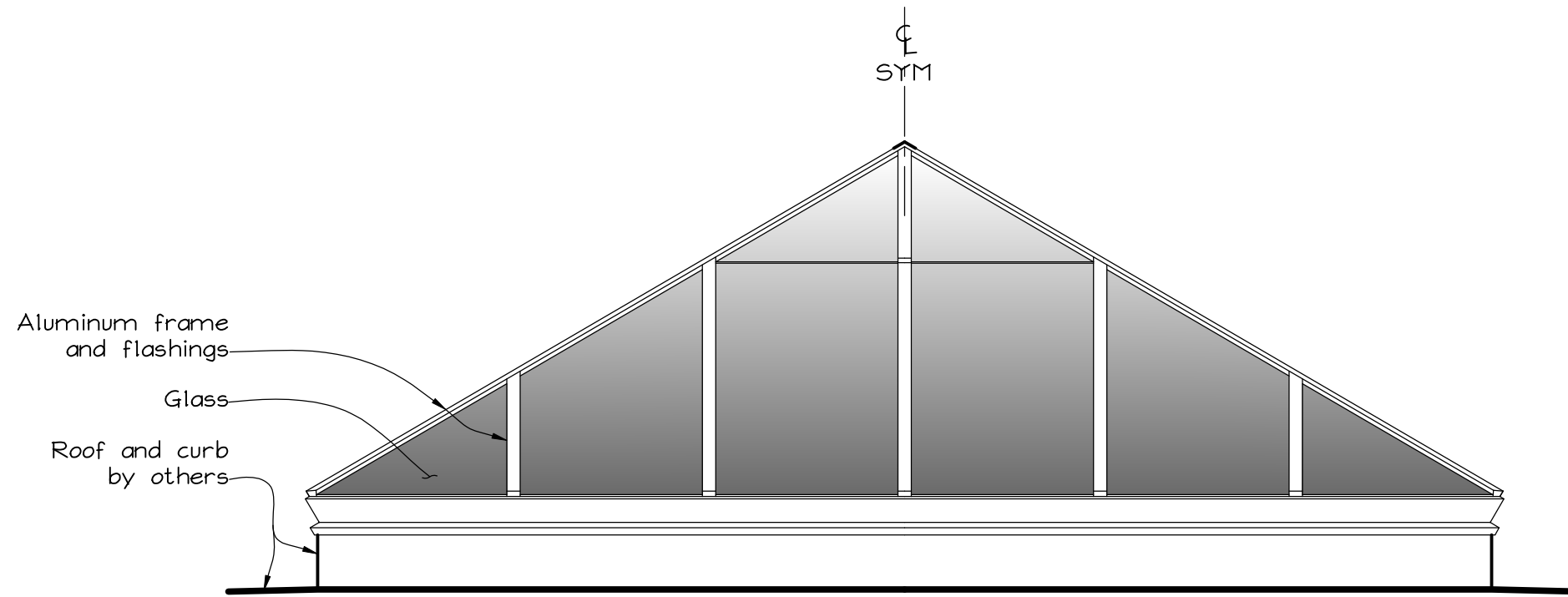
Skylight B Plan

Scale: 1/2" = 1'-0"
(1) thus

Architect:
TPC Inc.
1112 North West Ave.
Sioux Falls, SD 57104

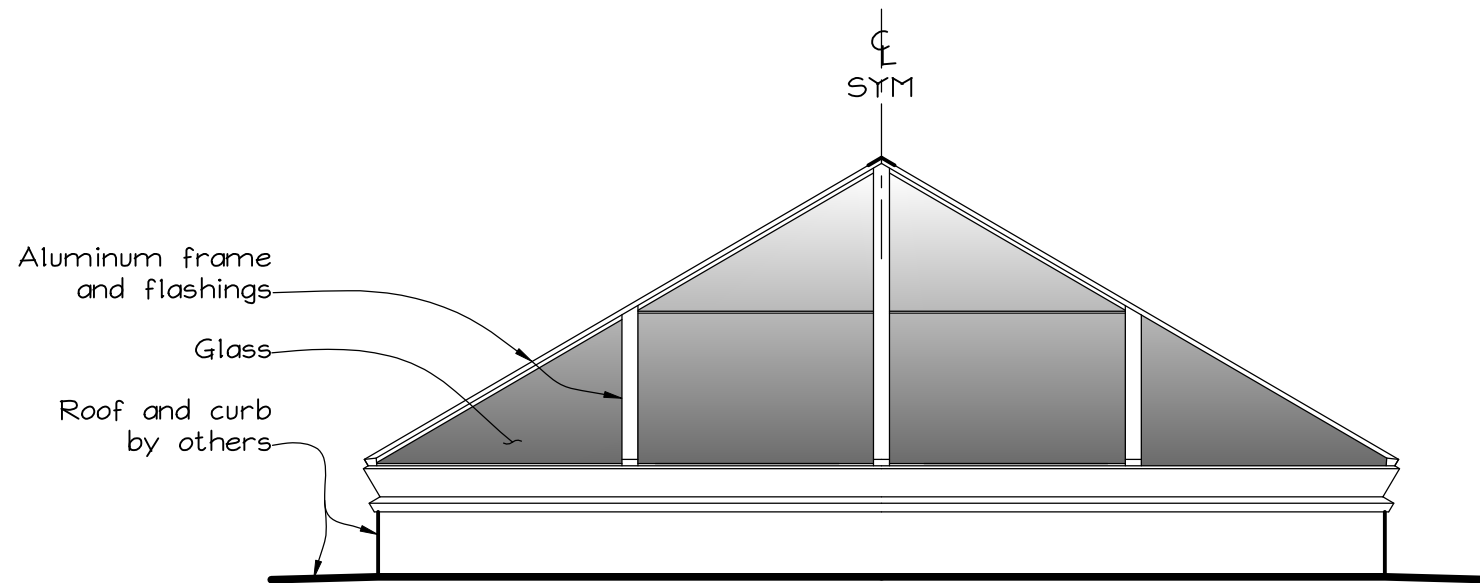
Project:
Sioux Falls Regional Airport
2801 N Jaycee Ln.
Sioux Falls, SD 57104

Manufacturer/Installer:
WISCONSIN SOLAR DESIGN
6349 Briarcliff Ln., Middleton, WI 53562



Skylight A Elevation

Scale: $\frac{1}{2}'' = 1'-0''$
(4) thus



Skylight B Elevation

Scale: $\frac{1}{2}'' = 1'-0''$
(4) thus

Manufacturer/Installer:

WISCONSIN SOLAR DESIGN

6349 Briarcliff Ln., Middleton, WI 53562

Project:

Sioux Falls Regional Airport

2801 N Jaycee Ln.

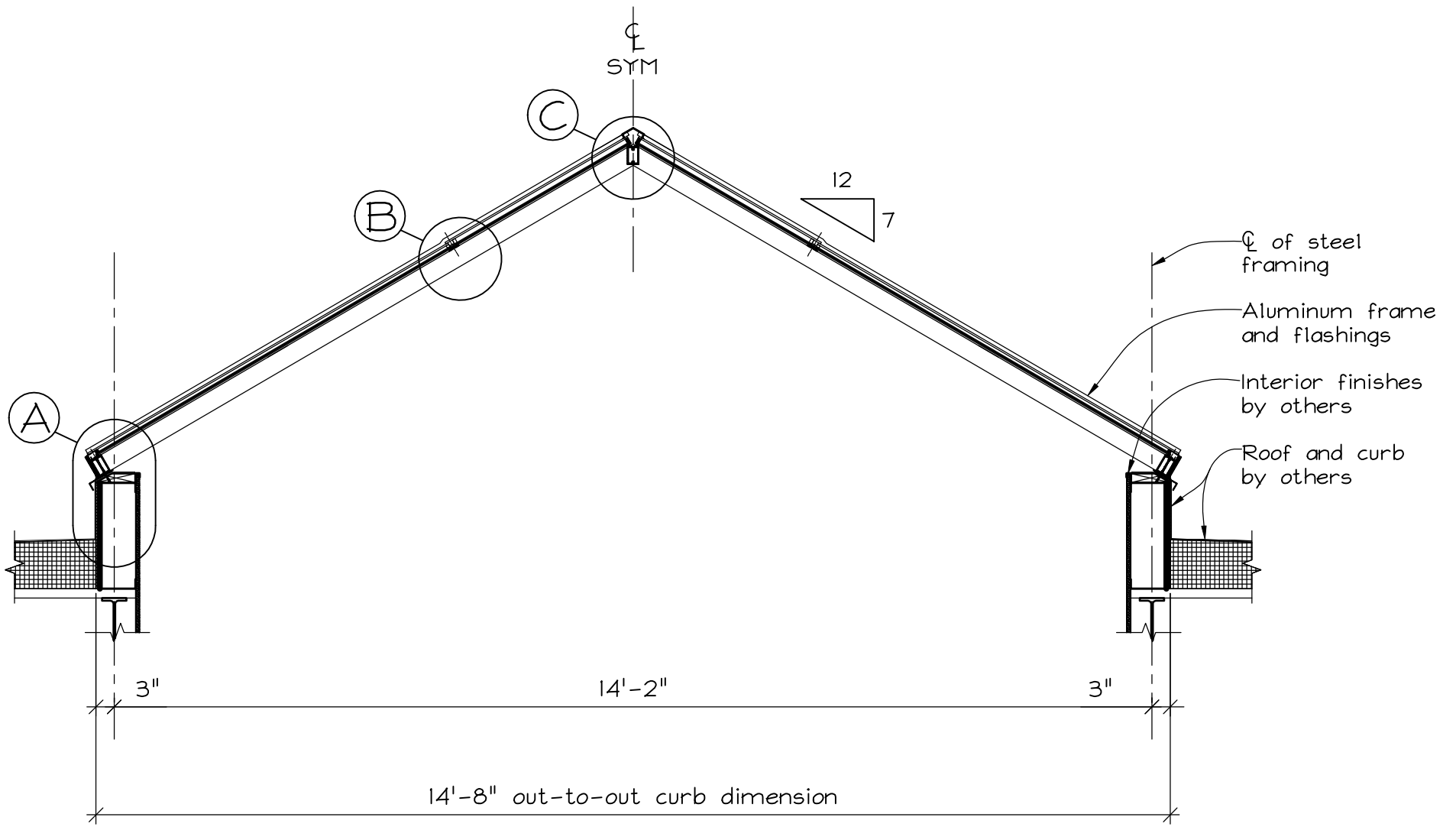
Sioux Falls, SD 57104

Architect:

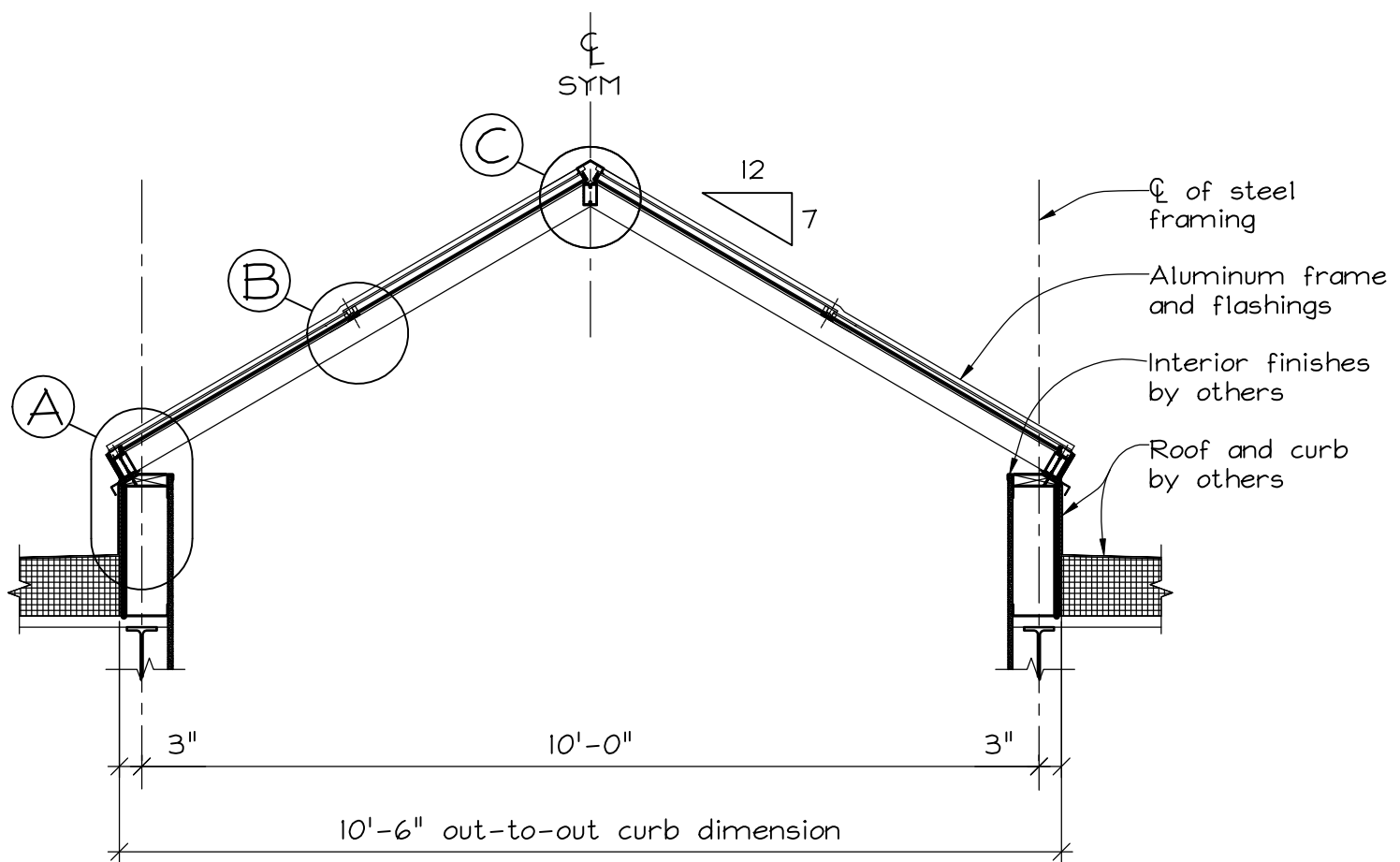
TPC Inc.

1112 North West Ave.

Sioux Falls, SD 57104



① Cross-Section
Scale: $\frac{1}{2}'' = 1'-0''$




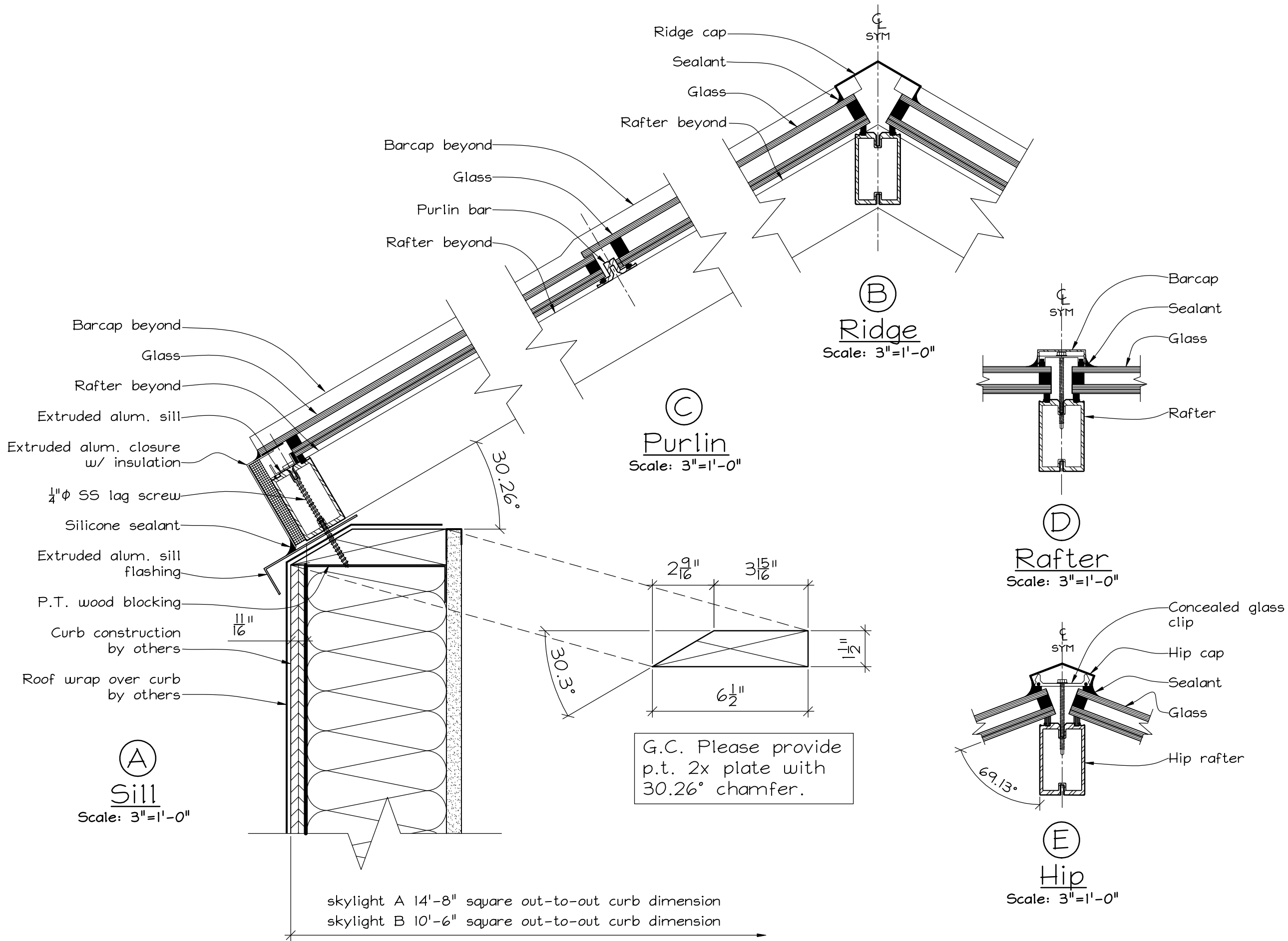
② Cross-Section
Scale: $\frac{1}{2}'' = 1'-0''$

5 of 10
 Issued:
 1/9/15
 G1/b/1

Architect:
 TPC Inc.
 1112 North West Ave.
 Sioux Falls, SD 57104

Project:
 Sioux Falls Regional Airport
 2801 N Jaycee Ln.
 Sioux Falls, SD 57104

Manufacturer/Installer:

WISCONSIN SOLAR DESIGN
 6349 Briarcliff Ln., Middleton, WI 53562



Manufacturer/Installer:
WISCONSIN SOLAR DESIGN
 6349 Briarcliff Ln., Middleton, WI 53562

Project:
 Sioux Falls Regional Airport
 2801 N Jaycee Ln.
 Sioux Falls, SD 57104

Architect:
 TPC Inc.
 1112 North West Ave.
 Sioux Falls, SD 57104

6 of 10
 Issued:
 1/9/15