

New Junior-Senior High School
 Independence Community School District, Independence, IA
 Skylight Shop Drawings - Section 08 45 00 Translucent Wall & Roof Assemblies

ARCHITECT:
 HSR Associates
 100 Milwaukee Street
 La Crosse, WI 54603

GENERAL CONTRACTOR:
 Larson Construction Co. Inc.
 600 17th Street NE
 Independence, IA 50644

PRODUCT DATA:

Skylight Glazing: 20mm Opal standing seam structured polycarbonate system with battens; U-factor = 0.29, LT = 50%, UV resistant.

Finish: Extruded aluminum members and flashings to have a 7 mil, fluoropolymer coating. Color to be Linetec "Slate Gray" to match the curtainwall system finish, Manko "Slate Gray", chart provided under separate cover.

Warranty: Skylight and Finish, including leakage, 5 years. Glazing, including yellowing and LT, 10 years.

Product Approval: Wisconsin Solar Design is an approved manufacturer per addendum #1.

Energy Performance: Per section 084500.1.04.H/1, skylights meet IEC requirements and have been tested in accordance with the specified NFRC standards. Please see test reports submitted under separate cover.

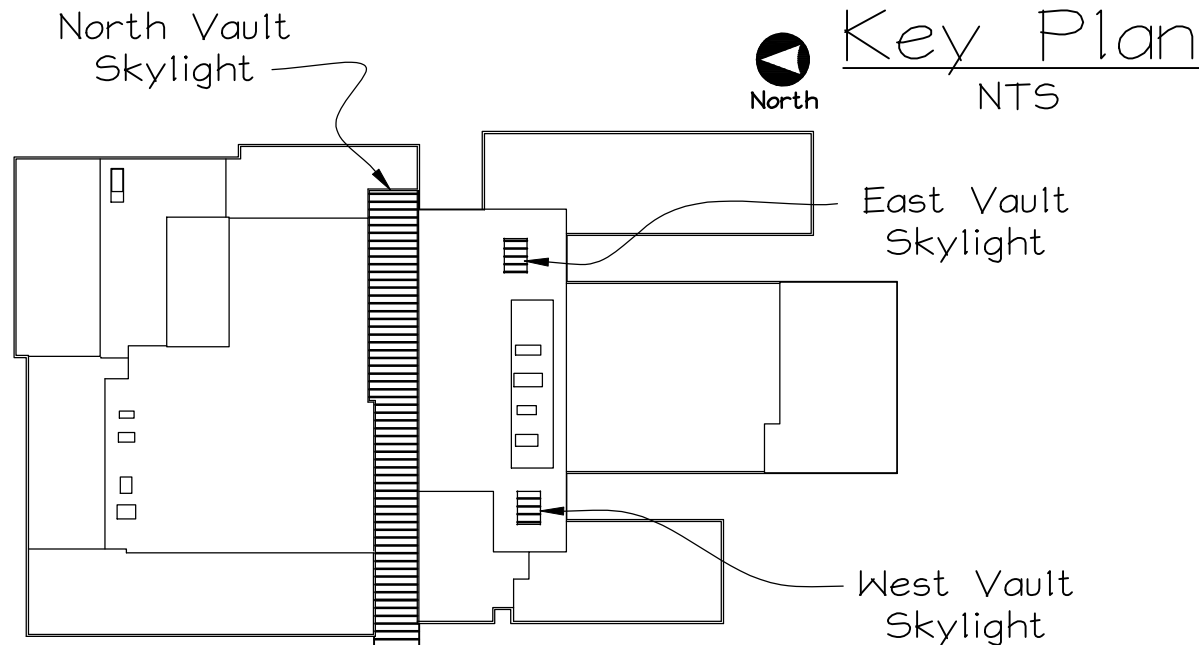
Manufacturer: Wisconsin Solar Design, Inc.

Installer Certification: Installers are full-time employees of WSD and are certified by the manufacturer.

Structural: See Structural Calculations submitted under separate cover.

NOTES:

1. G.C.: Please verify the curb sizes shown herein for the east & west skylights, p.15. G.C. Confirmed dimensions will be the basis for skylight fabrication.
2. G.C.: Please provide chamfered blocking at skylight curbs as detailed on p. 17.



SHEET INDEX

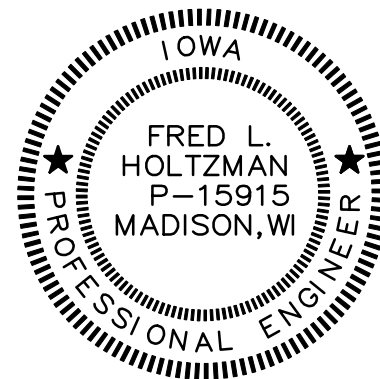
1	Title Page	15	East & West Skylight Plans
2	Overall Skylight Plan	16	East & West Skylight Sections/Elev.
3-5	North Skylight Plan	17	East & West Skylight Details
6	Skylight Elevations		
7-9	Skylight Cross-Sections		
10-14	North Skylight Details		

DRAWING APPROVAL:

We have reviewed these drawings and approve their use for construction of the windows and skylights. Any comments or suggestions have been added to the drawings.

Architect:
 HRS Associates
 name _____
 title _____

General Contractor:
 Larson Construction Co. Inc
 name _____
 title _____



I hereby certify that this engineering document was prepared by me or under my direct personal supervision and that I am a duly licensed Professional Engineer under the laws of the State of Iowa.

signature _____ date _____

Printed or typed name **Fred Holtzman**

My license renewal date is December 31, 2012.

Pages or sheets covered by this seal: **1 - 21**

Architect:

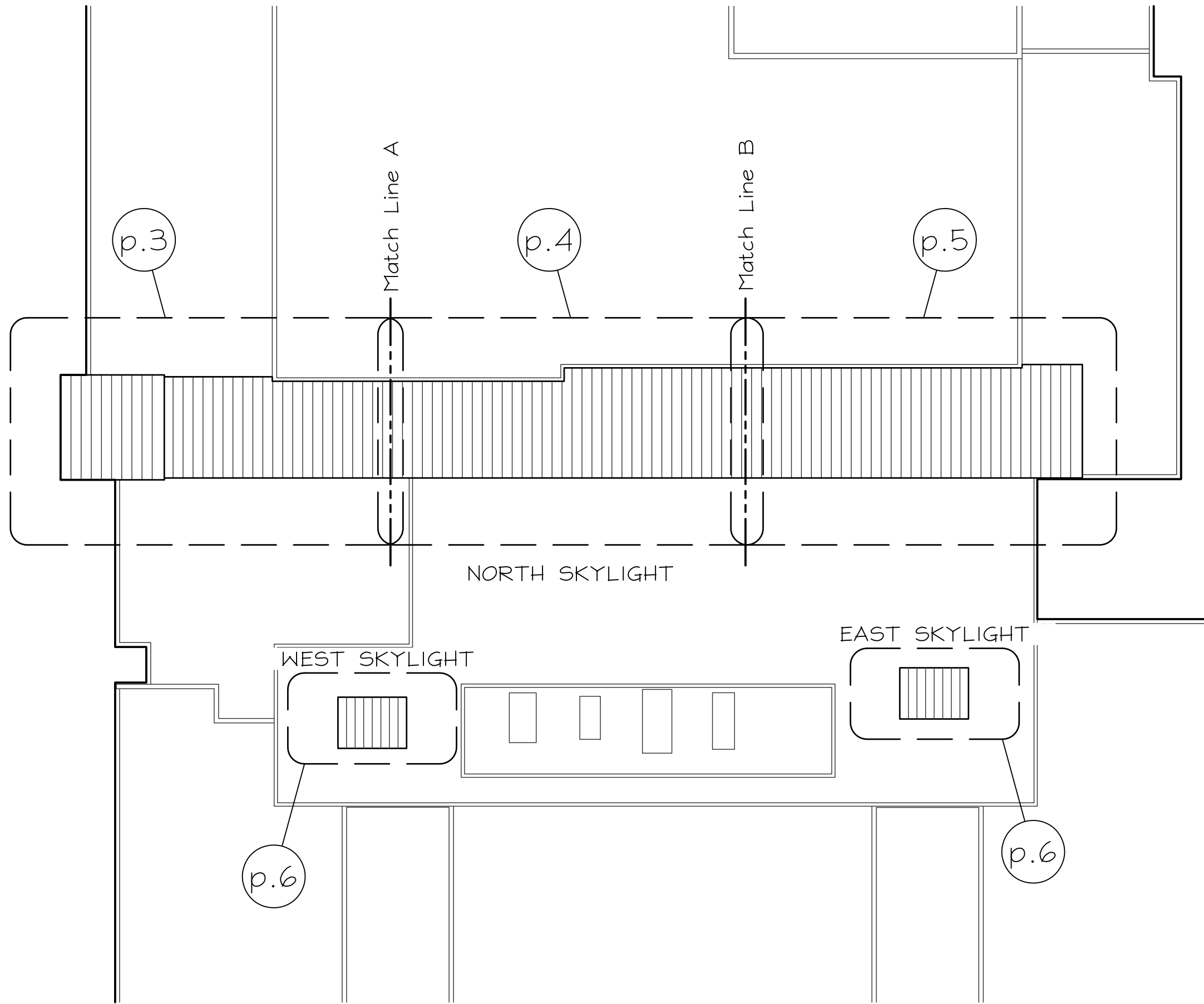
HSR Associates, Inc.
 100 Milwaukee Street
 La Crosse, Wisconsin

Project:

New Jr.-Sr. High School
 700 20th Ave. SW
 Independence, IA 50644

Manufacturer/Installer:

WISCONSIN SOLAR DESIGN
 6349 Briarcliff Ln., Middleton, WI 53562



Overall Skylight Plan
 scale: 1/32" = 1'-0"

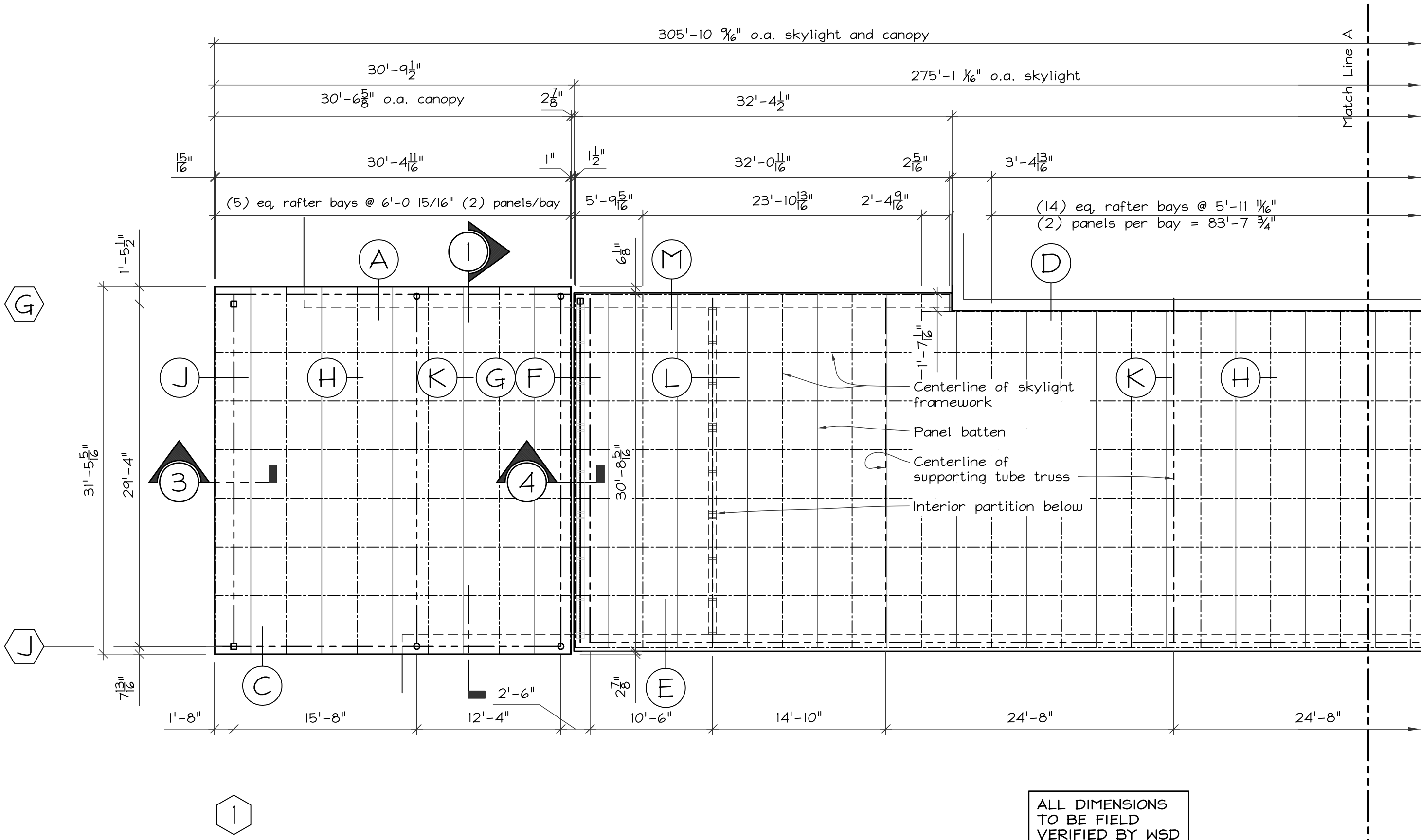


Manufacturer/Installer:
WISCONSIN SOLAR DESIGN
 6349 Briarcliff Ln., Middleton, WI 53562

Project:
 New Jr.-Sr. High School
 700 20th Ave. SW
 Independence, IA 50644

Architect:
 HSR Associates, Inc.
 100 Milwaukee Street
 La Crosse, Wisconsin

2 of 21
 Issued:
 8/17/12



ALL DIMENSIONS
TO BE FIELD
VERIFIED BY WSD

① North Skylight Plan
scale: 1/8" = 1'-0"

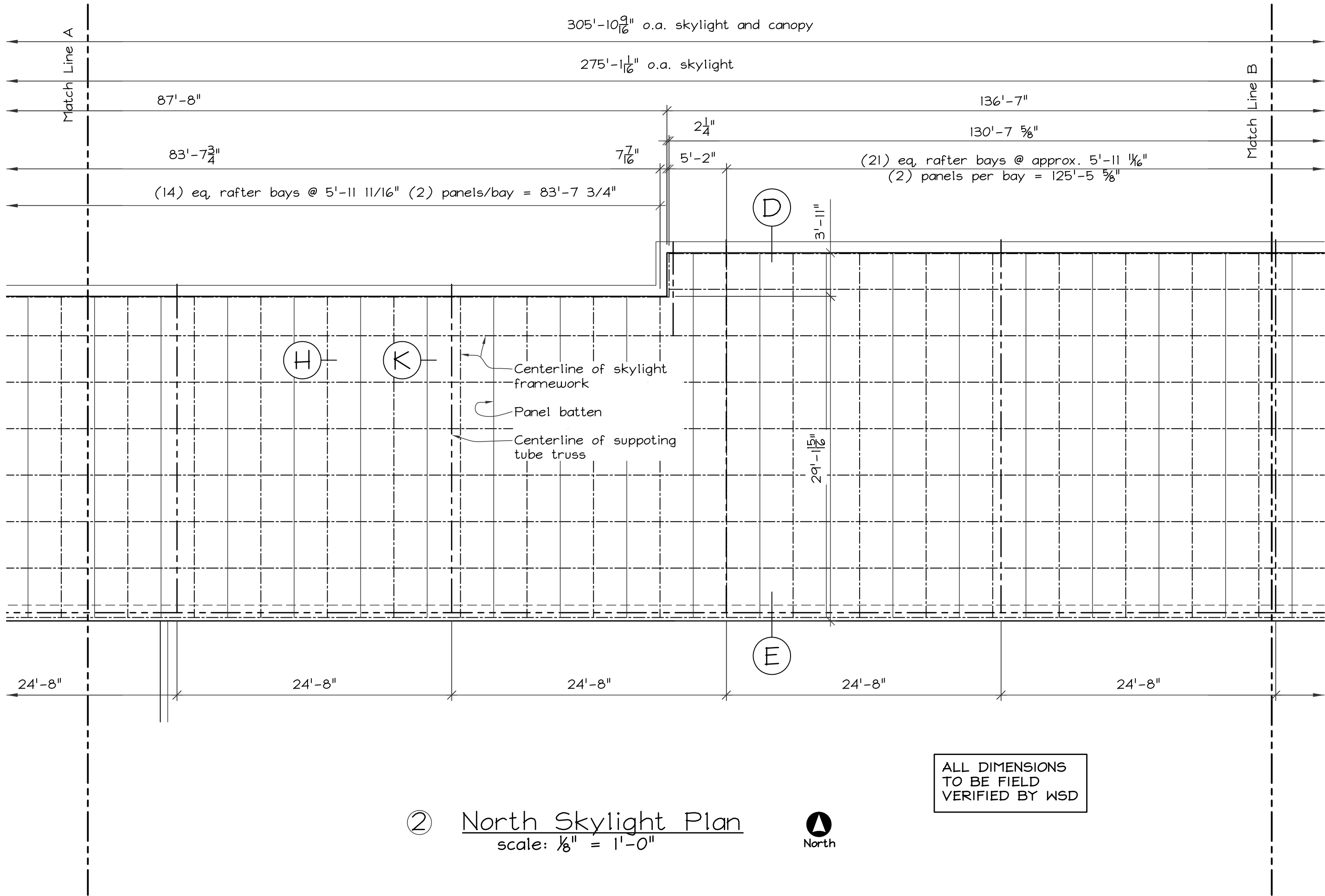


Manufacturer/Installer:
WISCONSIN SOLAR DESIGN
6349 Briarcliff Ln., Middleton, WI 53562

Project:
New Jr.-Sr. High School
700 20th Ave. SW
Independence, IA 50644

Architect:
HSR Associates, Inc.
100 Milwaukee Street
La Crosse, Wisconsin

3 of 21
Issued:
9/17/12



② North Skylight Plan
 scale: 1/8" = 1'-0"



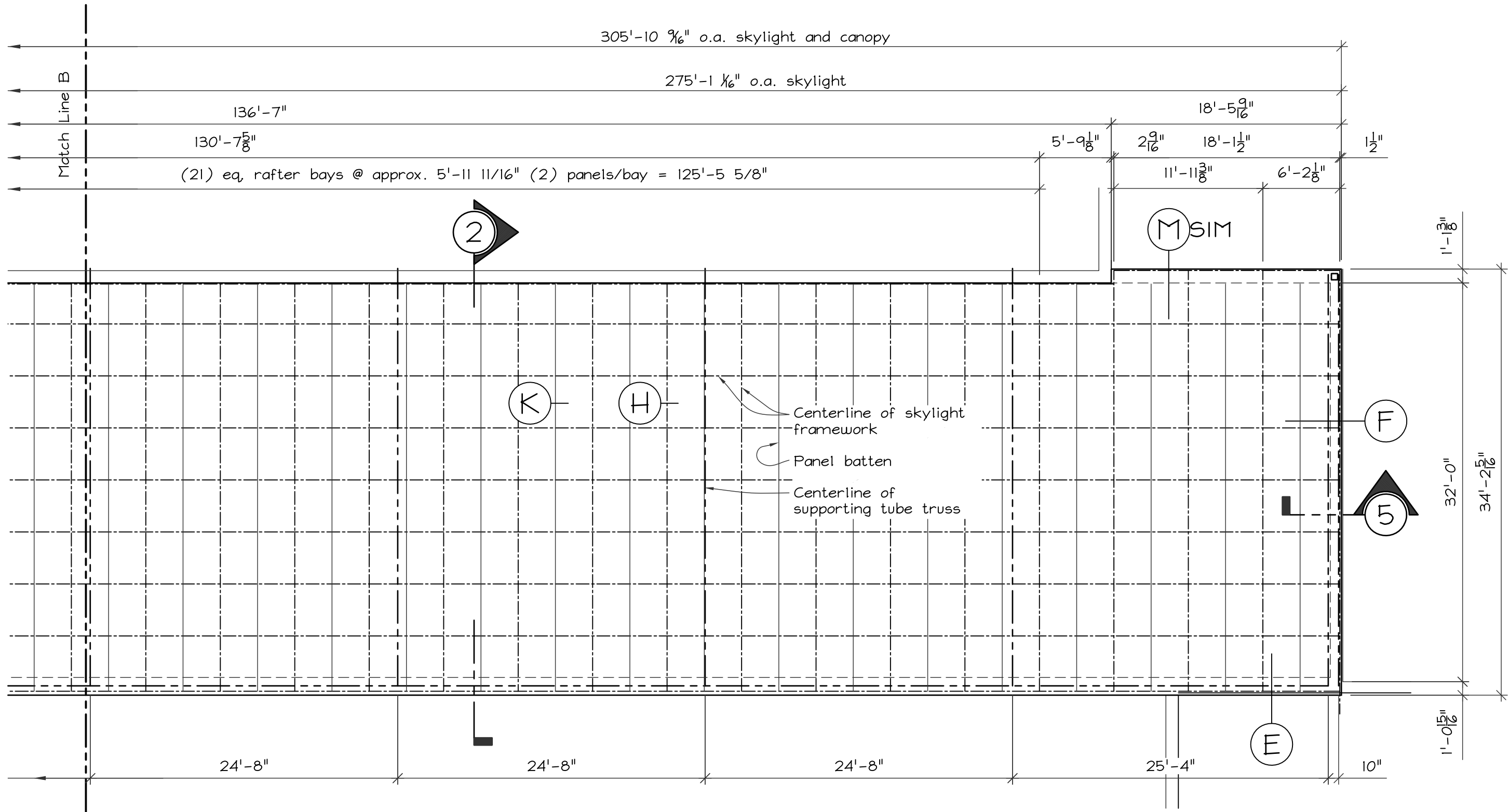
ALL DIMENSIONS
 TO BE FIELD
 VERIFIED BY WSD

Manufacturer/Installer:
WISCONSIN SOLAR DESIGN
 6349 Briarcliff Ln., Middleton, WI 53562

Project:
 New Jr.-Sr. High School
 700 20th Ave. SW
 Independence, IA 50644

Architect:
 HSR Associates, Inc.
 100 Milwaukee Street
 La Crosse, Wisconsin

4 of 21
 Issued:
 9/17/12



③ North Skylight Plan
 scale: 1/8" = 1'-0"



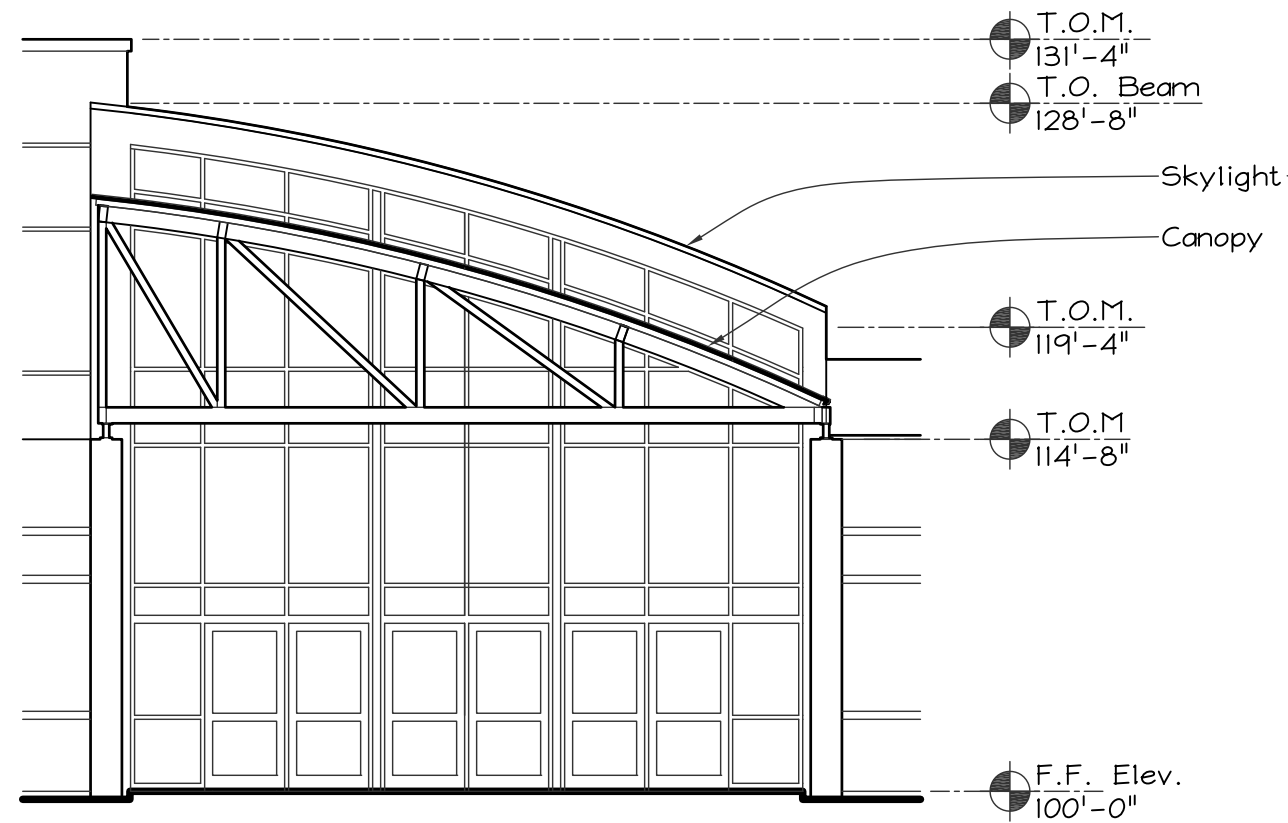
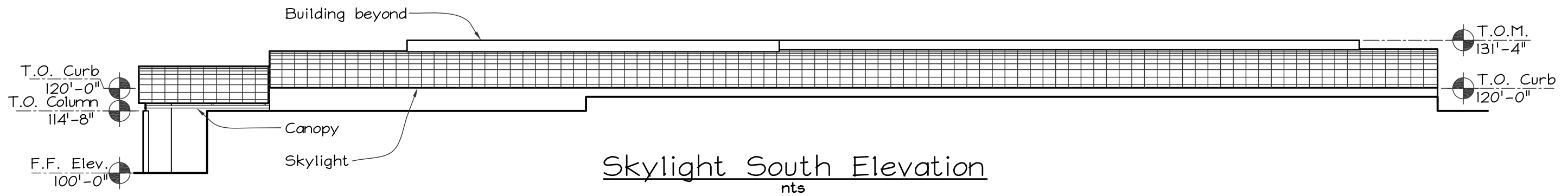
ALL DIMENSIONS
 TO BE FIELD
 VERIFIED BY WSD

Manufacturer/Installer:
WISCONSIN SOLAR DESIGN
 6349 Briarcliff Ln., Middleton, WI 53562

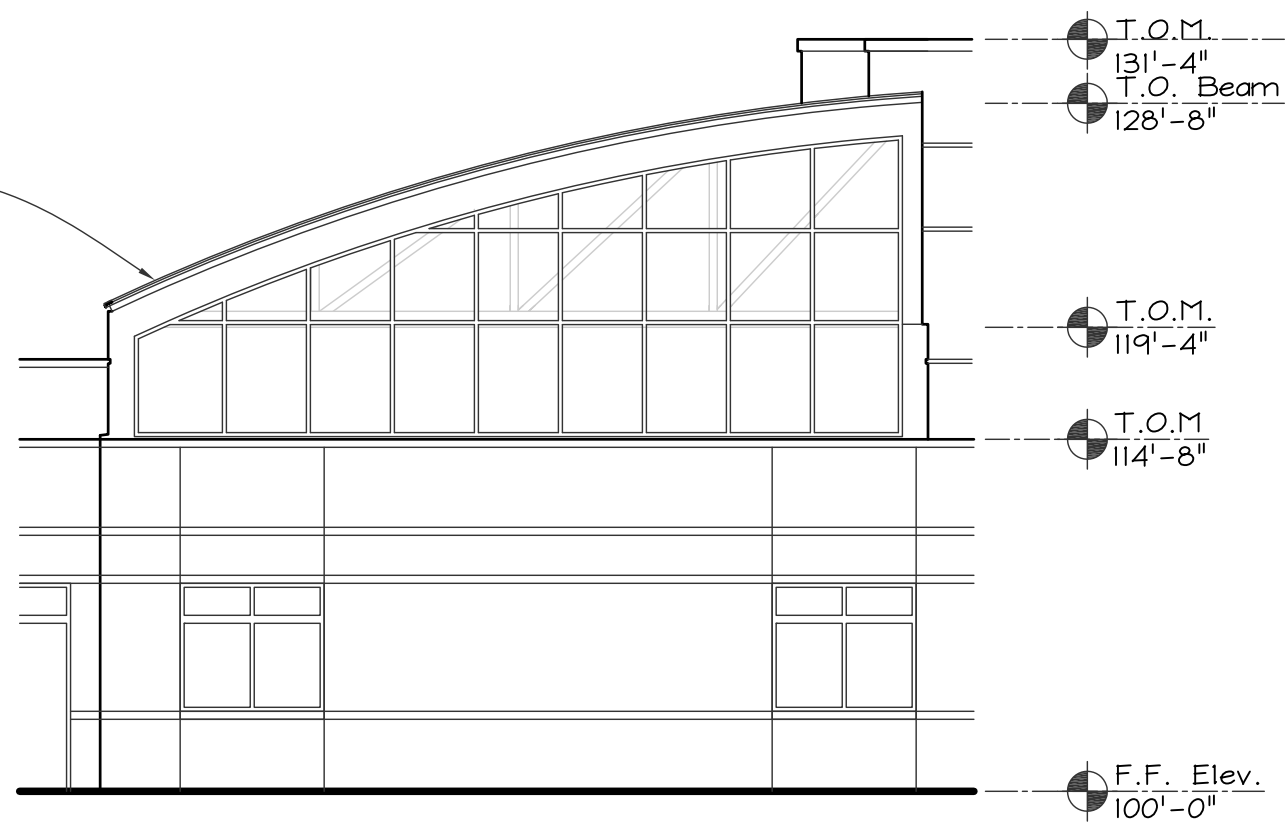
Project:
 New Jr.-Sr. High School
 700 20th Ave. SW
 Independence, IA 50644

Architect:
 HSR Associates, Inc.
 100 Milwaukee Street
 La Crosse, Wisconsin

5 of 21
 Issued:
 9/17/12



West Elevation
scale: 1/8" = 1'-0"



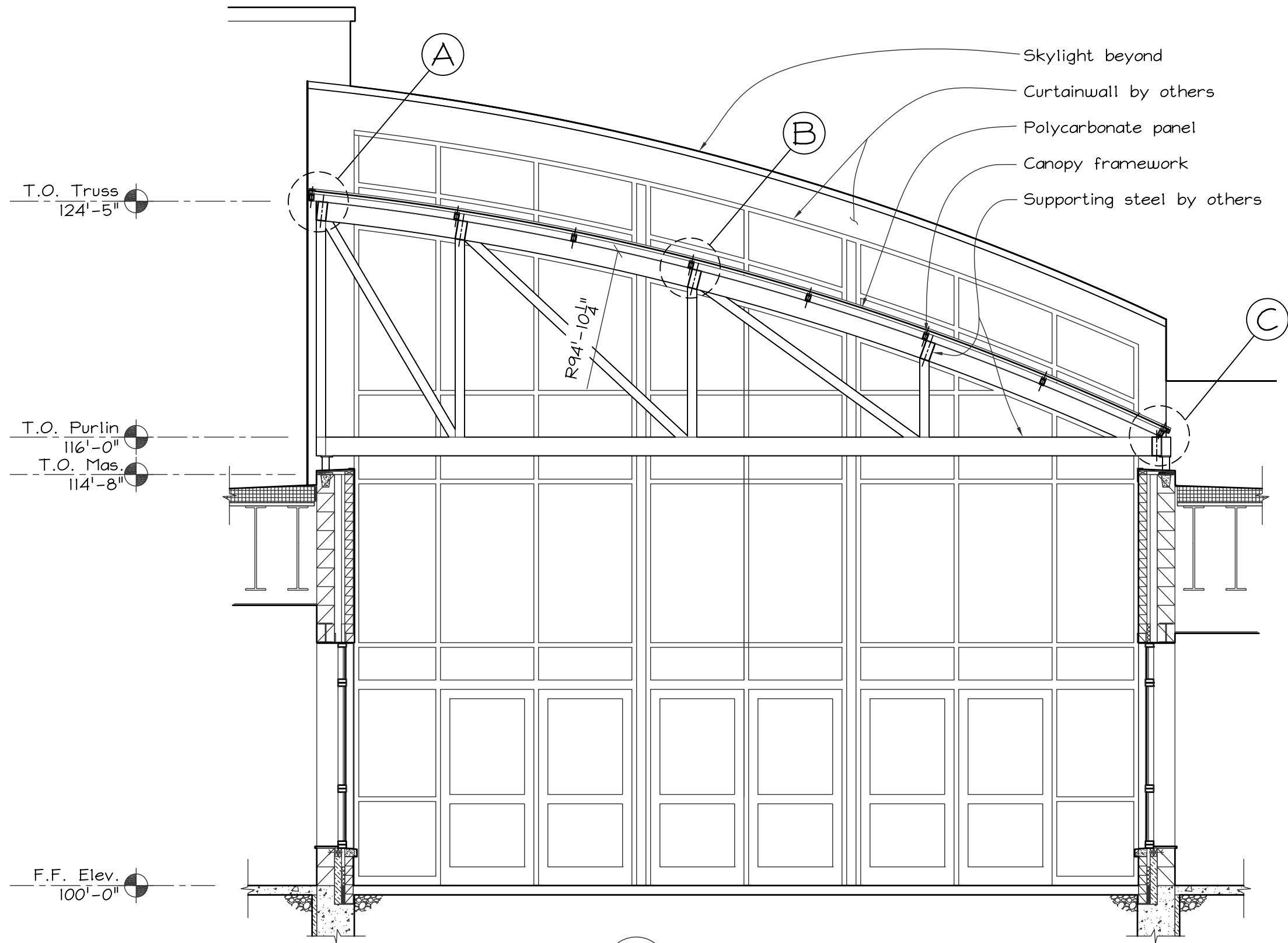
East Elevation
scale: 1/8" = 1'-0"

Manufacturer/Installer:
WISCONSIN SOLAR DESIGN
 6349 Briarcliff Ln., Middleton, WI 53562

Project:
 New Jr.-Sr. High School
 700 20th Ave. SW
 Independence, IA 50644

Architect:
 HSR Associates, Inc.
 100 Milwaukee Street
 La Crosse, Wisconsin

6 of 21
 Issued:
 9/17/12



- Skylight beyond
- Curtainwall by others
- Polycarbonate panel
- Canopy framework
- Supporting steel by others

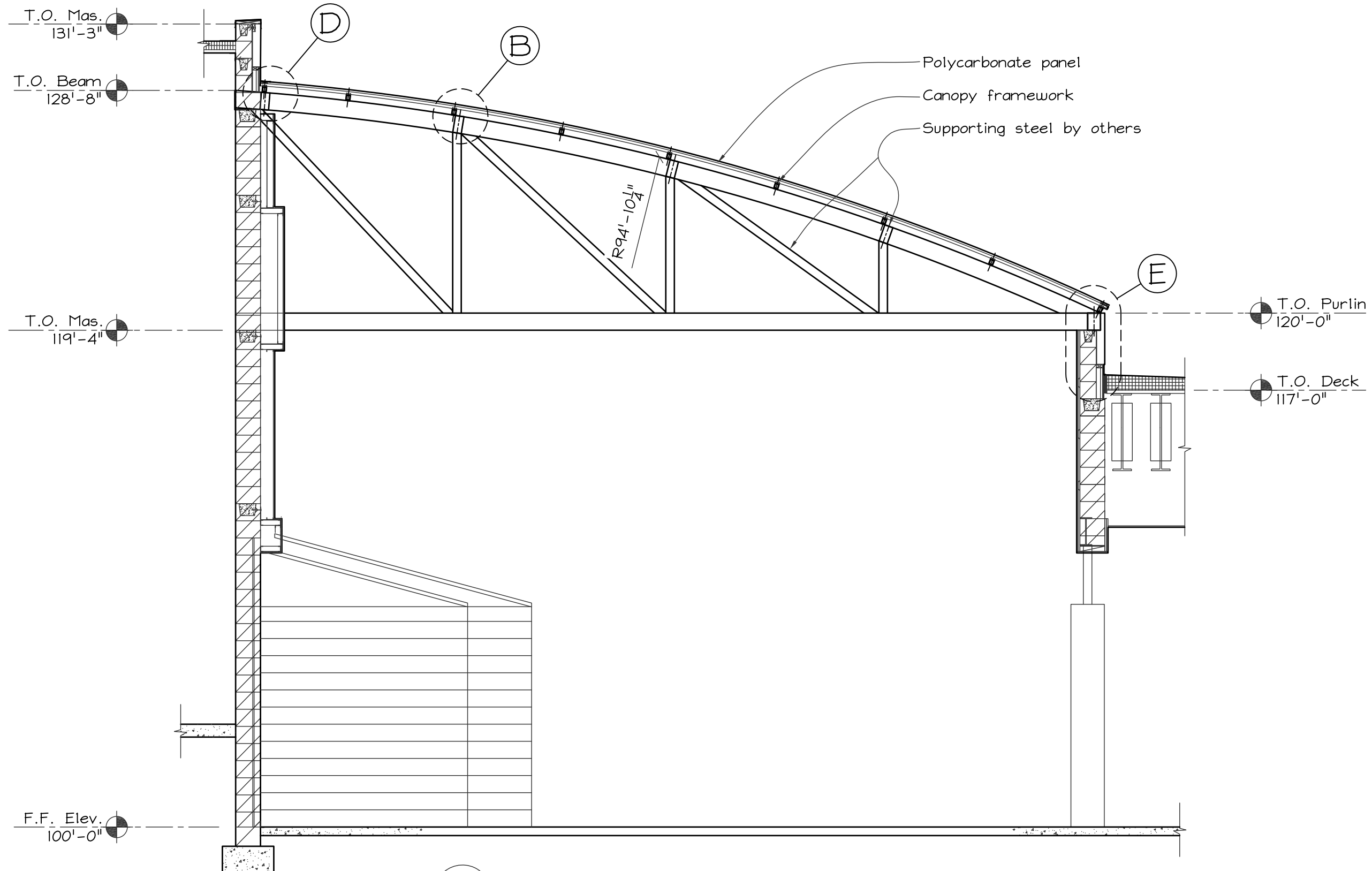
1 Canopy Section
 scale: 1/4" = 1'-0"

Manufacturer/Installer:
WISCONSIN SOLAR DESIGN
 6349 Briarcliff Ln., Middleton, WI 53562

Project:
 New Jr.-Sr. High School
 700 20th Ave. SW
 Independence, IA 50644

Architect:
 HSR Associates, Inc.
 100 Milwaukee Street
 La Crosse, Wisconsin

7 of 21
 Issued:
 9/17/12

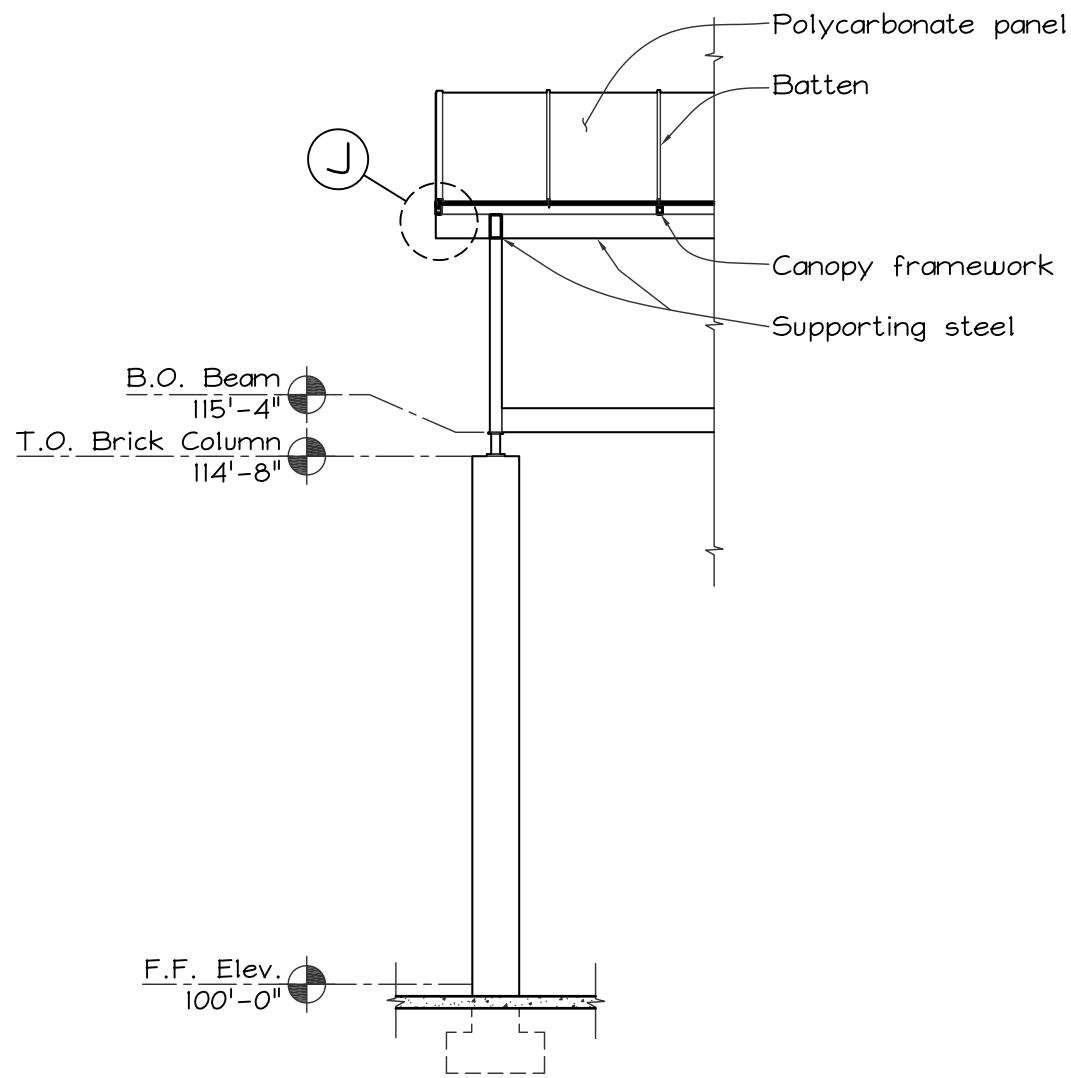


2 Skylight Section
 scale: 1/4" = 1'-0"
 Ref: 1/A300

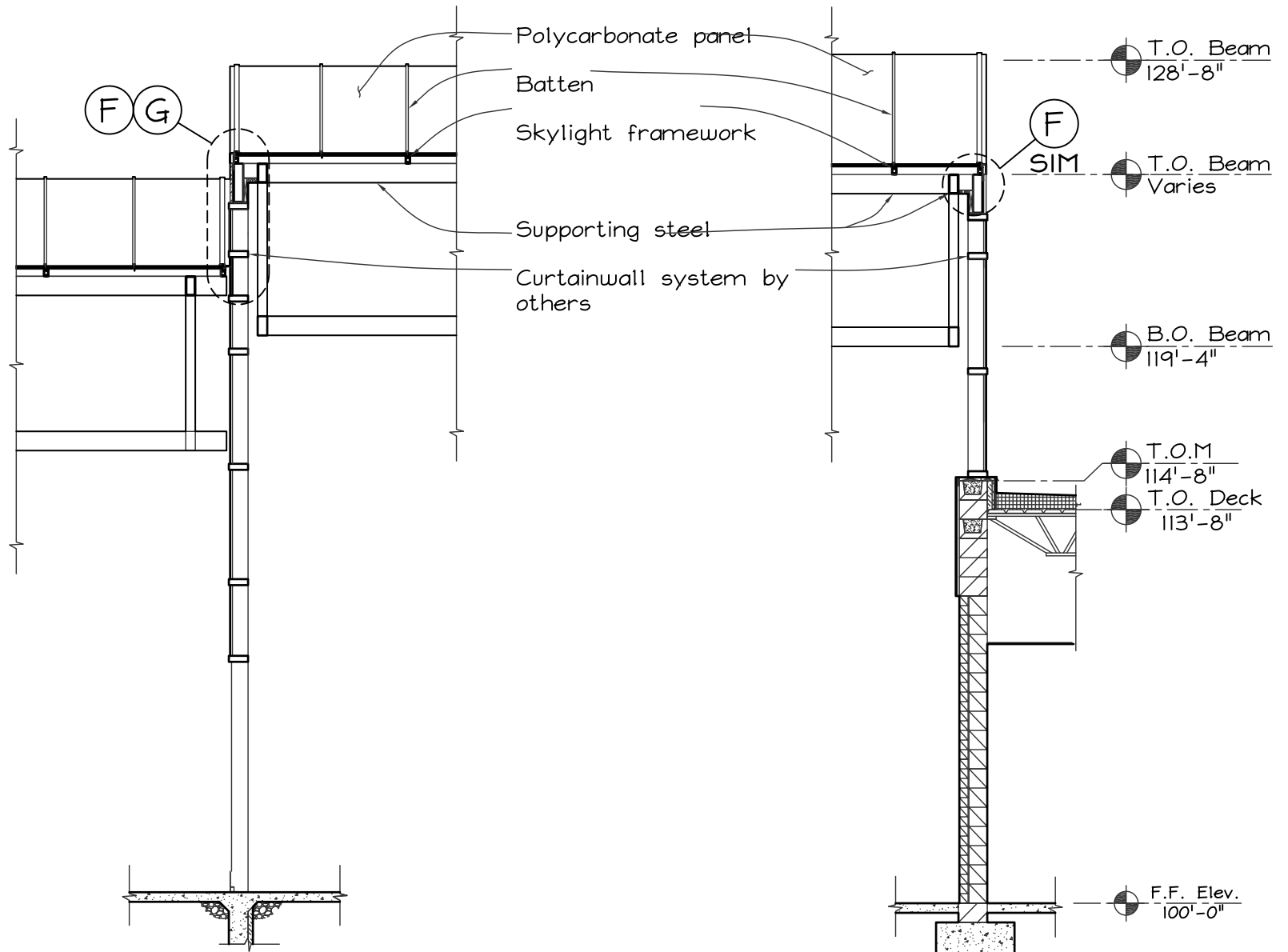
Manufacturer/Installer:
WISCONSIN SOLAR DESIGN
 6349 Briarcliff Ln., Middleton, WI 53562

Project:
 New Jr.-Sr. High School
 700 20th Ave. SW
 Independence, IA 50644

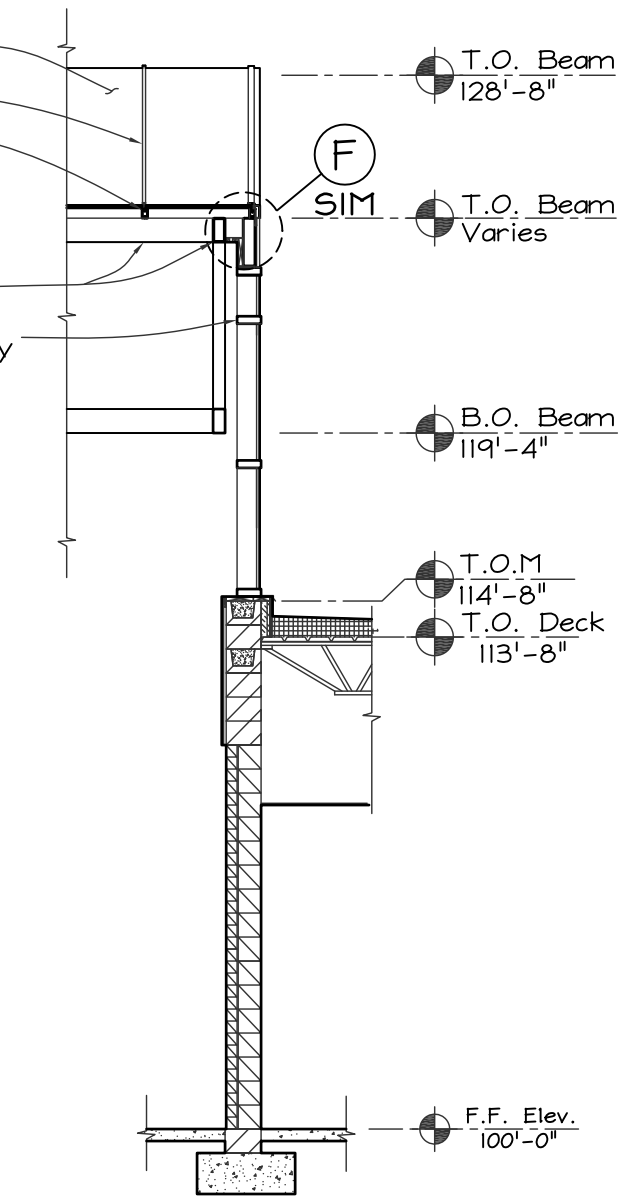
Architect:
 HSR Associates, Inc.
 100 Milwaukee Street
 La Crosse, Wisconsin



3 Section
scale: $\frac{3}{16}'' = 1'-0''$



4 Section
scale: $\frac{3}{16}'' = 1'-0''$

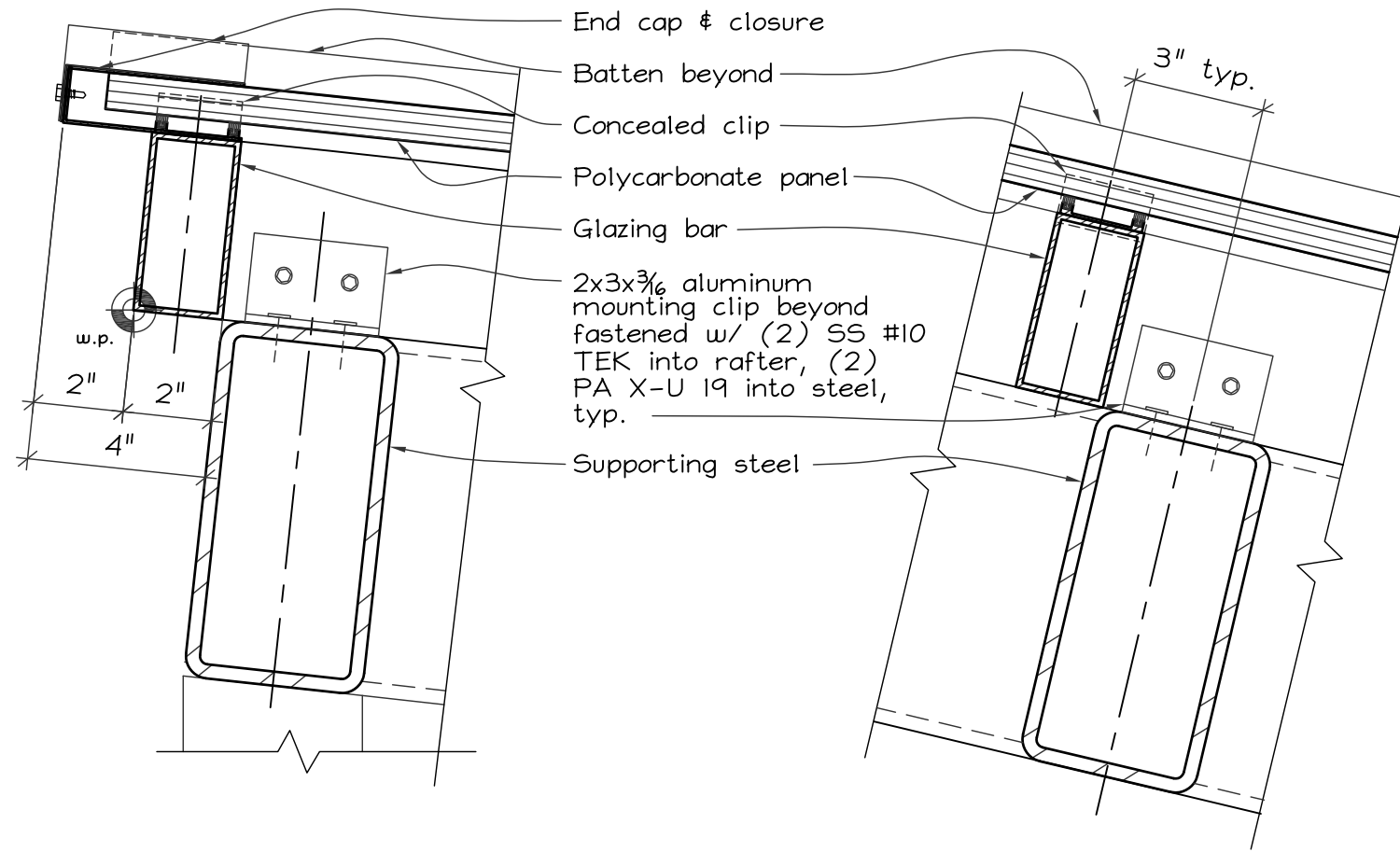


5 Section
scale: $\frac{3}{16}'' = 1'-0''$

Manufacturer/Installer:
WISCONSIN SOLAR DESIGN
6349 Briarcliff Ln., Middleton, WI 53562

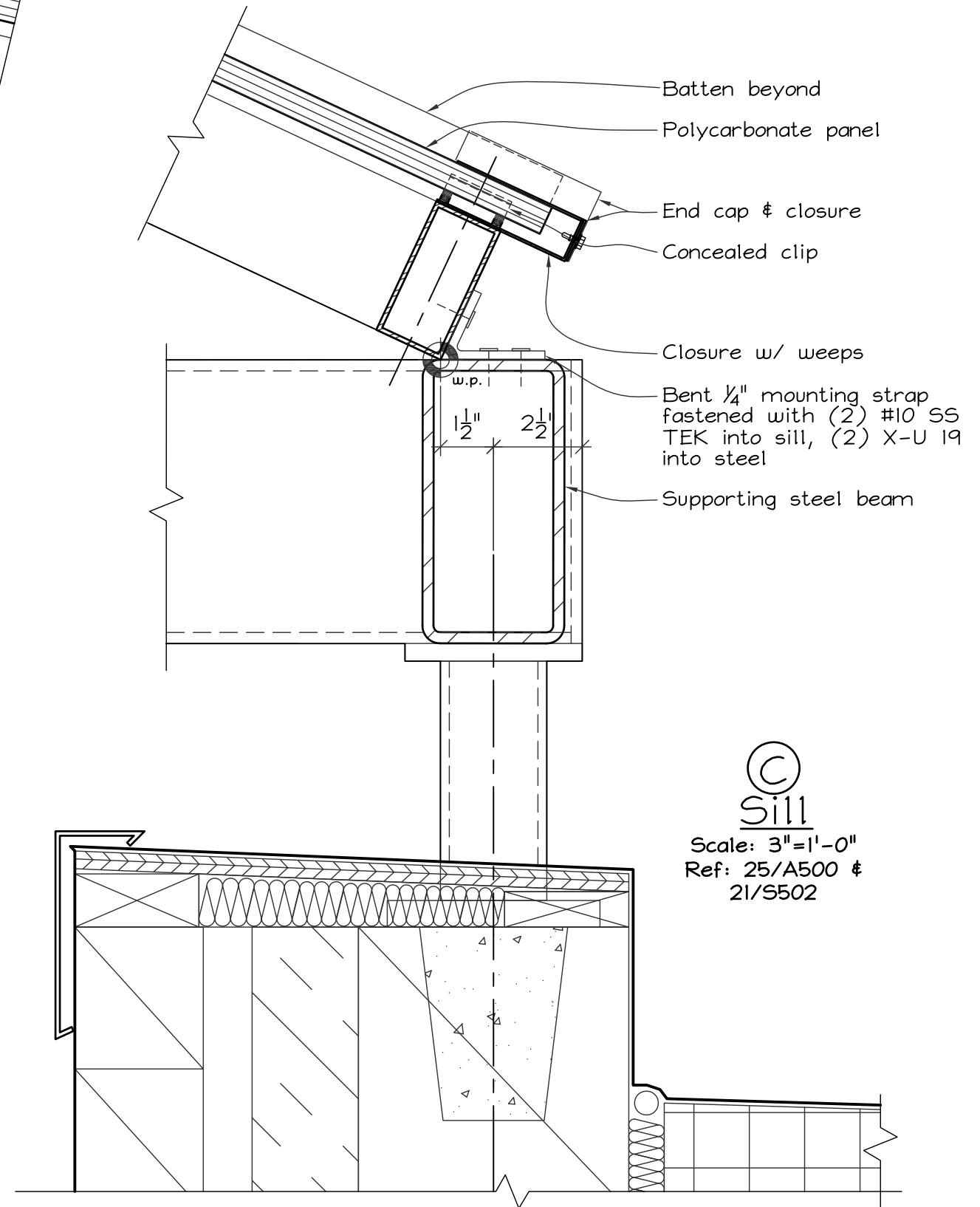
Project:
New Jr.-Sr. High School
700 20th Ave. SW
Independence, IA 50644

Architect:
HSR Associates, Inc.
100 Milwaukee Street
La Crosse, Wisconsin



Ⓐ
 Ridge
 Scale: 3"=1'-0"
 Ref: 23/A500

Ⓑ
 Purlin
 Scale: 3"=1'-0"

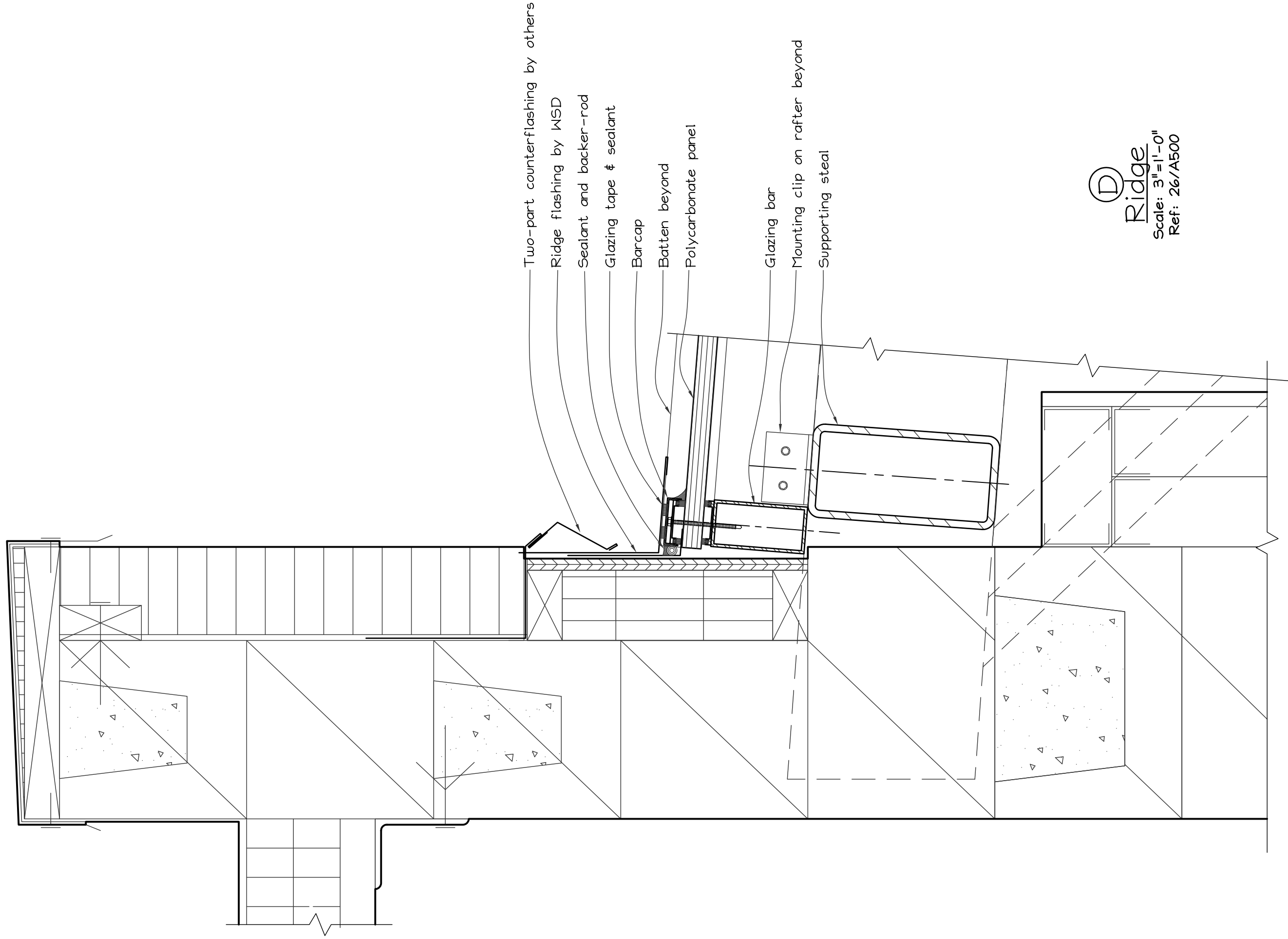


Manufacturer/Installer:
WISCONSIN SOLAR DESIGN
 6349 Briarcliff Ln., Middleton, WI 53562


Project:
 New Jr.-Sr. High School
 700 20th Ave. SW
 Independence, IA 50644

Architect:
 HSR Associates, Inc.
 100 Milwaukee Street
 La Crosse, Wisconsin

10 of 21
 Issued:
 9/17/12




- Two-part counterflashing by others
- Ridge flashing by WSD
- Sealant and backer-rod
- Glazing tape & sealant
- Barcap
- Batten beyond
- Polycarbonate panel
- Glazing bar
- Mounting clip on rafter beyond
- Supporting steel



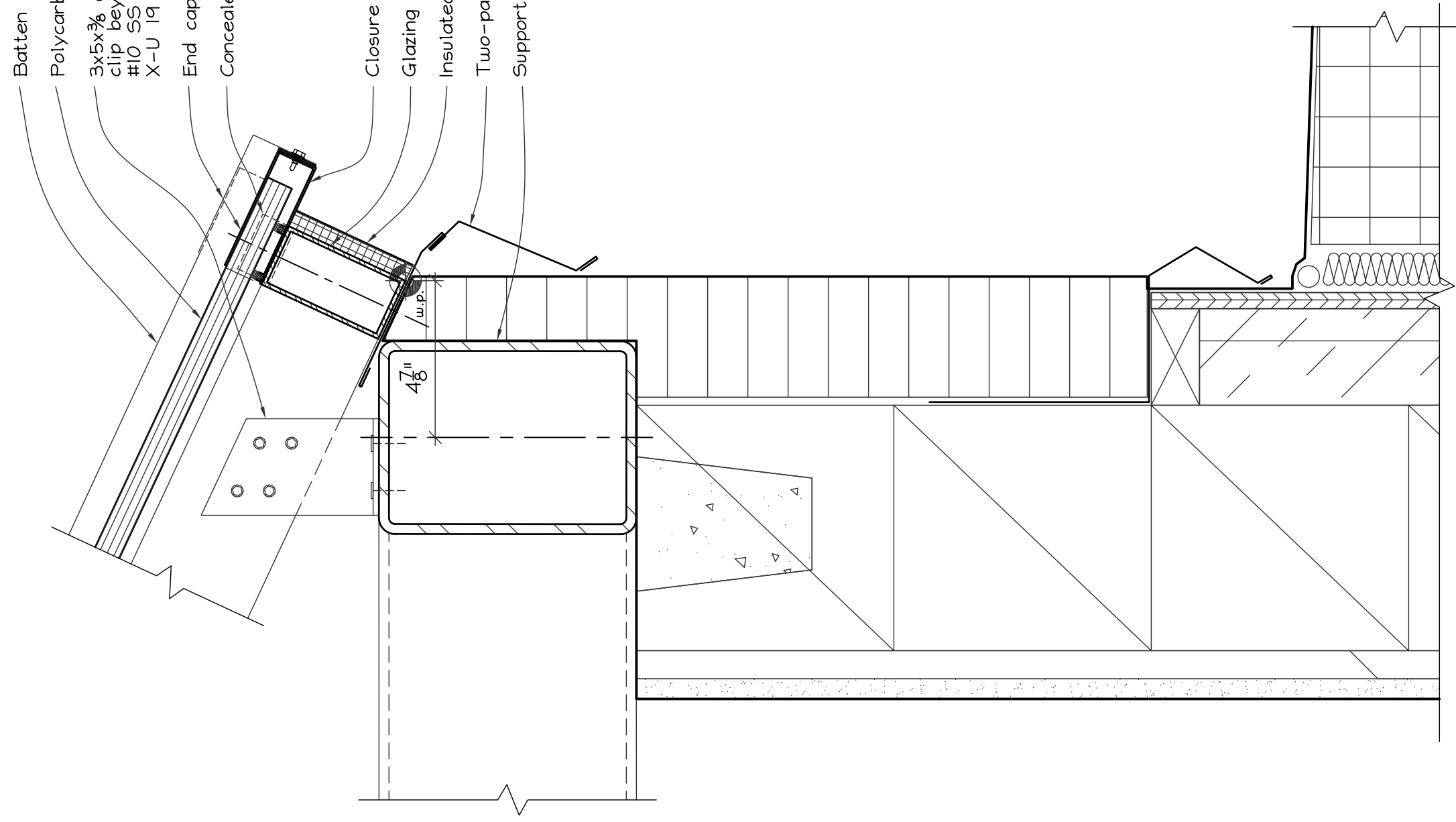
Ridge
 Scale: 3"=1'-0"
 Ref: 26/A500

Architect:
 HSR Associates, Inc.
 100 Milwaukee Street
 La Crosse, Wisconsin

Project:
 New Jr.-Sr. High School
 700 20th Ave. SW
 Independence, IA 50644

Manufacturer/Installer:

WISCONSIN SOLAR DESIGN
 6349 Briarcliff Ln., Middleton, WI 53562

- Batten beyond
- Polycarbonate panel
- 3x5x $\frac{3}{8}$ aluminum mounting clip beyond fastened w/ (4) #10 SS TEKs to rafter, (2) X-U 19 into steel
- End cap & closure
- Concealed clip
- Closure w/ weeps
- Glazing bar
- Insulated closure
- Two-part flashing by WSD
- Supporting steel



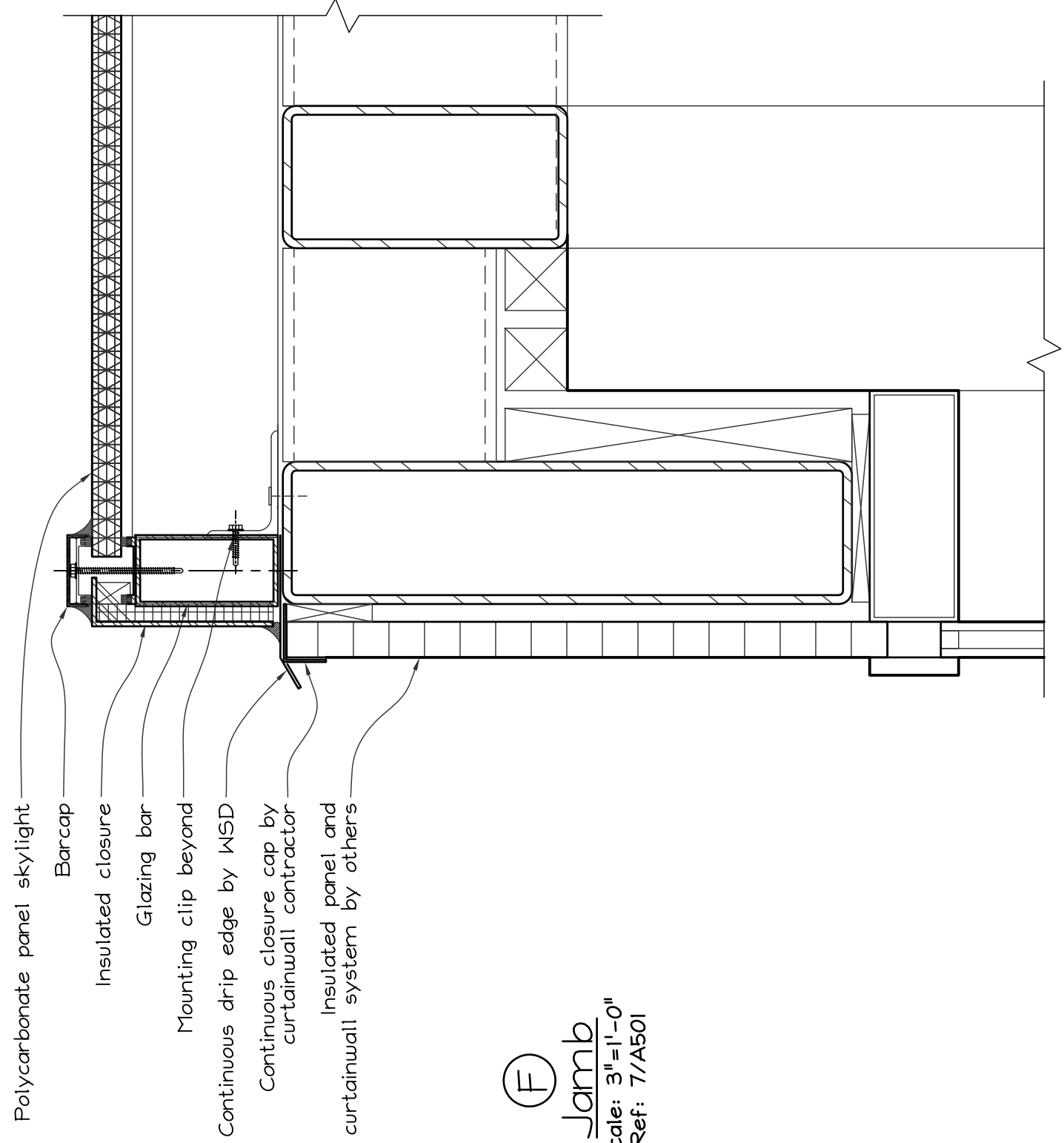
(E)
Sill

Scale: 3" = 1'-0"
Ref: 18/A500

Architect:
HSR Associates, Inc.
100 Milwaukee Street
La Crosse, Wisconsin

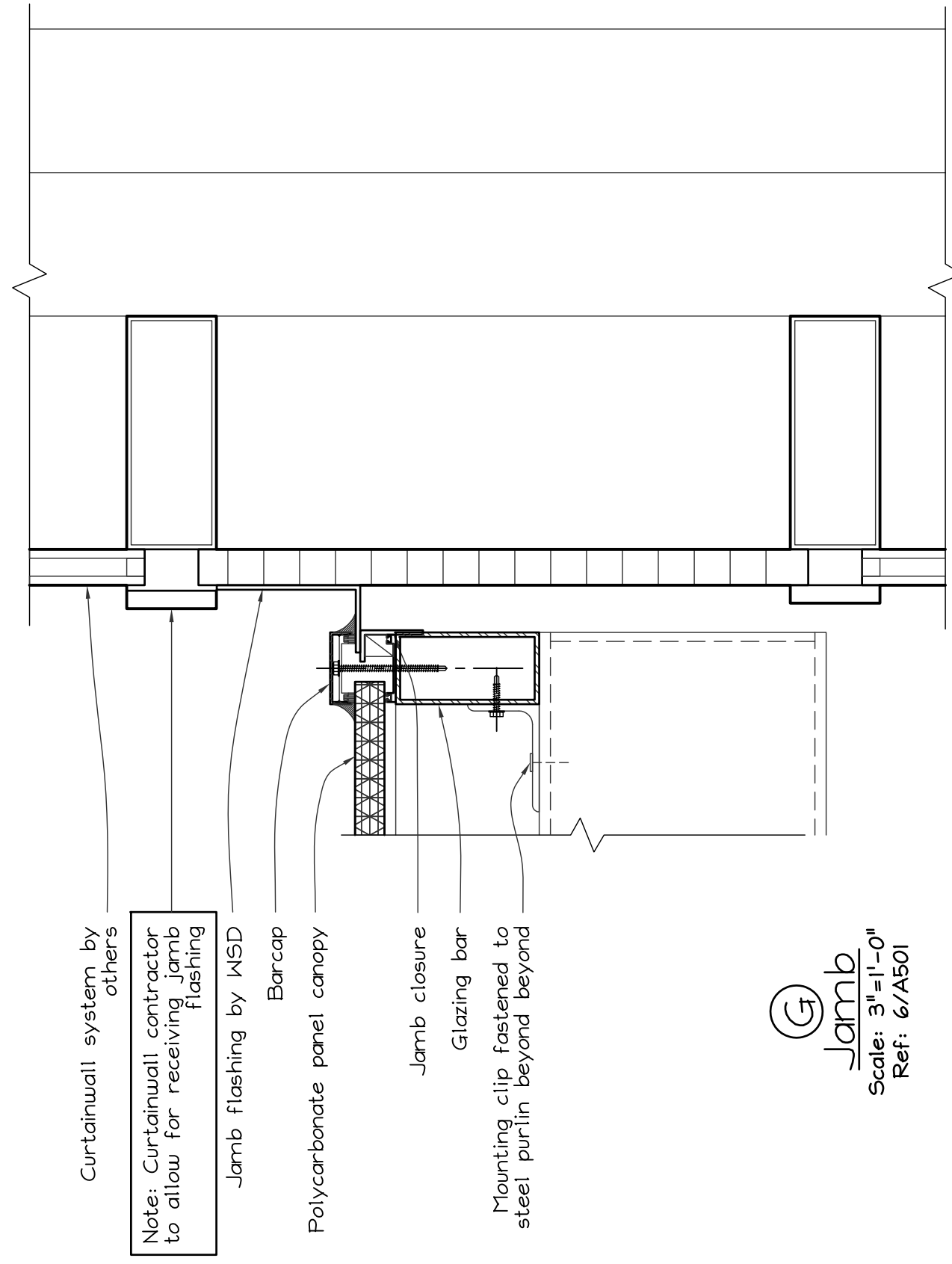
Project:
New Jr.-Sr. High School
700 20th Ave. SW
Independence, IA 50644

Manufacturer/Installer:
WISCONSIN SOLAR DESIGN
6349 Briarcliff Ln., Middleton, WI 53562



Polycarbonate panel skylight
 Barcap
 Insulated closure
 Glazing bar
 Mounting clip beyond
 Continuous drip edge by WSD
 Continuous closure cap by
 curtainwall contractor
 Insulated panel and
 curtainwall system by others

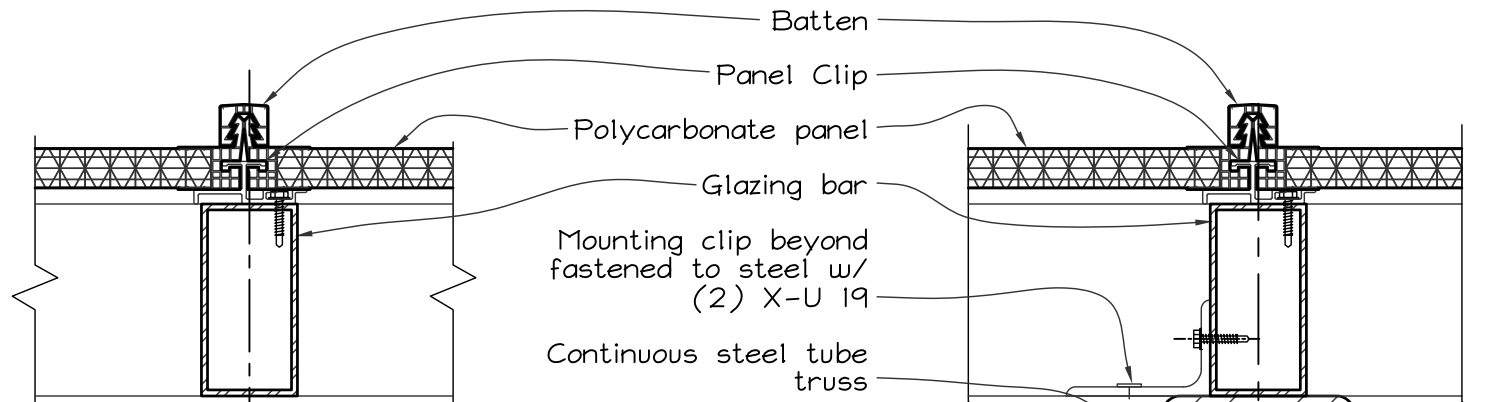
(F)
Jamb
 Scale: 3"=1'-0"
 Ref: 7/A501



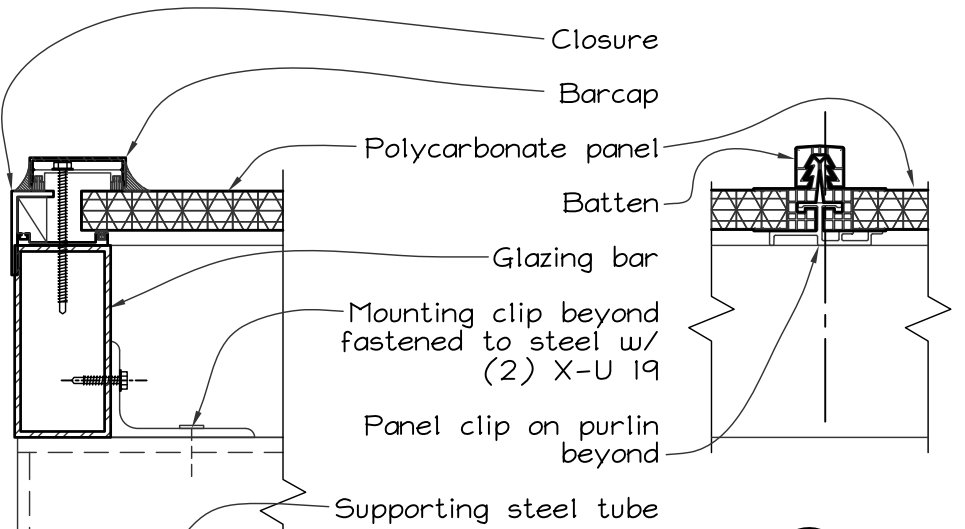
Curtainwall system by
 others
 Jamb flashing by WSD
 Barcap
 Polycarbonate panel canopy
 Jamb closure
 Glazing bar
 Mounting clip fastened to
 steel purlin beyond

Note: Curtainwall contractor
 to allow for receiving jamb
 flashing

(G)
Jamb
 Scale: 3"=1'-0"
 Ref: 6/A501

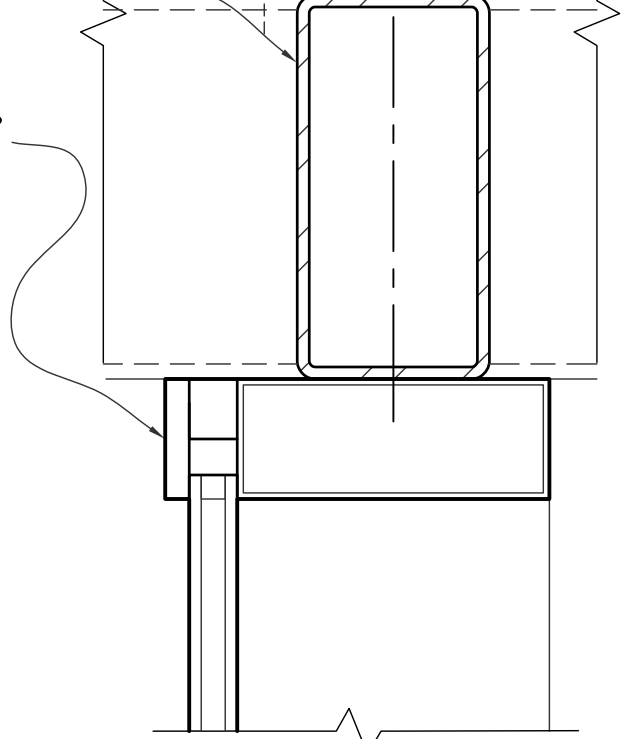


H
Rafter
 Scale: 3"=1'-0"

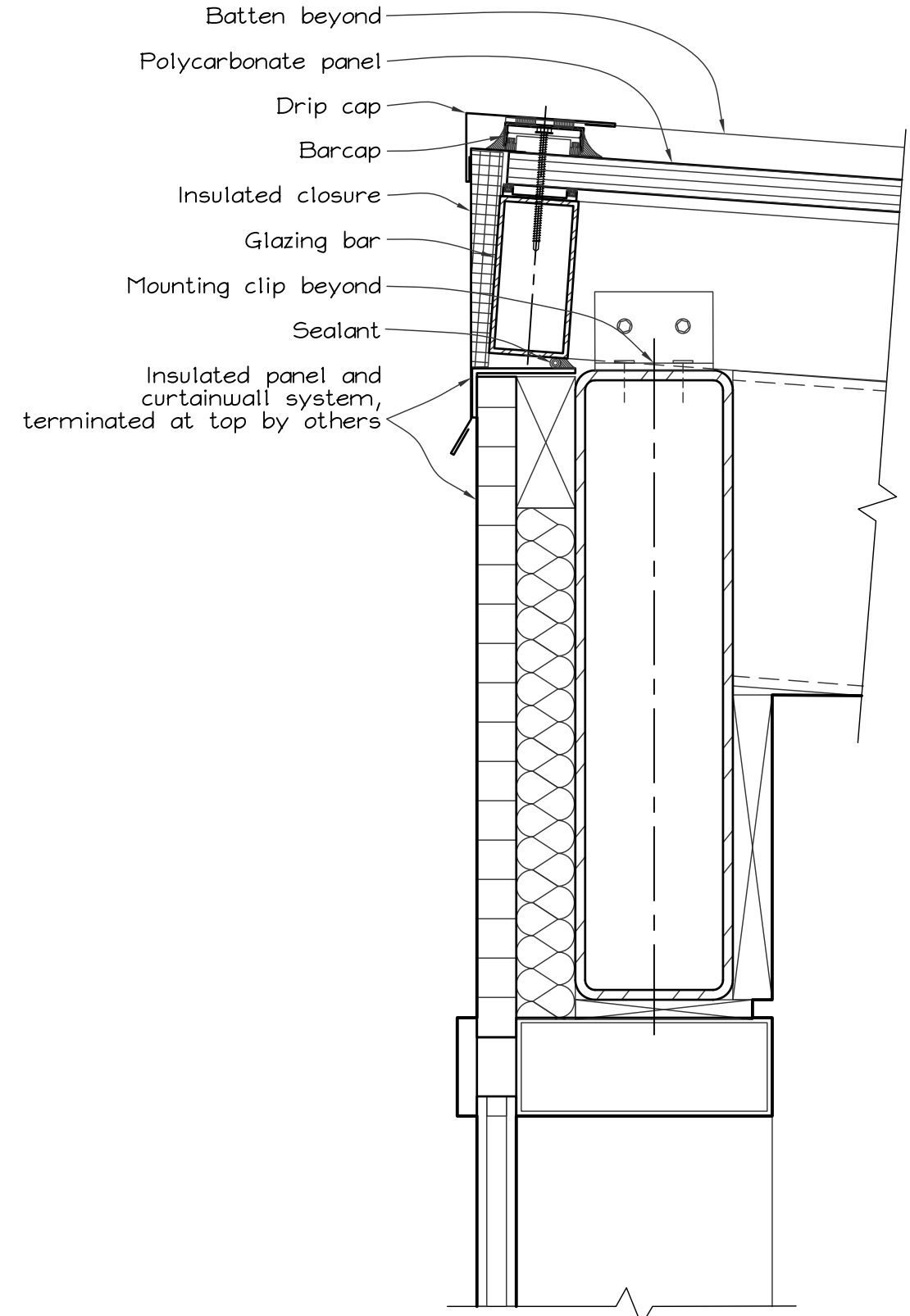


J
Jamb
 Scale: 3"=1'-0"

K
Intermediate Batten
 Scale: 3"=1'-0"



L
Rafter @ Curtainwall
 Scale: 3"=1'-0"
 Ref: 8/A501



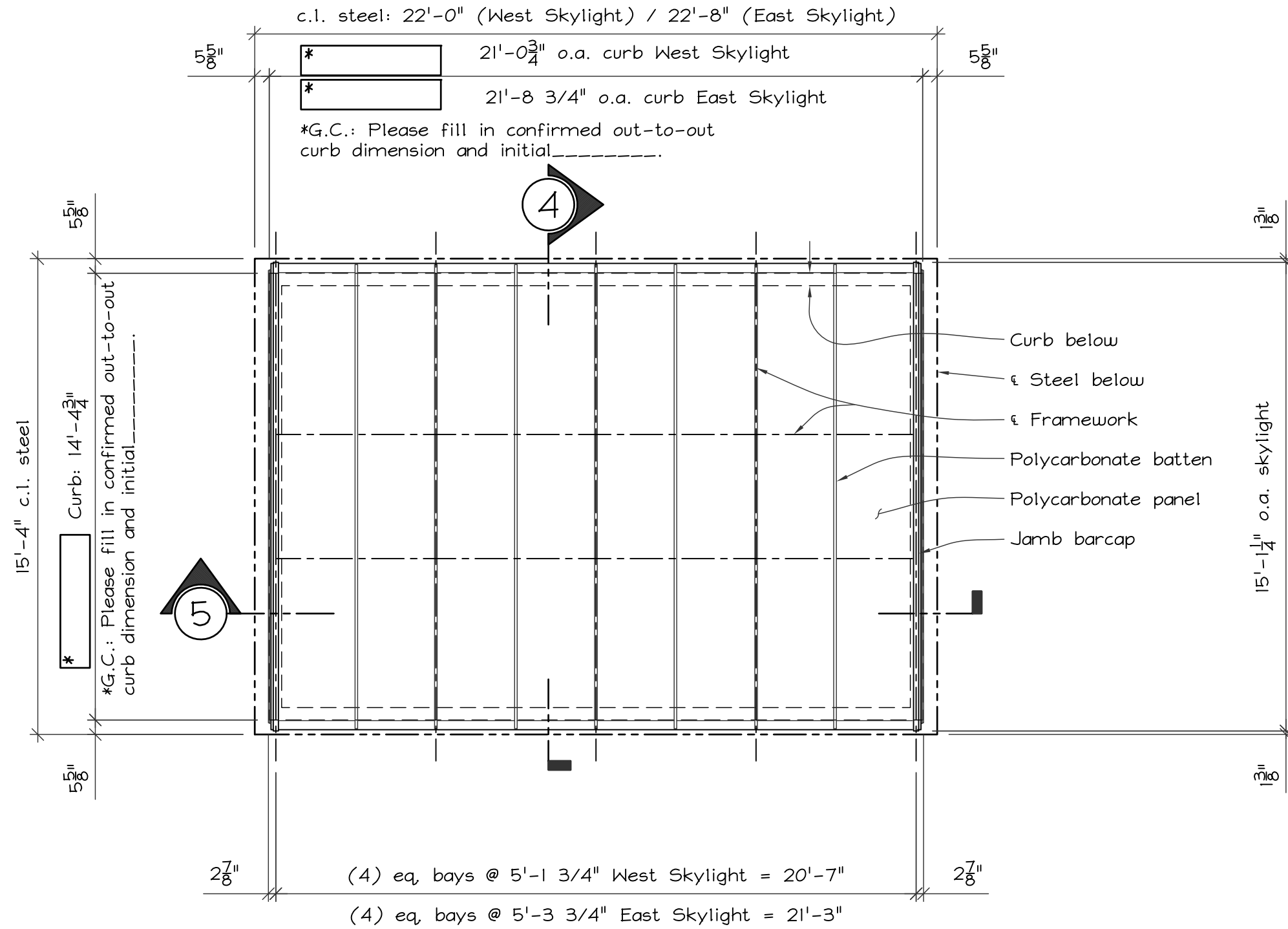
M **M**
 SIM
Ridge
 Scale: 3"=1'-0"
 Ref: 5/A501-SIM 22/A500

Manufacturer/Installer:
WISCONSIN SOLAR DESIGN
 6349 Briarcliff Ln., Middleton, WI 53562

Project:
 New Jr.-Sr. High School
 700 20th Ave. SW
 Independence, IA 50644

Architect:
 HSR Associates, Inc.
 100 Milwaukee Street
 La Crosse, Wisconsin

14 of 21
 Issued:
 9/17/12



East & West Skylight Plans

scale: 1/4" = 1'-0"

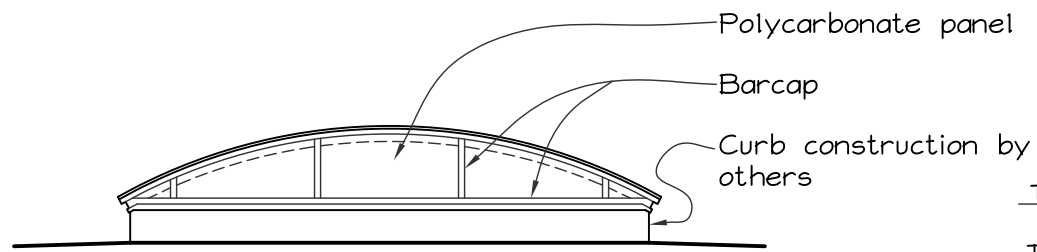


Manufacturer/Installer:
WISCONSIN SOLAR DESIGN
 6349 Briarcliff Ln., Middleton, WI 53562

Project:
 New Jr.-Sr. High School
 700 20th Ave. SW
 Independence, IA 50644

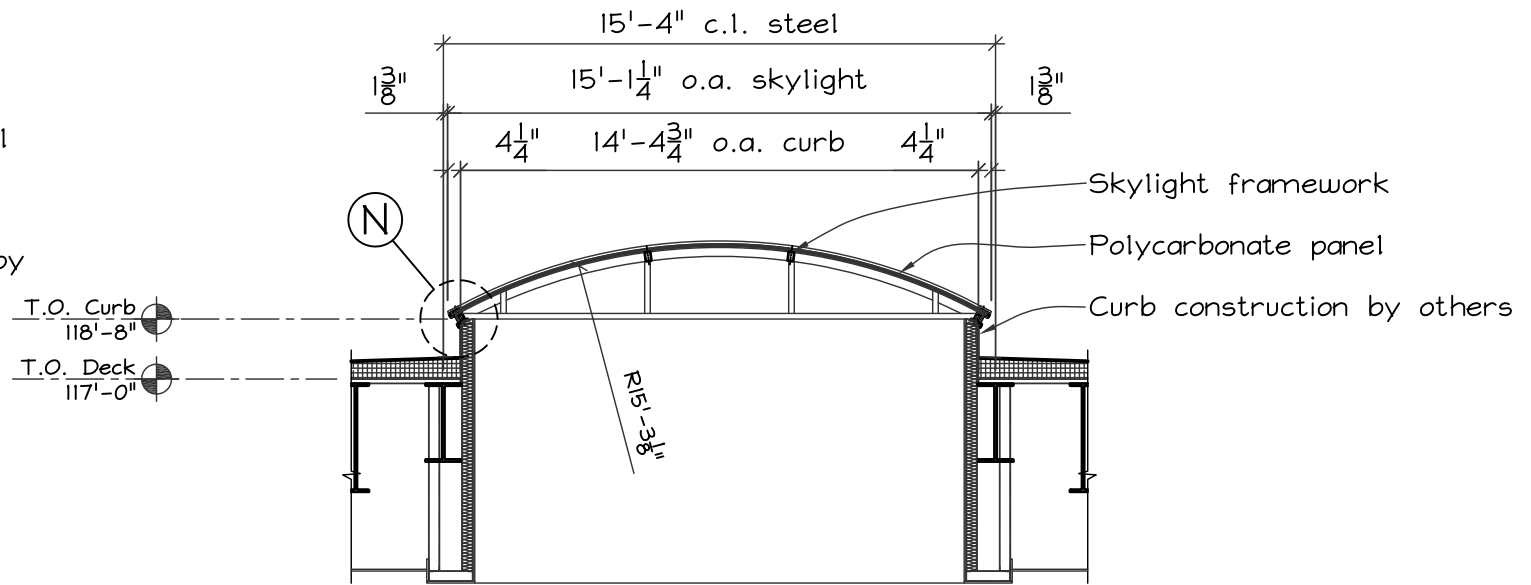
Architect:
 HSR Associates, Inc.
 100 Milwaukee Street
 La Crosse, Wisconsin

15 of 21
 Issued:
 9/17/12



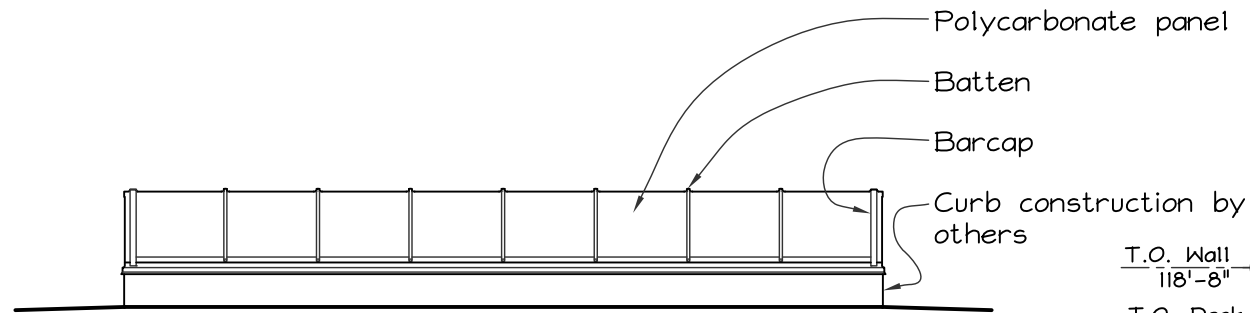
End Elevation

(4) thus
scale: $\frac{3}{16}'' = 1'-0''$



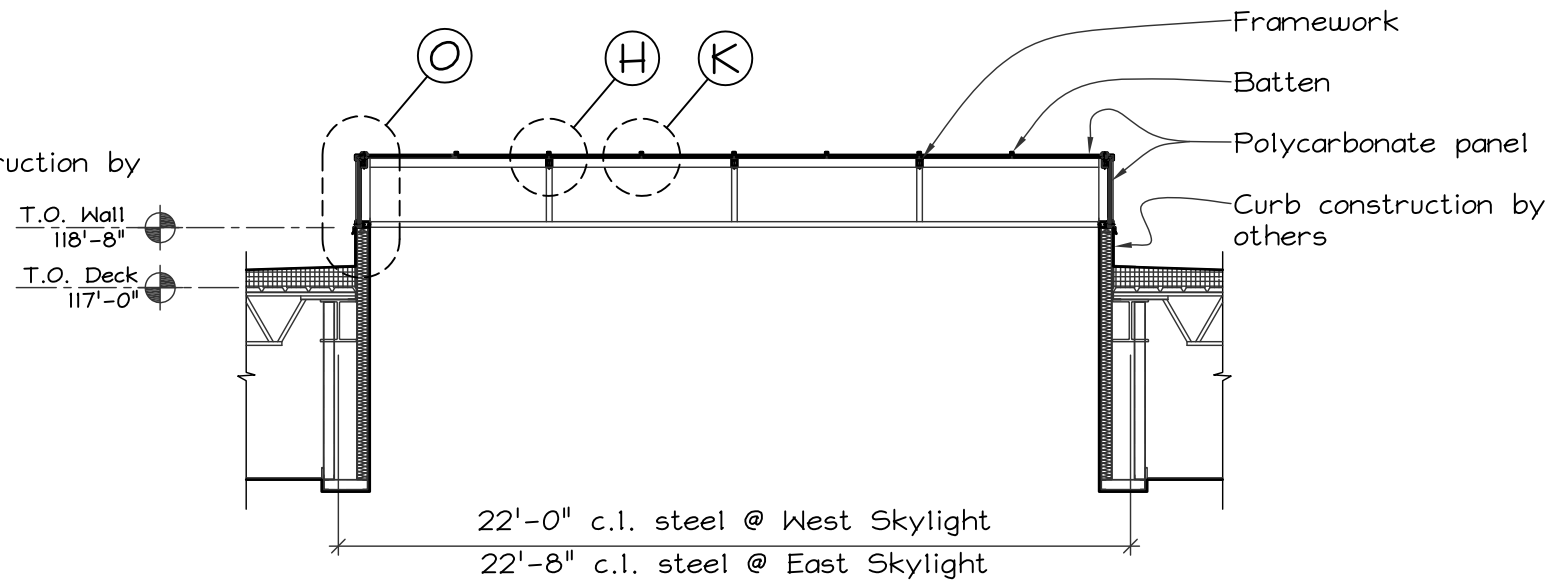
④ East & West Skylight Sections

scale: $\frac{3}{16}'' = 1'-0''$



Side Elevation

(4) thus
scale: $\frac{3}{16}'' = 1'-0''$



⑤ East & West Skylight Sections

scale: $\frac{3}{16}'' = 1'-0''$

Manufacturer/Installer:

WISCONSIN SOLAR DESIGN

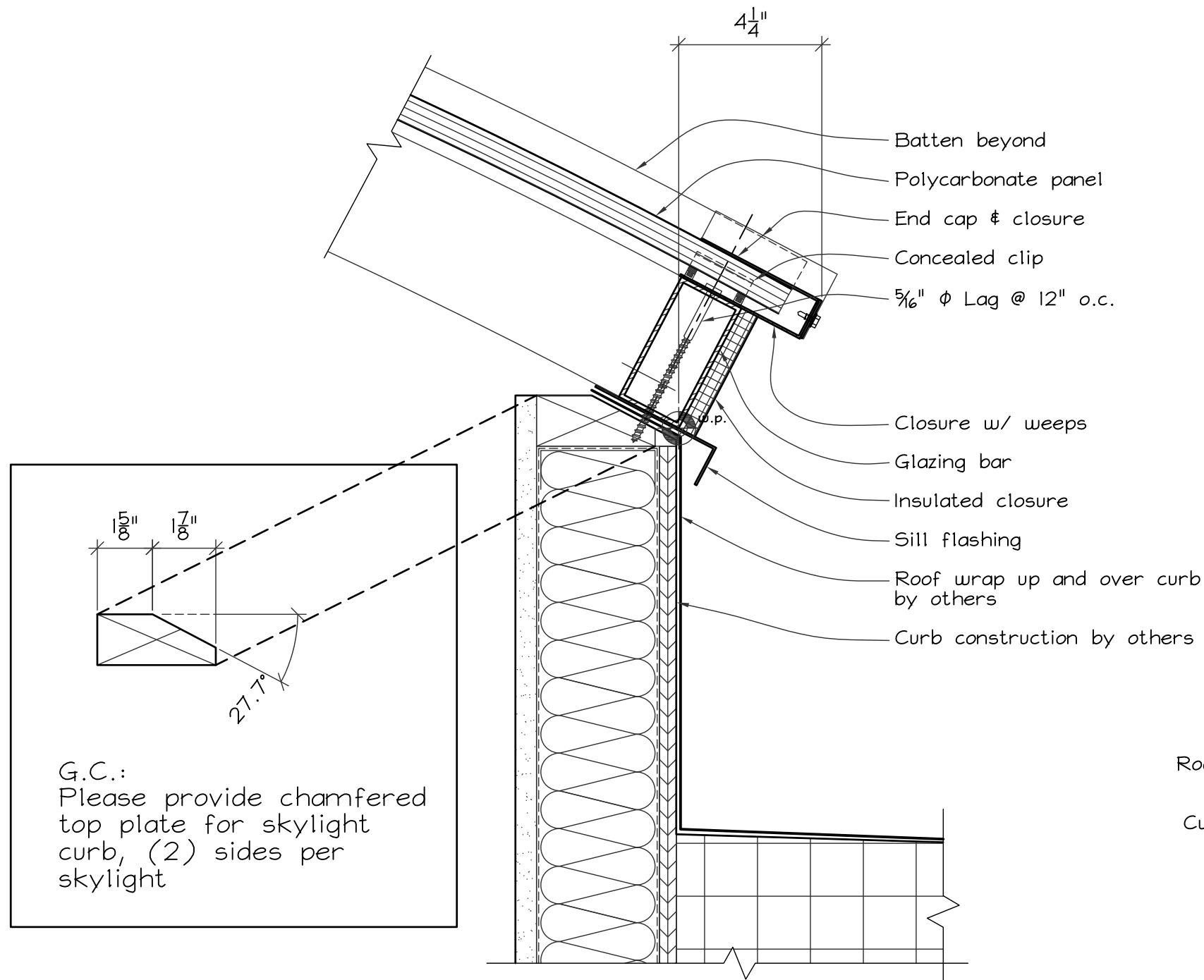
6349 Briarcliff Ln., Middleton, WI 53562

Project:


New Jr.-Sr. High School
700 20th Ave. SW
Independence, IA 50644

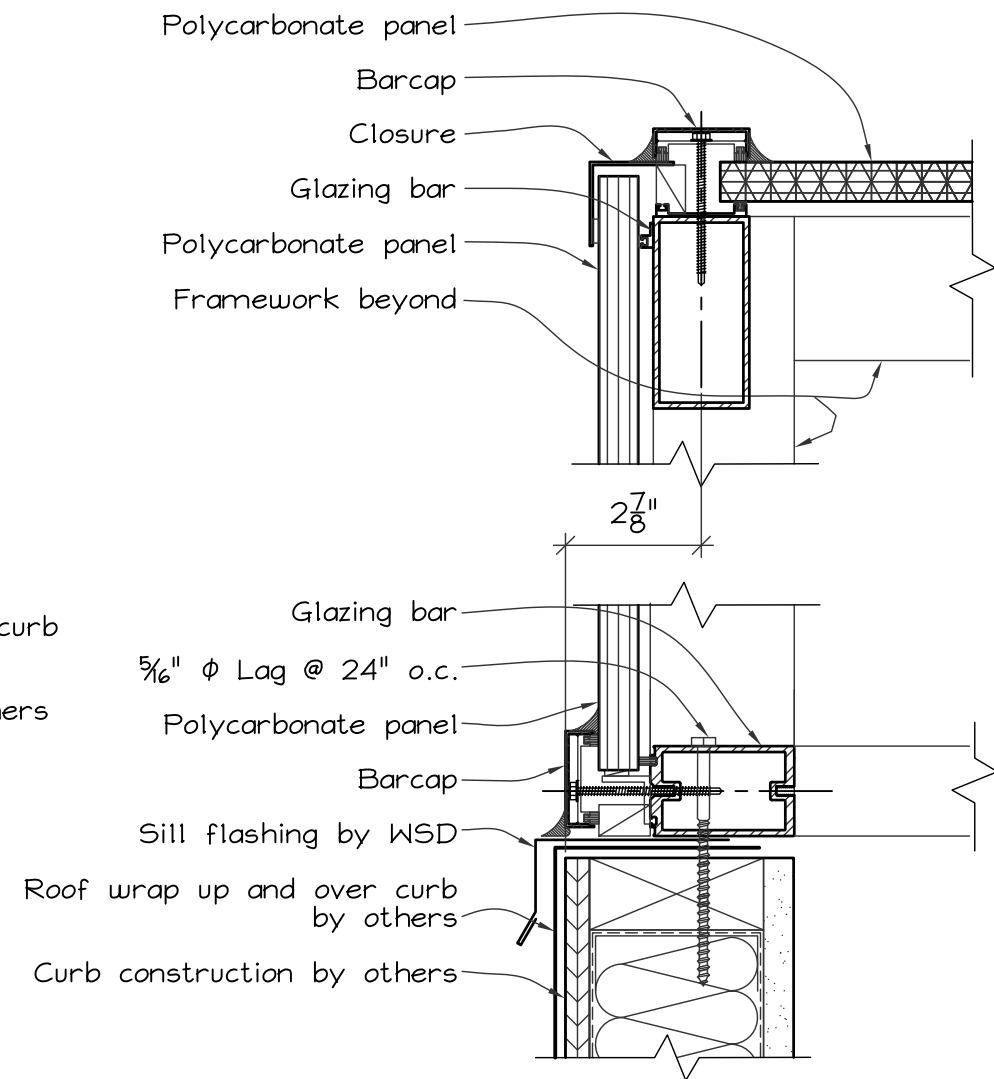
Architect:


HSR Associates, Inc.
100 Milwaukee Street
La Crosse, Wisconsin



G.C.:
Please provide chamfered top plate for skylight curb, (2) sides per skylight


 Sill
 Scale: 3"=1'-0"
 Ref: 13/A500




 Jamb
 Scale: 3"=1'-0"
 Ref: 14/A500

Manufacturer/Installer:
WISCONSIN SOLAR DESIGN
 6349 Briarcliff Ln., Middleton, WI 53562

Project:
 New Jr.-Sr. High School
 700 20th Ave. SW
 Independence, IA 50644

Architect:
 HSR Associates, Inc.
 100 Milwaukee Street
 La Crosse, Wisconsin