

# CORALVILLE PUBLIC LIBRARY ADDITION & REMODEL

## 1401 5TH STREET, CORALVILLE, IA

### SKYLIGHT SHOP DRAWINGS

PRODUCT DATA

Glass: Glass is  $\frac{1}{4}$ " grey reflected tempered over  $\frac{3}{8}$ " clear laminated inner lite with .060" PVB interlayer, low-E #3.

Framework: Extruded aluminum members with Class I clear anodic coating not less than 0.7 mils thick.

Warranty: Skylight system including leakage and glass seal failure, 5 years.

NOTES

1. General Contractor please fill in out-to-out curb dimensions on page 2 noted thus: \*
2. Wisconsin Solar Design is an approved skylight manufacturer per addendum 2.

OWNER:

City of Coralville  
1512 7th Street  
Coralville, IA 52241

ARCHITECT:

Neumann Monson Architects  
111 East College Street  
Iowa City, IA 52240

INDEX

- 1- Title page
- 2- Skylight plan
- 3- Skylight elevation/cross-section
- 4- Skylight details

DRAWING APPROVAL:

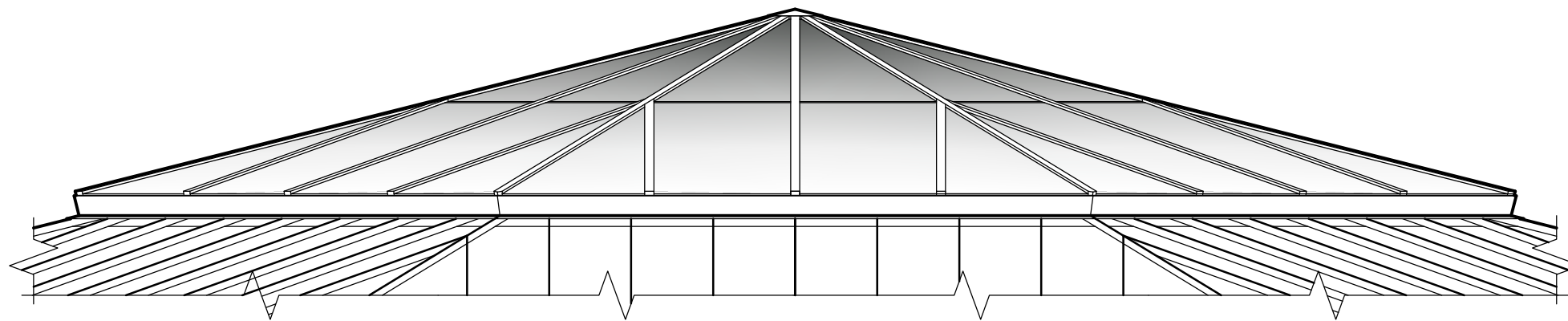
We have reviewed these drawings and approve their use for construction of the skylight. Any comments or suggestions have been added to the drawings.

Architect:

name \_\_\_\_\_  
title \_\_\_\_\_  
date \_\_\_\_\_

General Contractor:

name \_\_\_\_\_  
title \_\_\_\_\_  
date \_\_\_\_\_



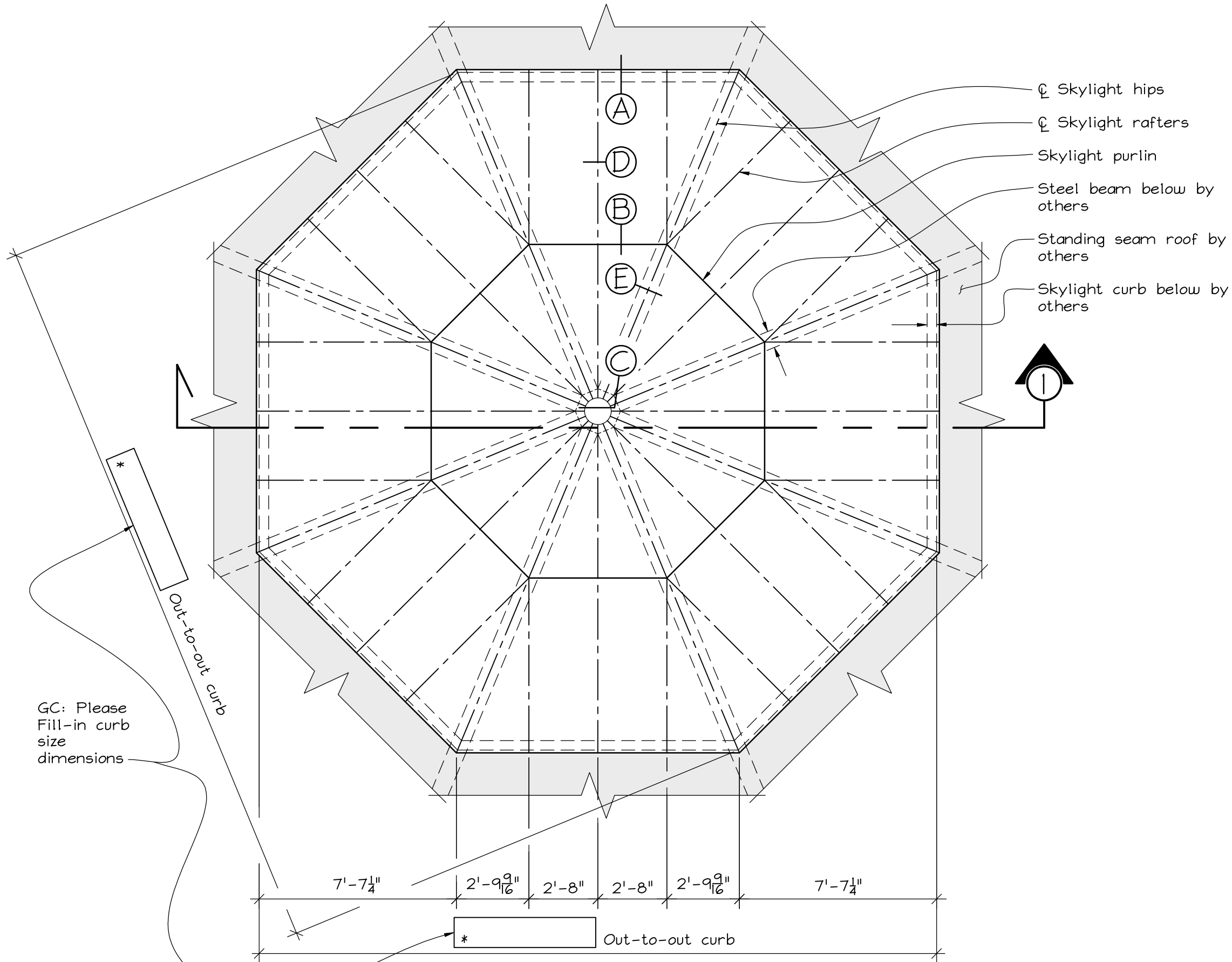
Drawings by:  
Keith Behrend  
Wisconsin Solar Design

Manufacturer/Installer:  
**WISCONSIN SOLAR DESIGN**  
6349 Briarcliff Ln., Middleton, WI 53562

General Contractor:  
McComas Lacin Const.  
1310 Highland Court  
Iowa City, IA 52240

Architect:  
Neumann Monson Architects  
111 East College Street  
Iowa City, IA 52240

1 of 4  
Issued:  
6/19/06



### Skylight Plan

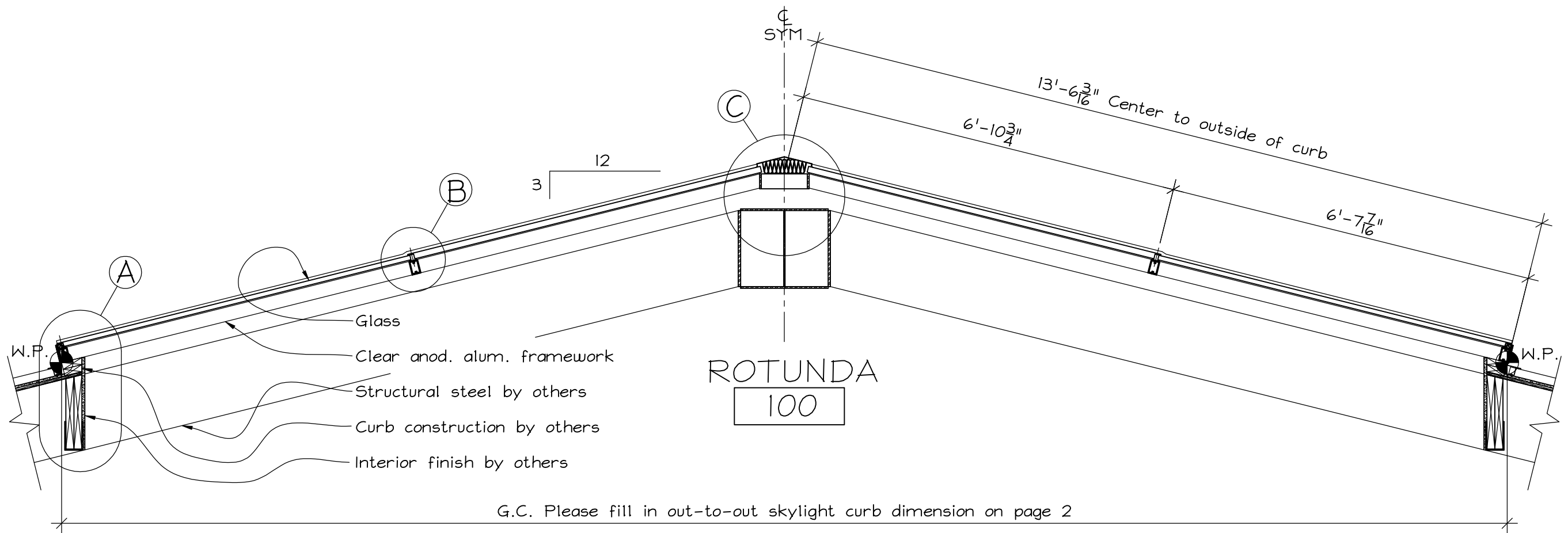
SCALE:  $\frac{1}{4}$ " = 1'-0"  
(1) thus

Manufacturer/Installer:  
**WISCONSIN SOLAR DESIGN**  
 6349 Briarcliff Ln., Middleton, WI 53562

General Contractor:  
 McComas Lacinia Const.  
 1310 Highland Court  
 Iowa City, IA 52240

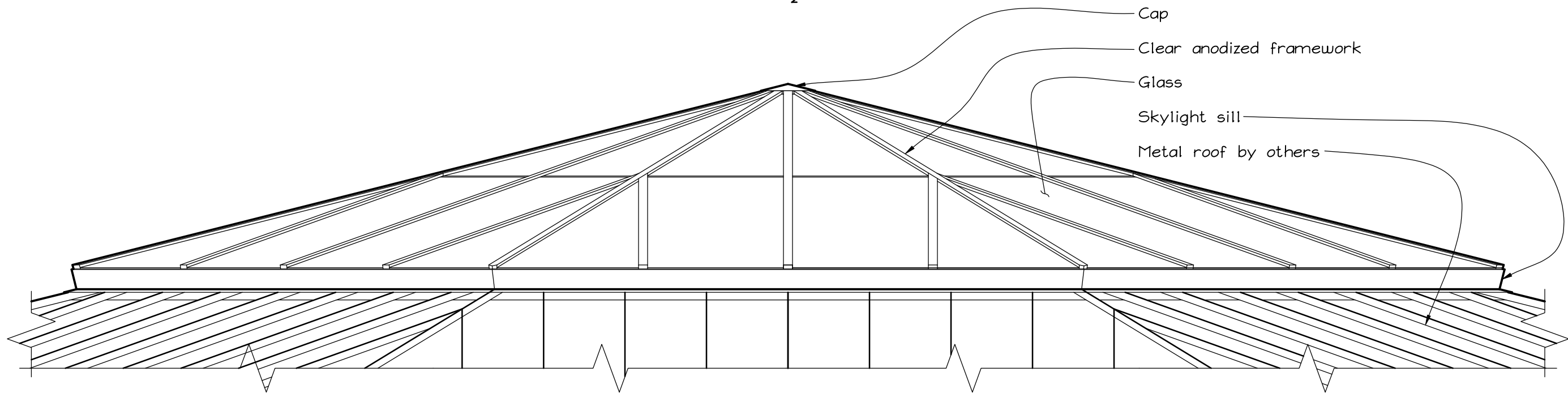
Architect:  
 Neumann Monson Architects  
 111 East College Street  
 Iowa City, IA 52240

2 of 4  
 Issued:  
 6/19/06



① Cross-section

SCALE: 1/2" = 1'-0"



Elevation

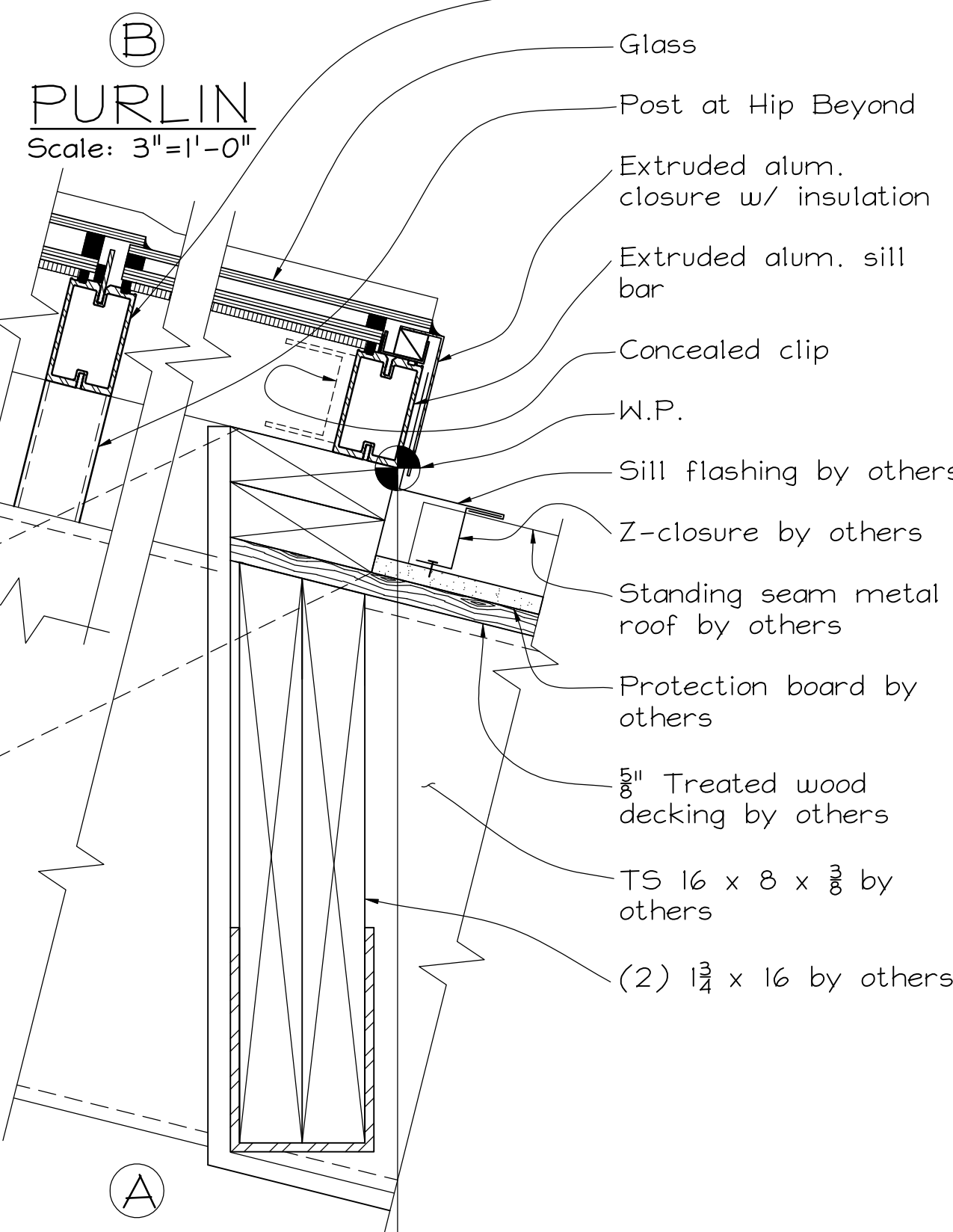
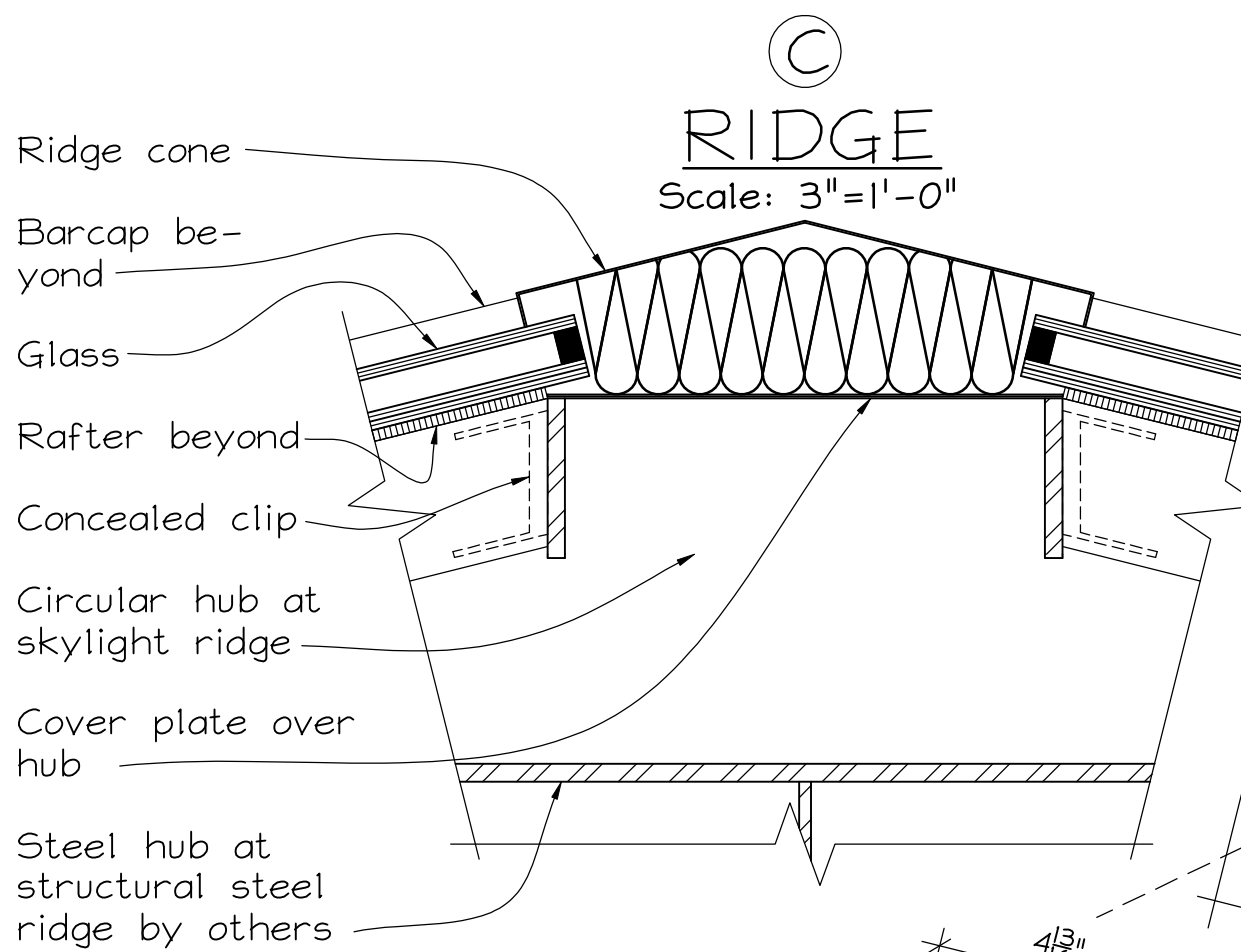
SCALE: 1/2" = 1'-0"  
(8 thus)

Manufacturer/Installer:  
**WISCONSIN SOLAR DESIGN**  
 6349 Briarcliff Ln., Middleton, WI 53562

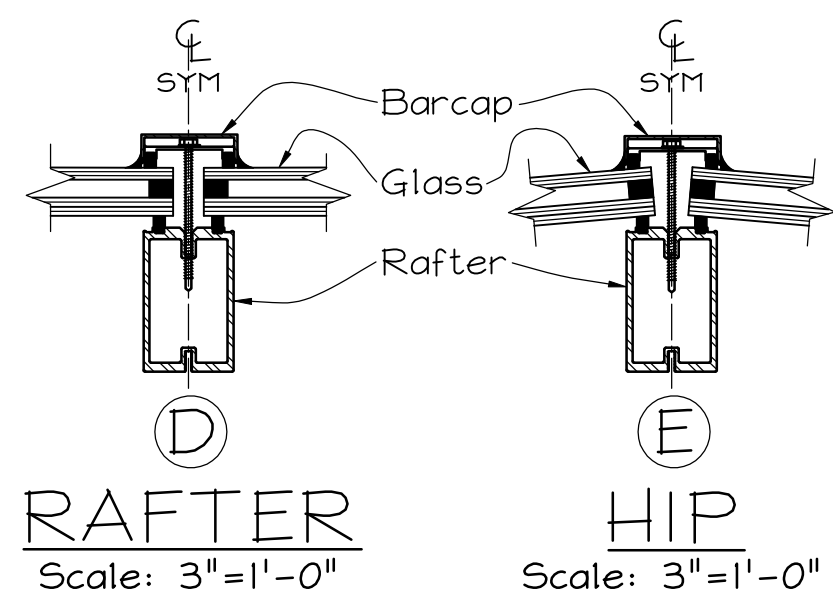
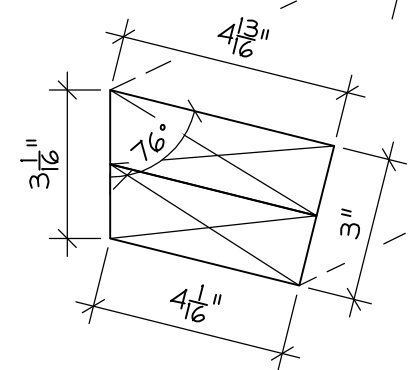
General Contractor:  
 McComas Lacin Const.  
 1310 Highland Court  
 Iowa City, IA 52240

Architect:  
 Neumann Monson Architects  
 111 East College Street  
 Iowa City, IA 52240

3 of 4  
 Issued:  
 6/19/06



G.C.: Please provide double P.T. 2x plate dimensioned as shown



\* G.C. Please fill in out-to-out skylight curb dimension on page 2

Manufacturer/Installer:  
**WISCONSIN SOLAR DESIGN**  
 6349 Briarcliff Ln., Middleton, WI 53562

General Contractor:  
 McComas Lacin Const.  
 1310 Highland Court  
 Iowa City, IA 52240

Architect:  
 Neumann Monson Architects  
 111 East College Street  
 Iowa City, IA 52240

4 of 4  
 Issued:  
 6/19/06