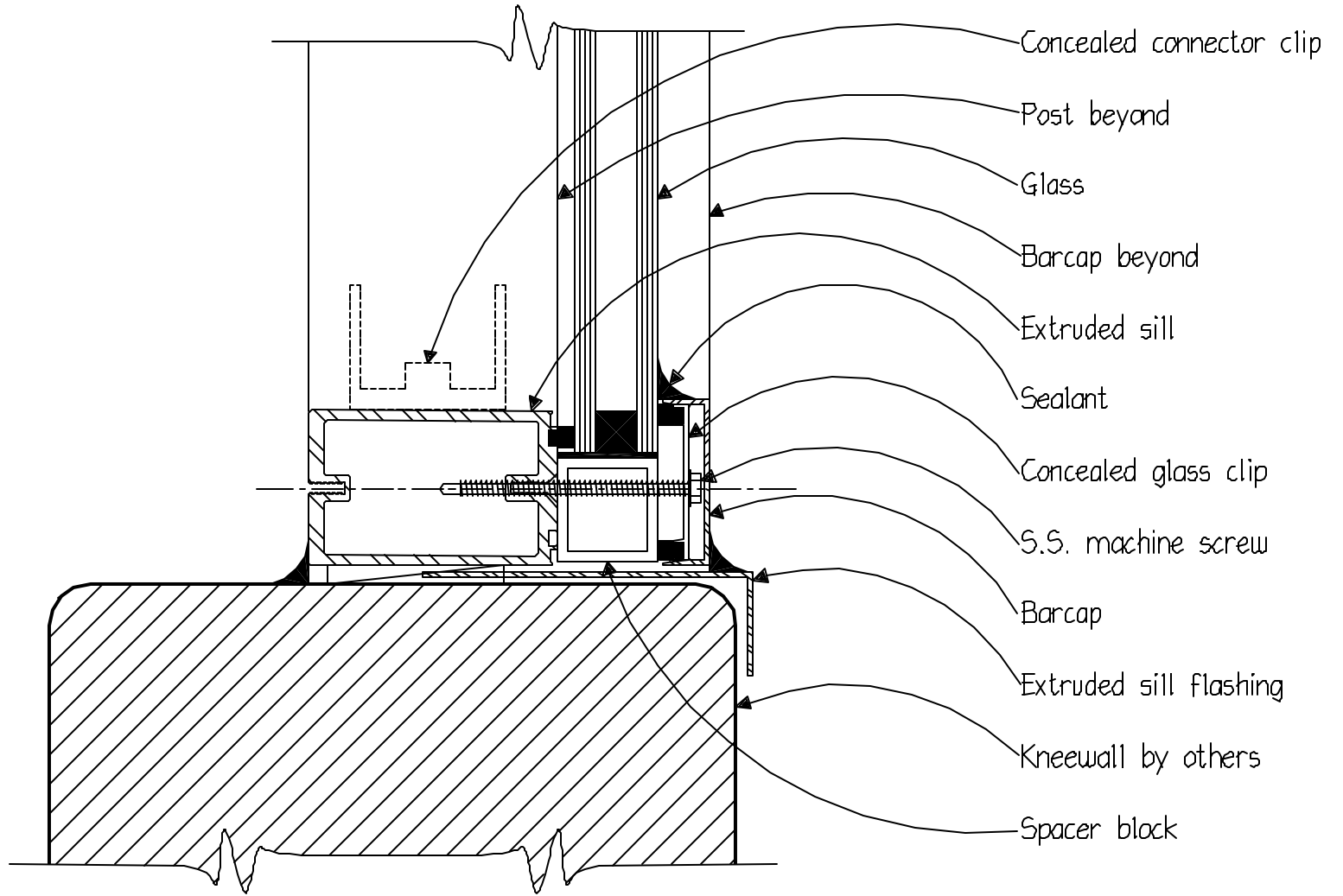


○ WISCONSIN SOLAR DESIGN



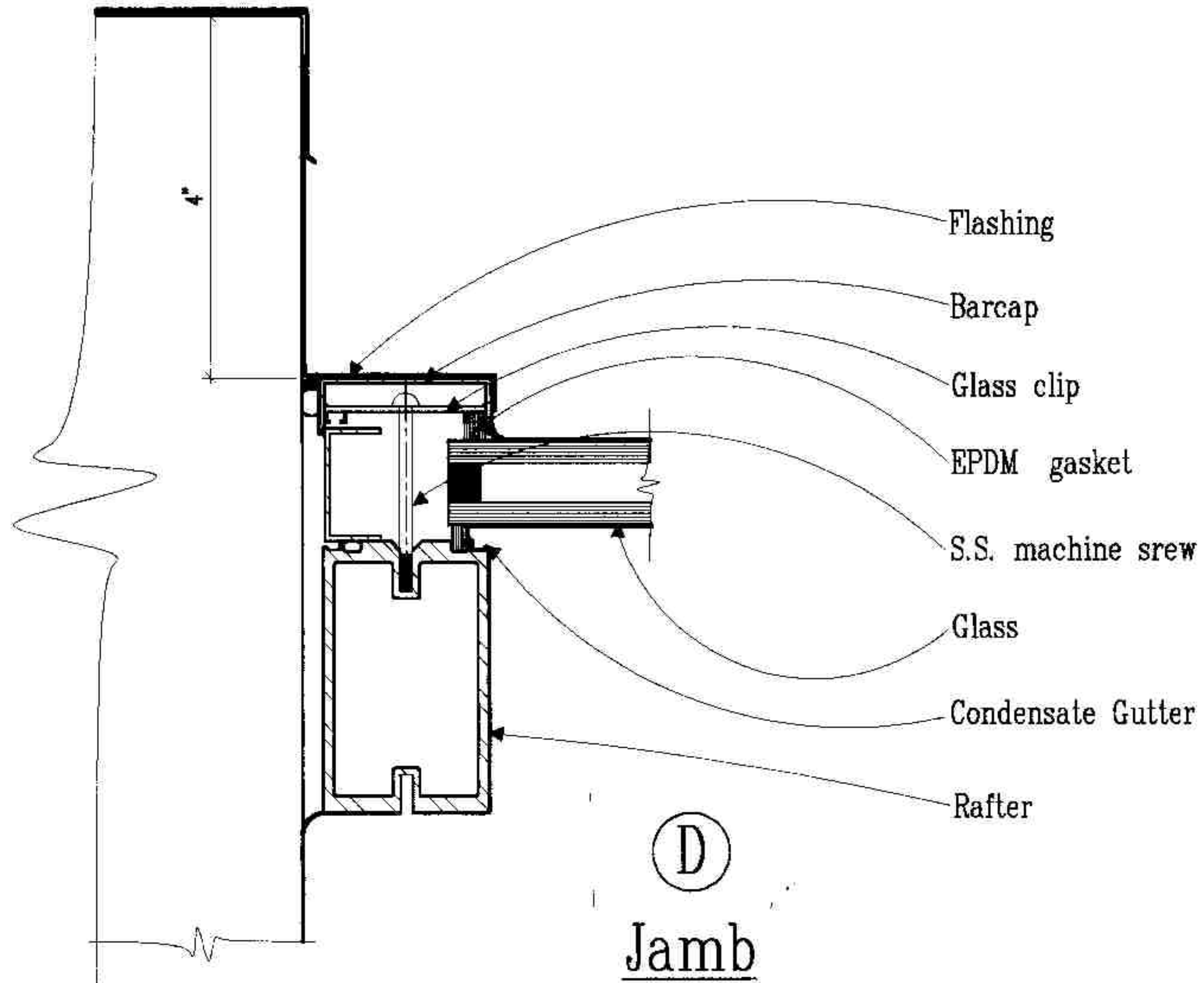
©

Sill

half scale

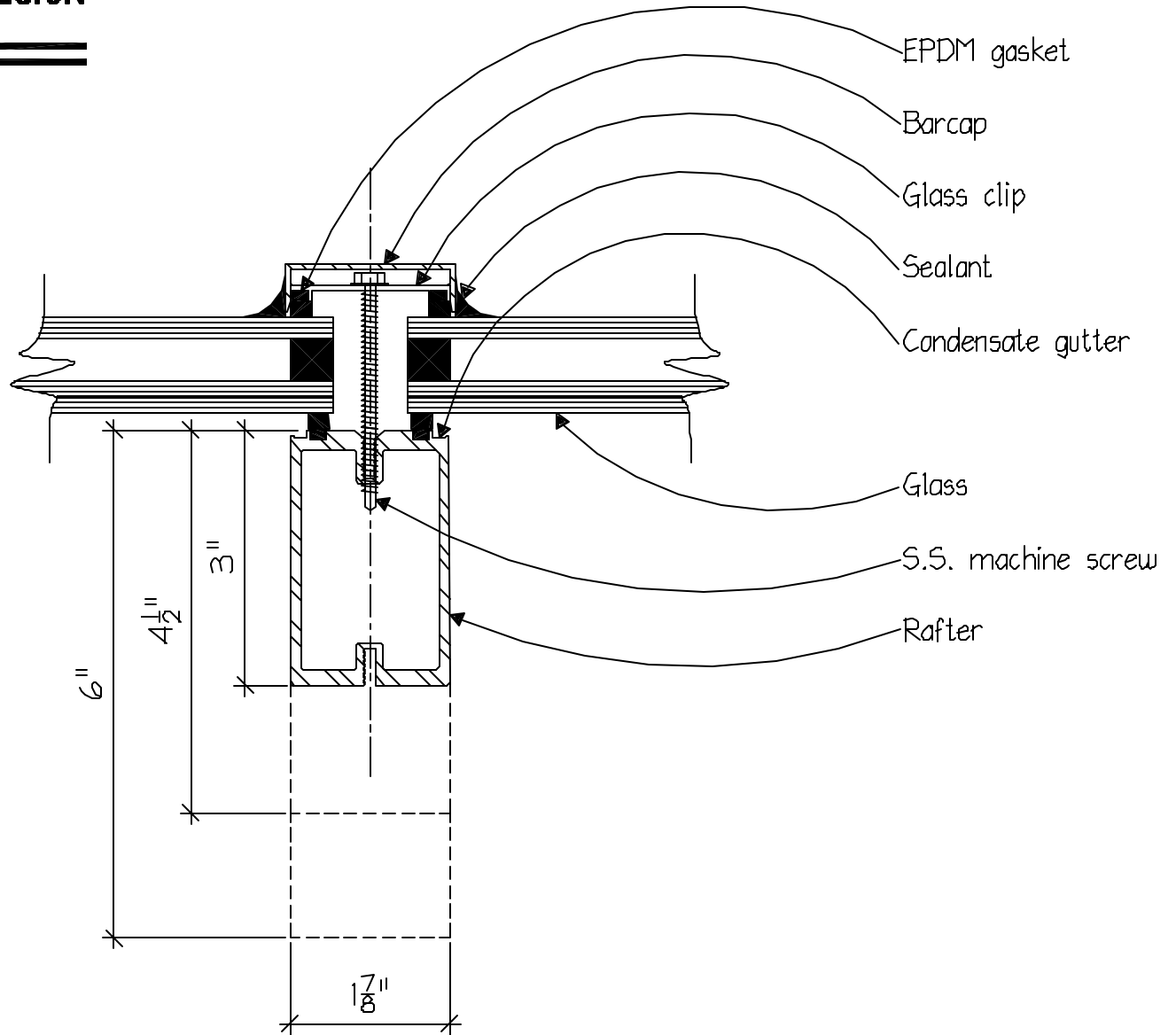


WISCONSIN SOLAR DESIGN



ⓓ  
Jamb  
half scale

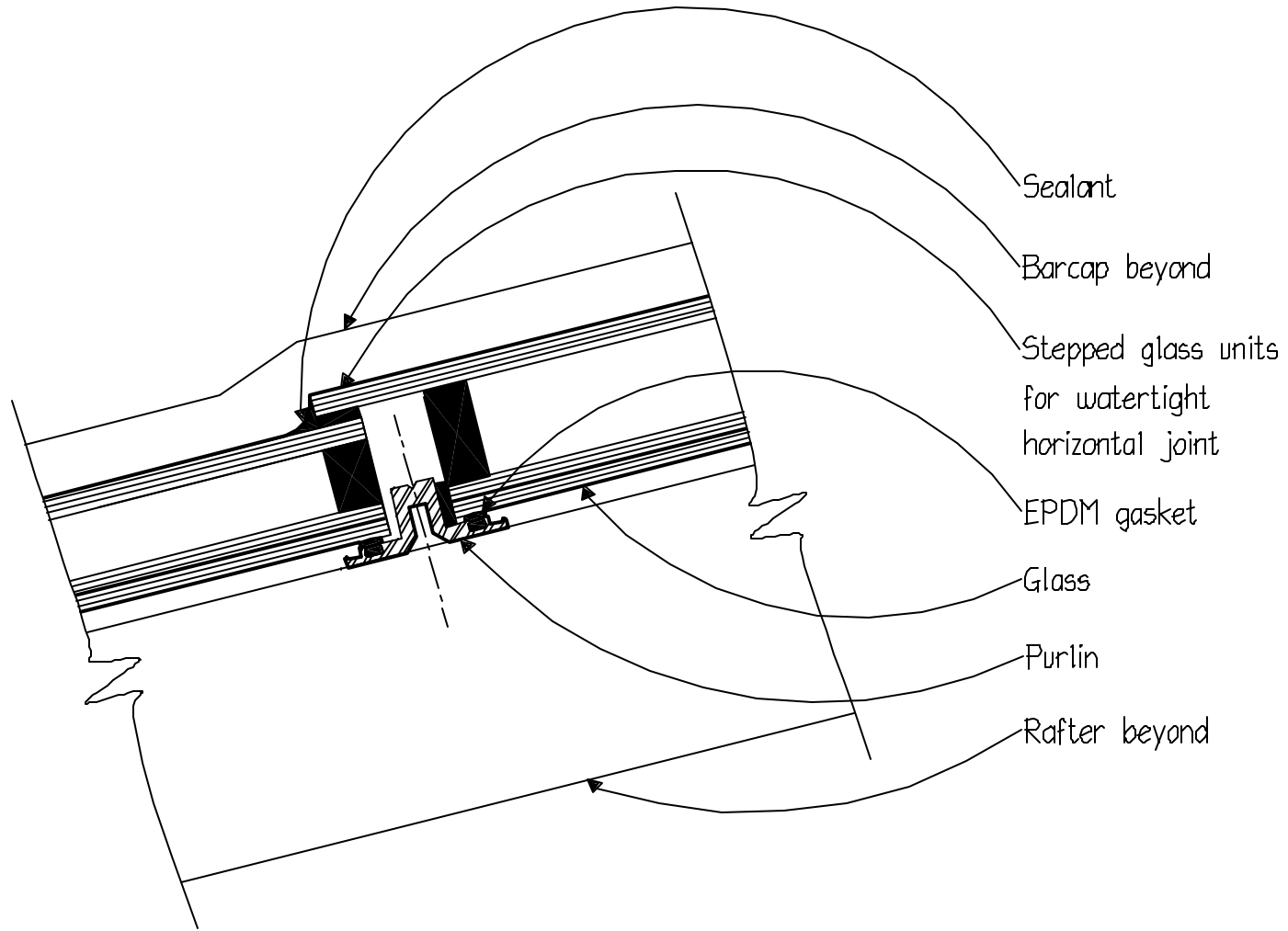
WISCONSIN SOLAR DESIGN



(E)

Rafter  
half scale

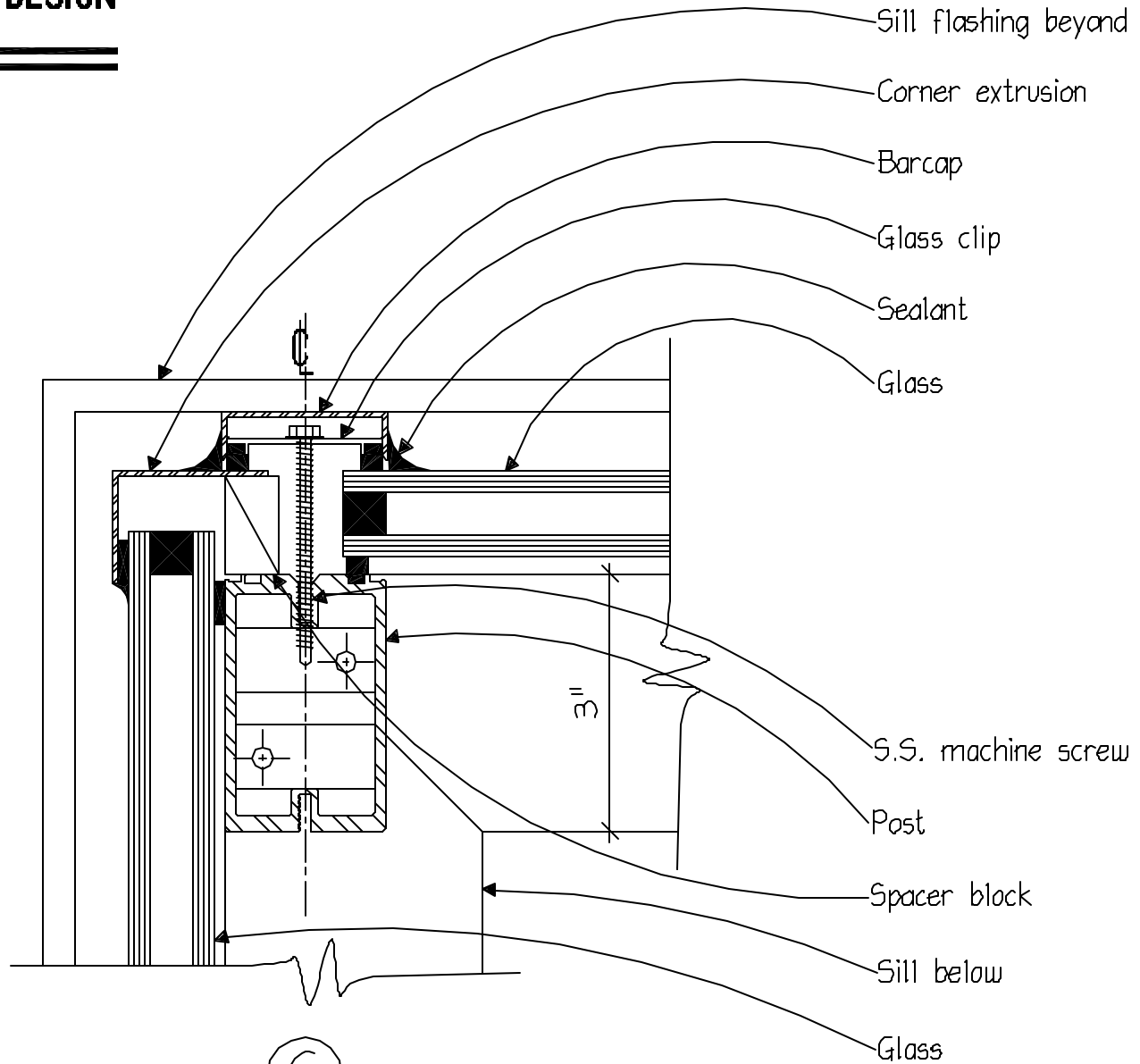
○ WISCONSIN SOLAR DESIGN



ⓕ

Purlin  
half scale

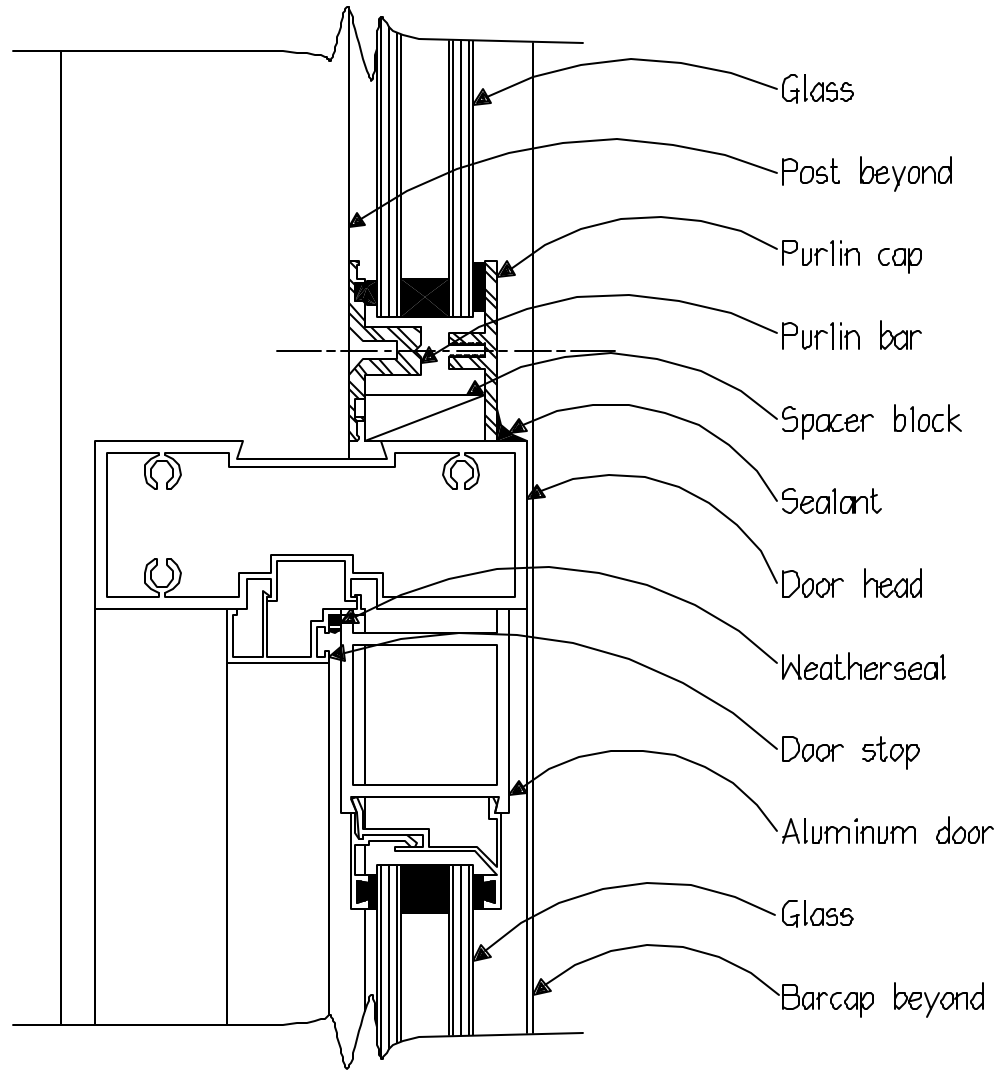
WISCONSIN SOLAR DESIGN



Corner

half scale

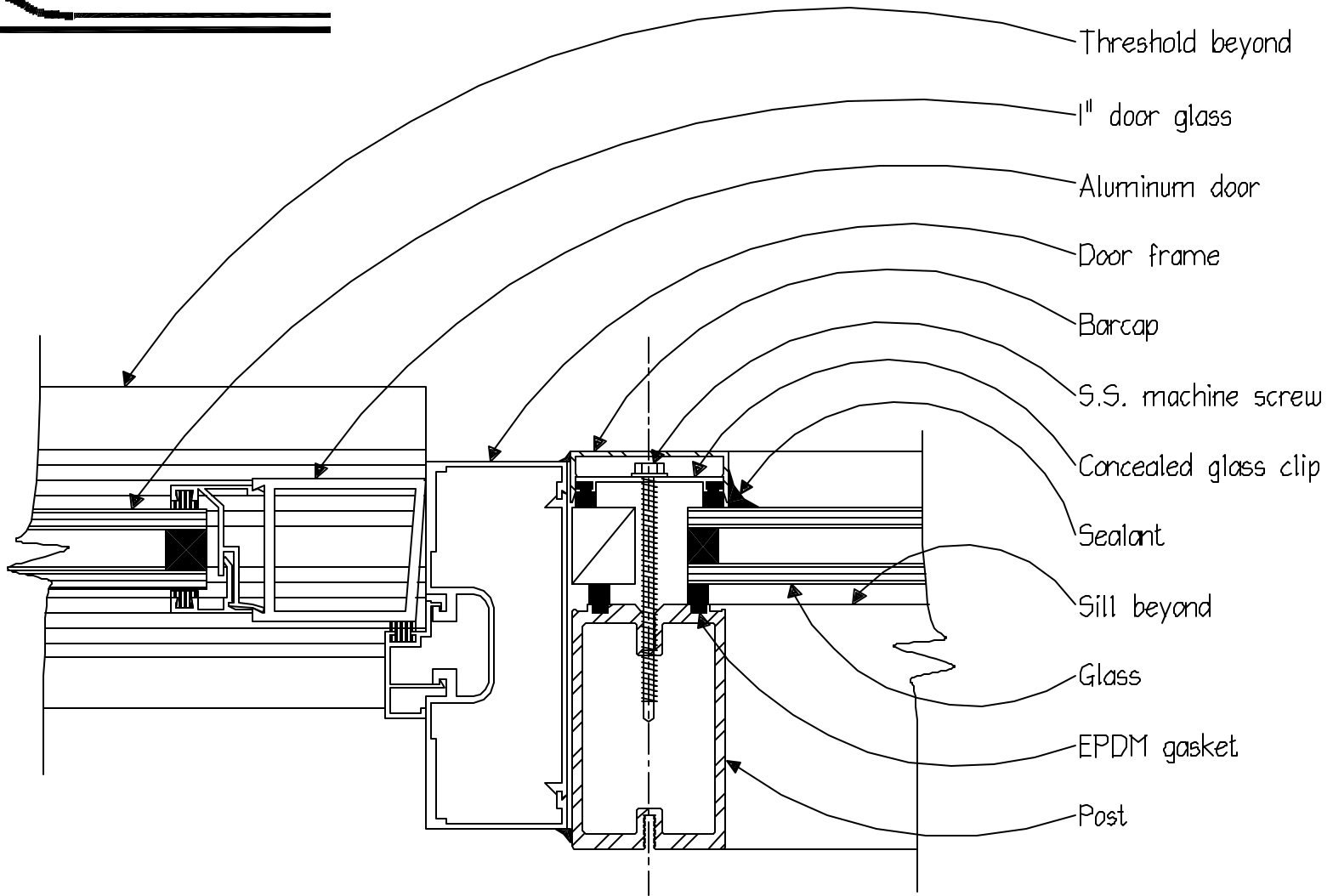
○ WISCONSIN SOLAR DESIGN



Door head

half scale

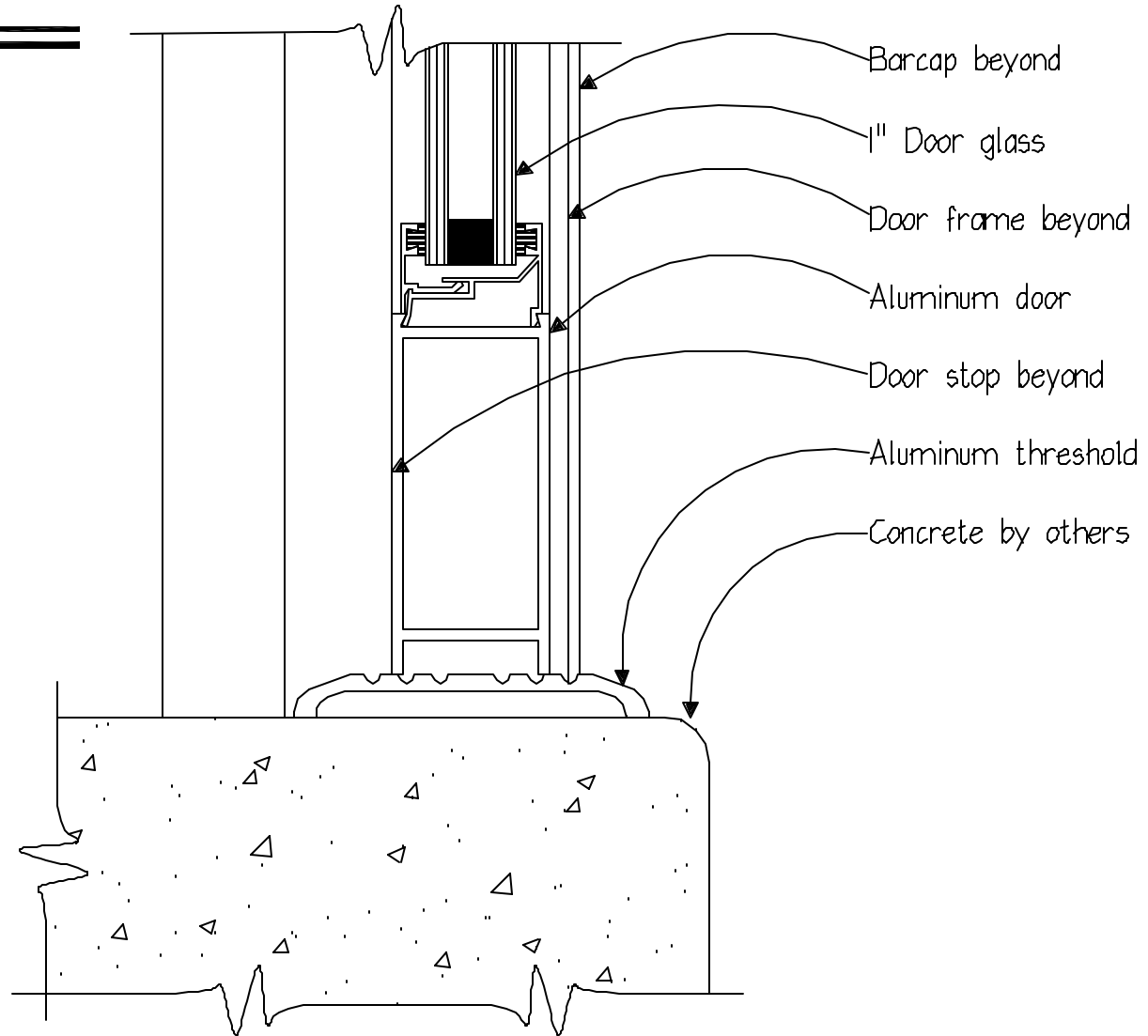
○ WISCONSIN SOLAR DESIGN



Door jamb

half scale

○ WISCONSIN SOLAR DESIGN

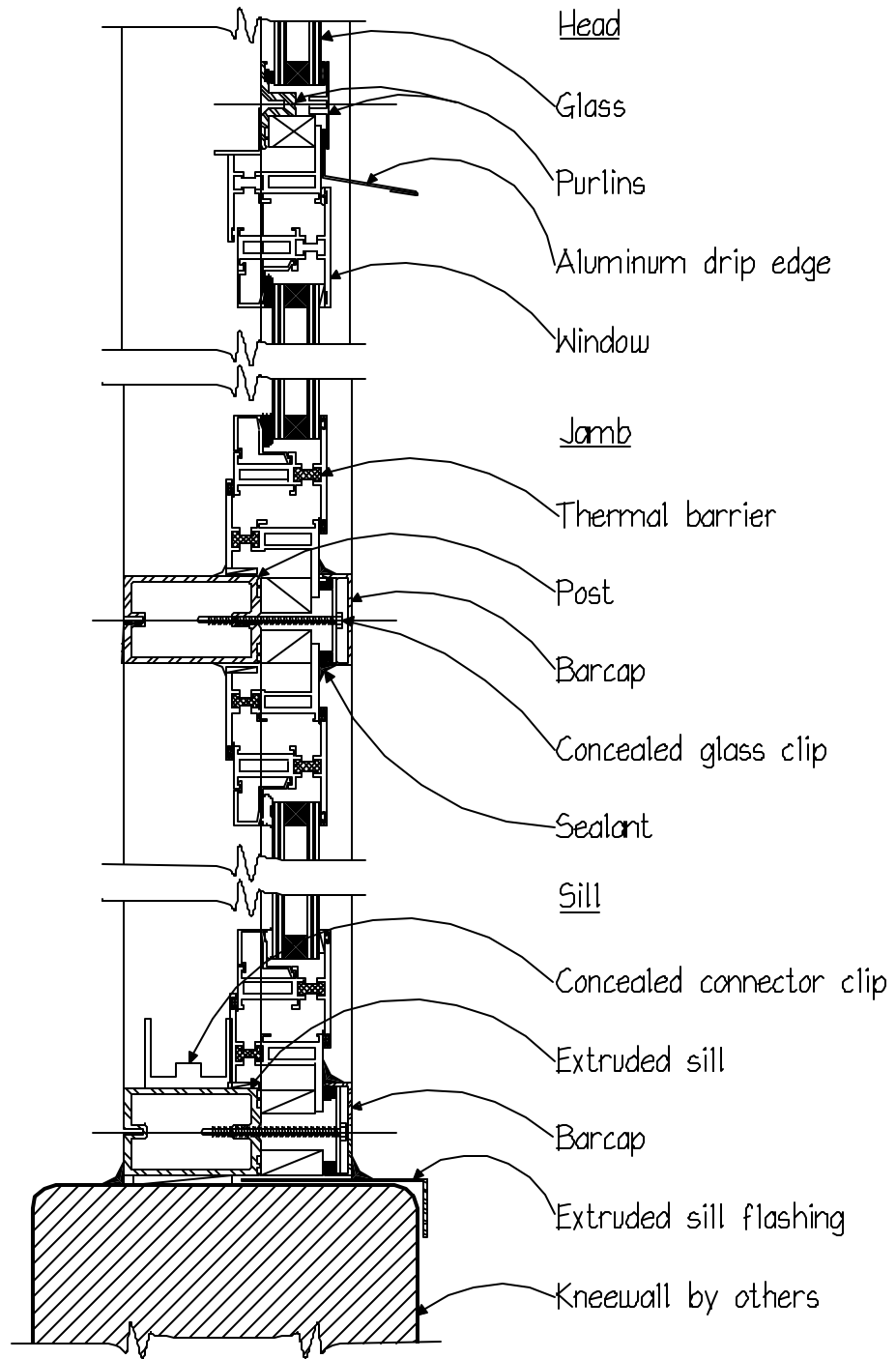


Door sill

half scale



○ WISCONSIN SOLAR DESIGN

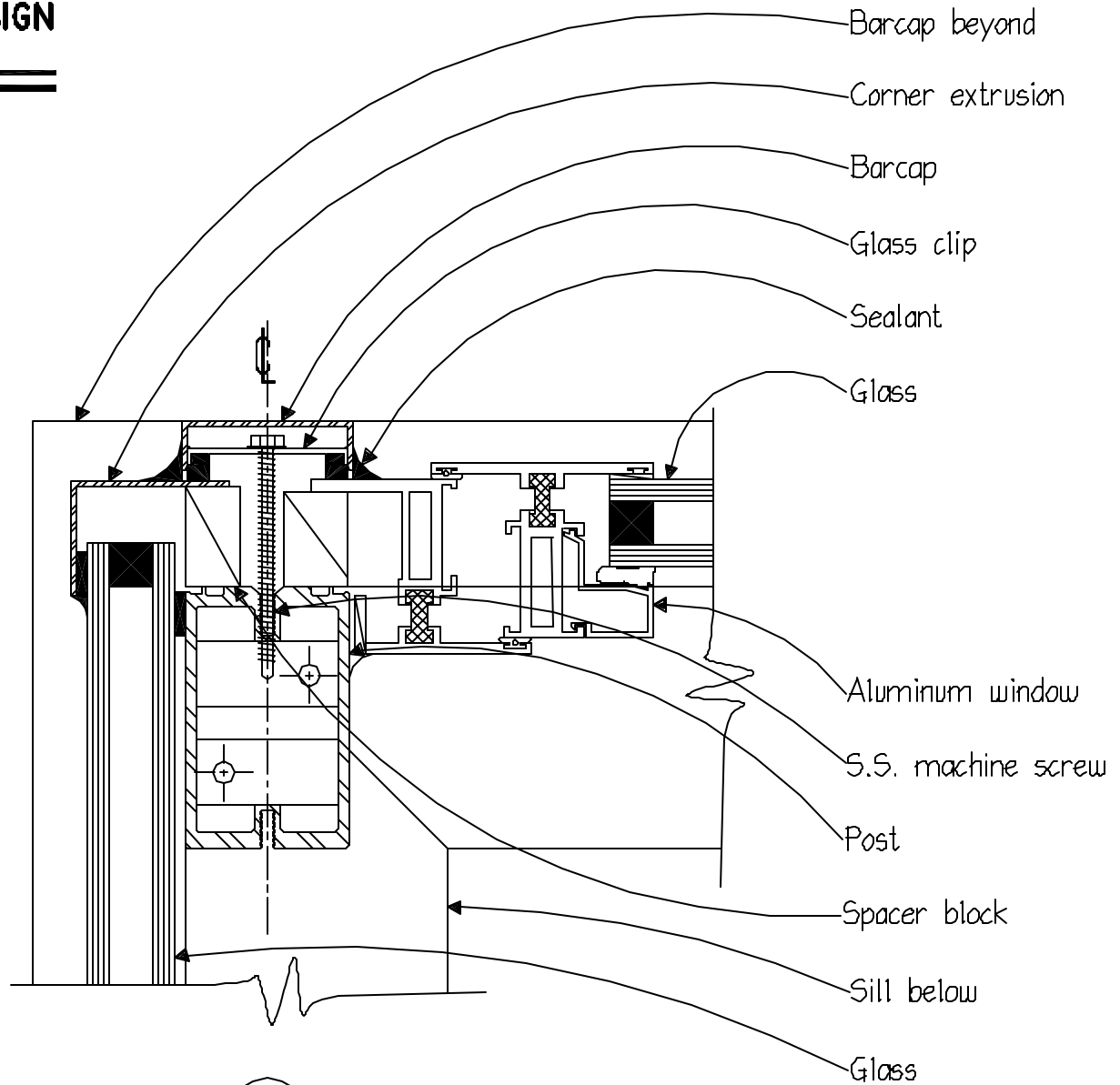


Ⓚ

Operable windows

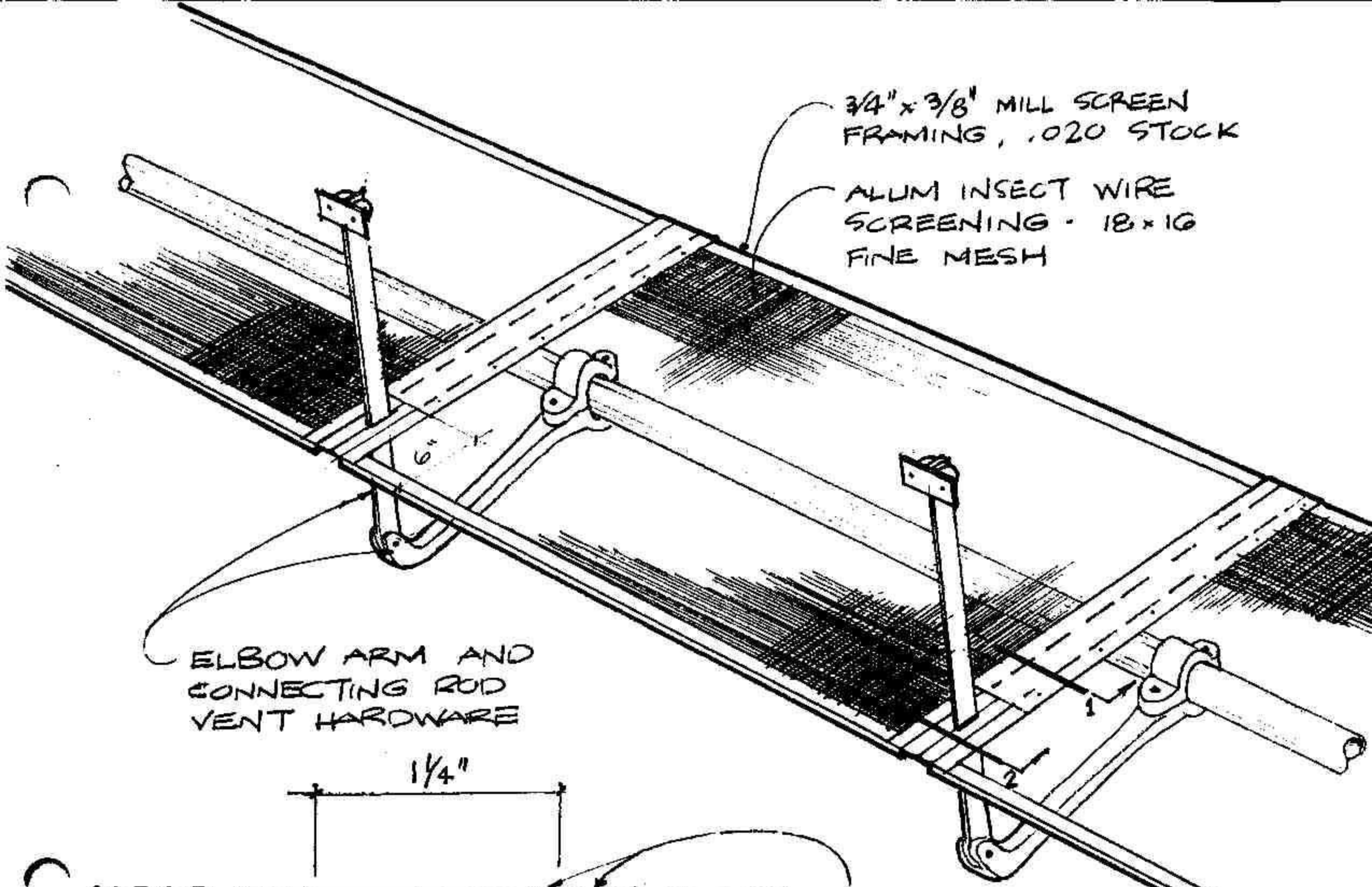
Scale: 3" = 1'-0"

○ WISCONSIN SOLAR DESIGN



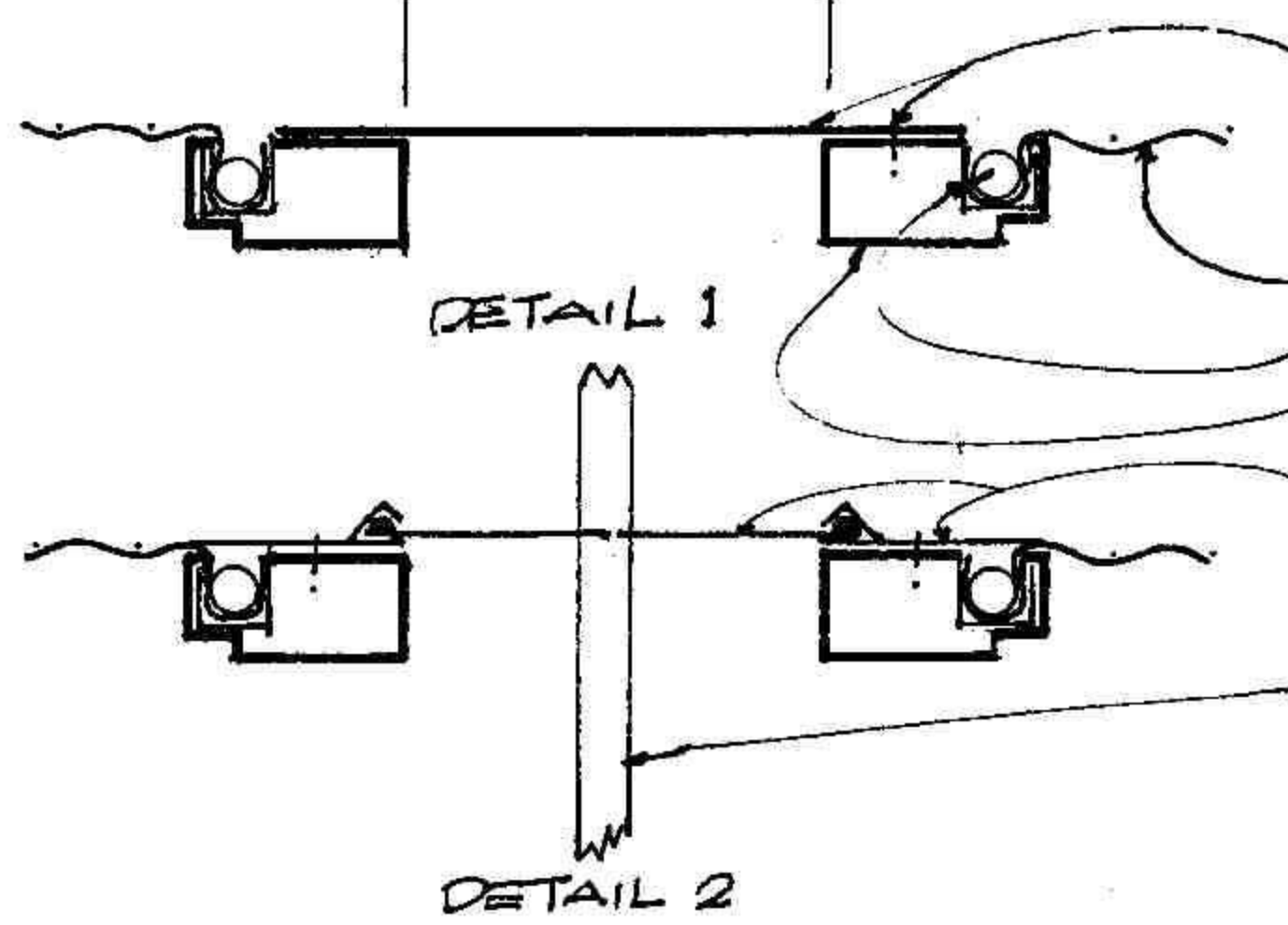
Corner @ window

half scale



ELBOW ARM AND CONNECTING ROD VENT HARDWARE

$\frac{1}{4}$ "



DETAIL 1

DETAIL 2

.040 ALUM CLOSURE SECURED ONE SIDE  
 SCREEN  
 SPLINE  
 FRAME

VINYL GASKET IN ALUM FRAME

CONNECTING ROD

FULL SCALE

# VENT SCREENS



WISCONSIN SOLAR DESIGN

