

# Greenhouse Shop Drawings for the Schultz Residence

6003 Sunset Shores Rd., Luxemburg, WI 54217

Manufacturer/Installer:  
**WISCONSIN SOLAR DESIGN**  
 6349 Briarcliff Ln., Middleton, WI 53562

General Contractor/Architect:  
 De Leers Construction  
 1735 Sal Street  
 Green Bay, WI 54302

Project:  
 Fred & Paula Schultz  
 Residence  
 6003 Sunset Shores Rd.  
 Green Bay, WI

| of |  
 Issued:  
 11/7/08

DESCRIPTION:

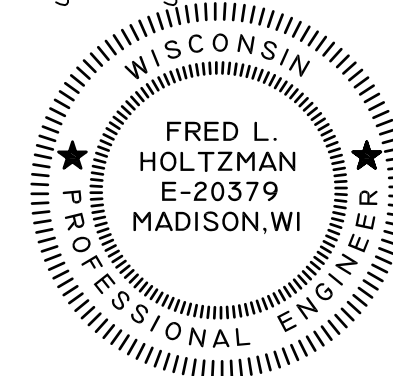
1. 14'-5" x 12'-6" gable style conservatory built to a 14:12 slope with one endwall and two 10'-0" side walls on a base wall by others.
2. Insulated glass consisting of: 1/4" clear tempered outer lite over 1/4" clear tempered inner lite, low-E and argon gas filled.
3. Extruded aluminum framework and flashings painted to match Pella's standard tan.
4. (1) 2'-0" x 12'-6" ridge ventilation system, hardware and screens, automatic with motor and thermostat. 110V electrical power connections to the motor and thermostat are by others.
5. (6) operable casement thermally-broken windows, commercial quality, cam-lock operating hardware and screens.
6. (1) 6'-0" wide insulated glass and aluminum narrow stile double door, commercial entrance quality with closer, mortise lockset and thumbturn, push bar and pull handle, weatherseal and threshold.
7. 2 year no cost service guarantee, 5 year full warranty against glass seal failure.

NOTES to DE LEERS:

1. Fill-in dimensions needed for construction of the greenhouse where noted thus \* on pages 2 and 5 of 11. Hold dimensions to a  $\pm \frac{1}{2}$ " tolerance.
2. Provide a smooth surface adjacent to the greenhouse jamb to receive framework and jamb flashing. See page 11 of 11 for drawing.
3. Provide a counter-flashing at greenhouse jamb to receive jamb flashing. See detail L on page 7 of 11.
4. Please forward paint chip to WSD for color matching.

INDEX:

- 1- Title Page
- 2- Greenhouse Plan
- 3- East/West Elevations
- 4- North Elevation
- 5- Cross-Section & Wiring Diagram
- 6- Details
- 7- Details
- 8- Details
- 9- Details
- 10- Details
- 11- Elevation



DRAWING APPROVAL: We have reviewed these drawings and approve their use for construction of the greenhouse. Any comments or suggestions have been added to the drawings.

Acceptance:

General Contractor/Architect:  
 De Leers Construction

name (signed) -----date-----

name (printed)-----date-----

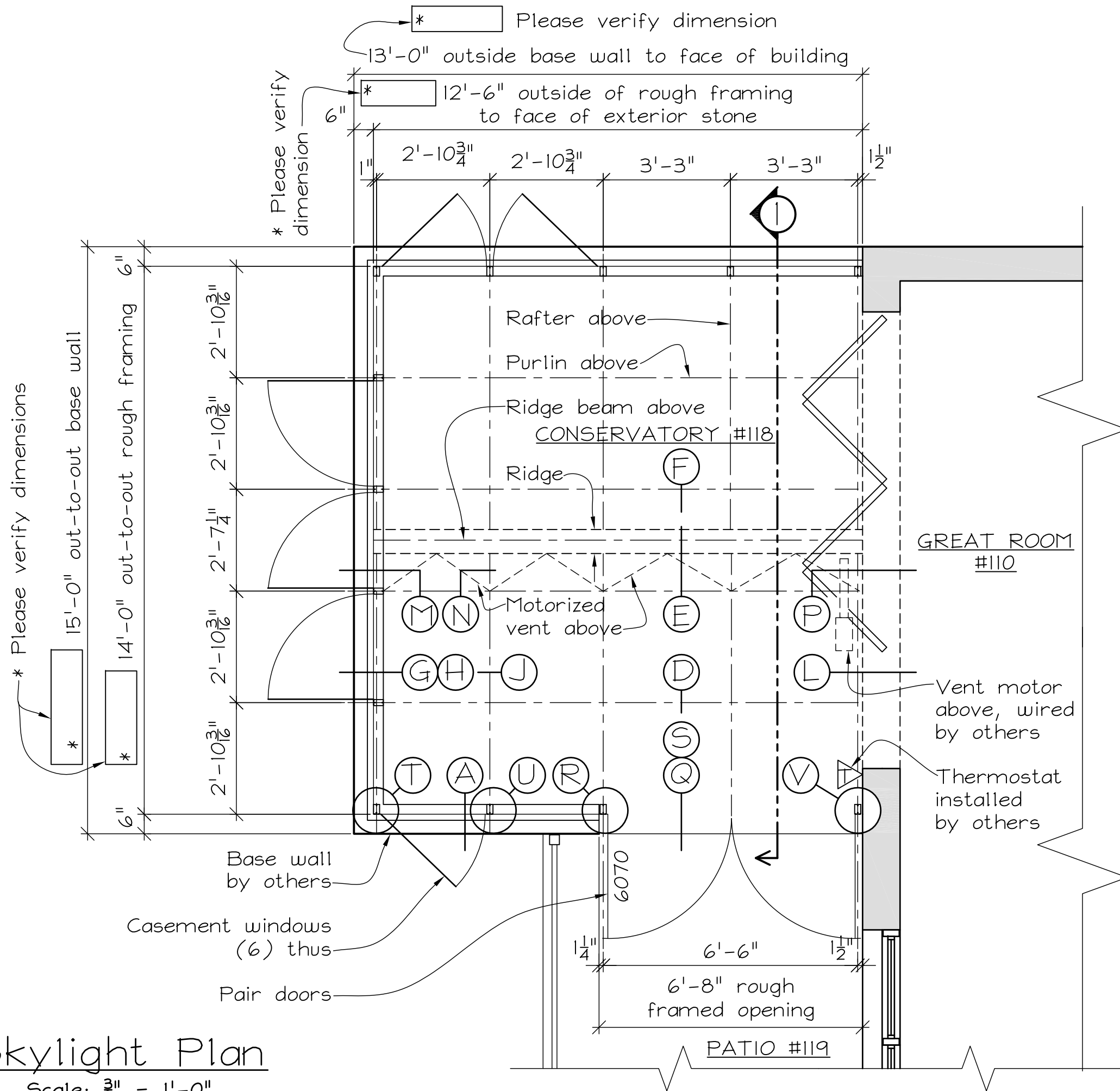
title -----

Drawings by: Jorge Medina, Director of Field & Operations, Wisconsin Solar Design



# Skylight Plan

Scale:  $\frac{3}{8}'' = 1'-0''$



Project:  
 Fred & Paula Schultz  
 Residence  
 6003 Sunset Shores Rd.  
 Green Bay, WI

General Contractor/Architect:  
 De Leers Construction  
 1735 Sal Street  
 Green Bay, WI 54302

Manufacturer/Installer:  
**WISCONSIN SOLAR DESIGN**  
 6349 Briarcliff Ln., Middleton, WI 53562



# North Elevation

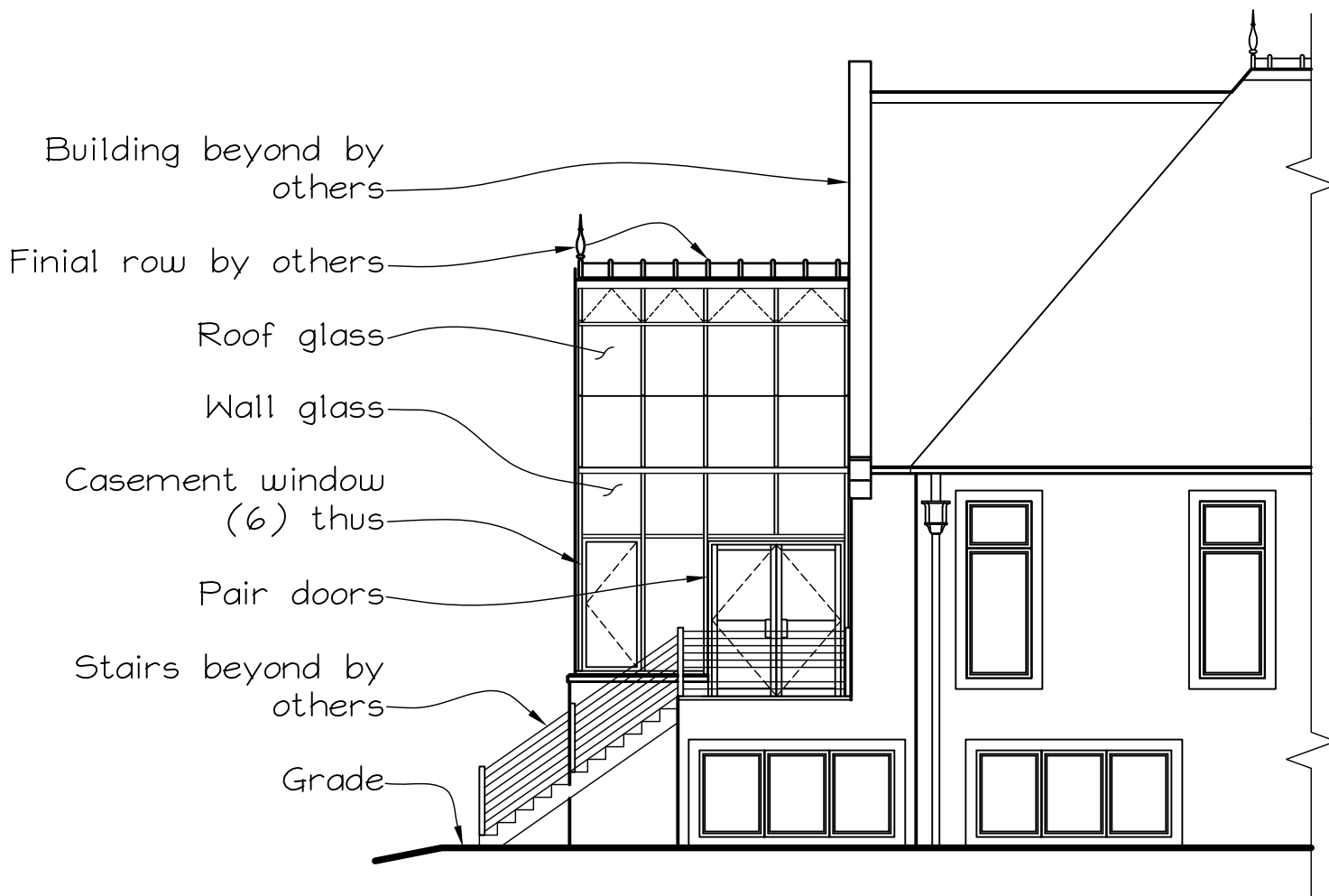
Scale:  $\frac{1}{8}'' = 1'-0''$

Project:  
 Fred & Paula Schultz  
 Residence  
 6003 Sunset Shores Rd.  
 Green Bay, WI

General Contractor/Architect:  
 De Leers Construction  
 1735 Sal Street  
 Green Bay, WI 54302

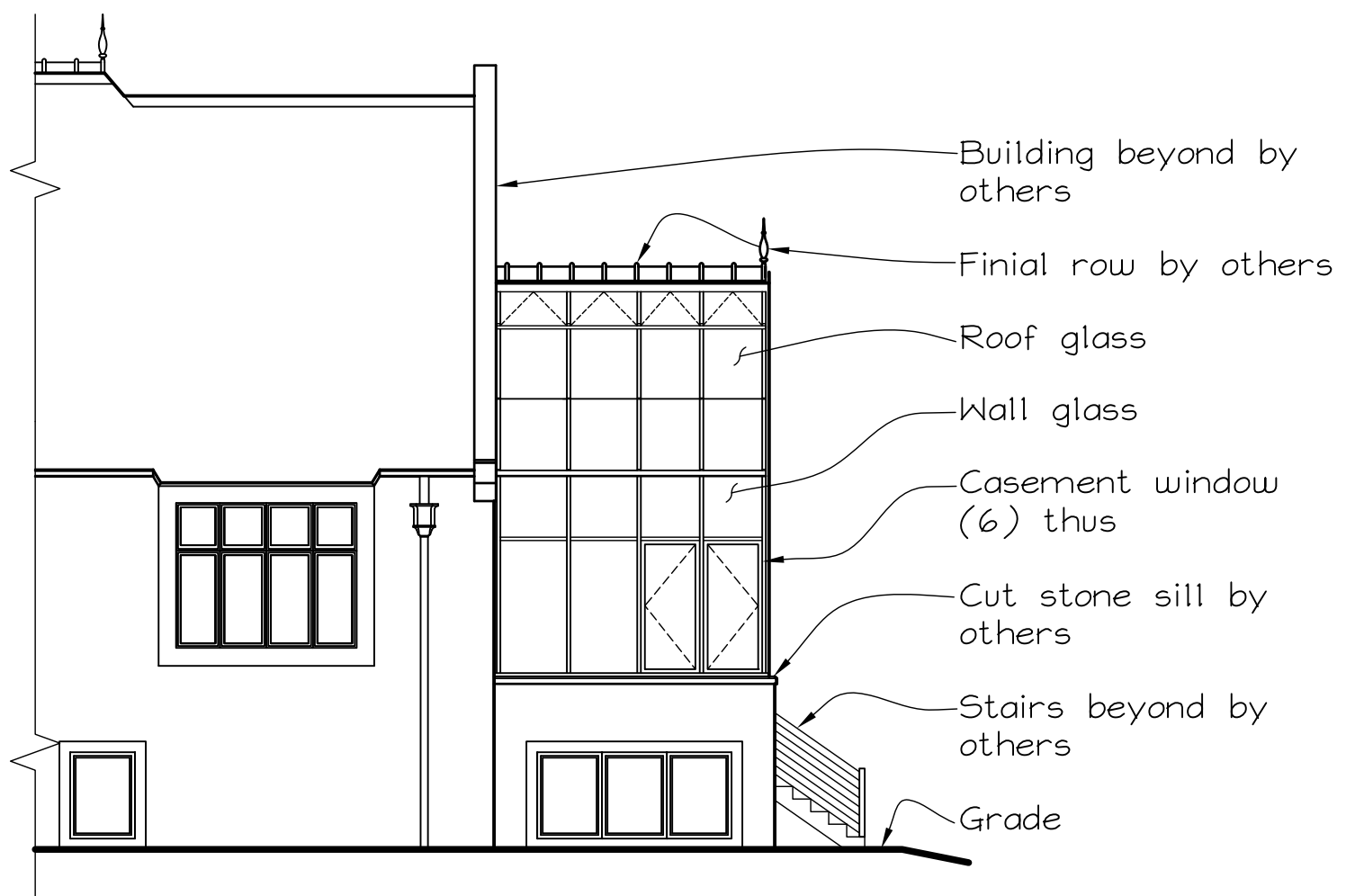
Manufacturer/Installer:  
 WISCONSIN SOLAR DESIGN  
 6349 Briarcliff Ln., Middleton, WI 53562

3 of 11  
 Issued:  
 11/7/08



## West Elevation

Scale:  $\frac{1}{8}'' = 1'-0''$




## East Elevation

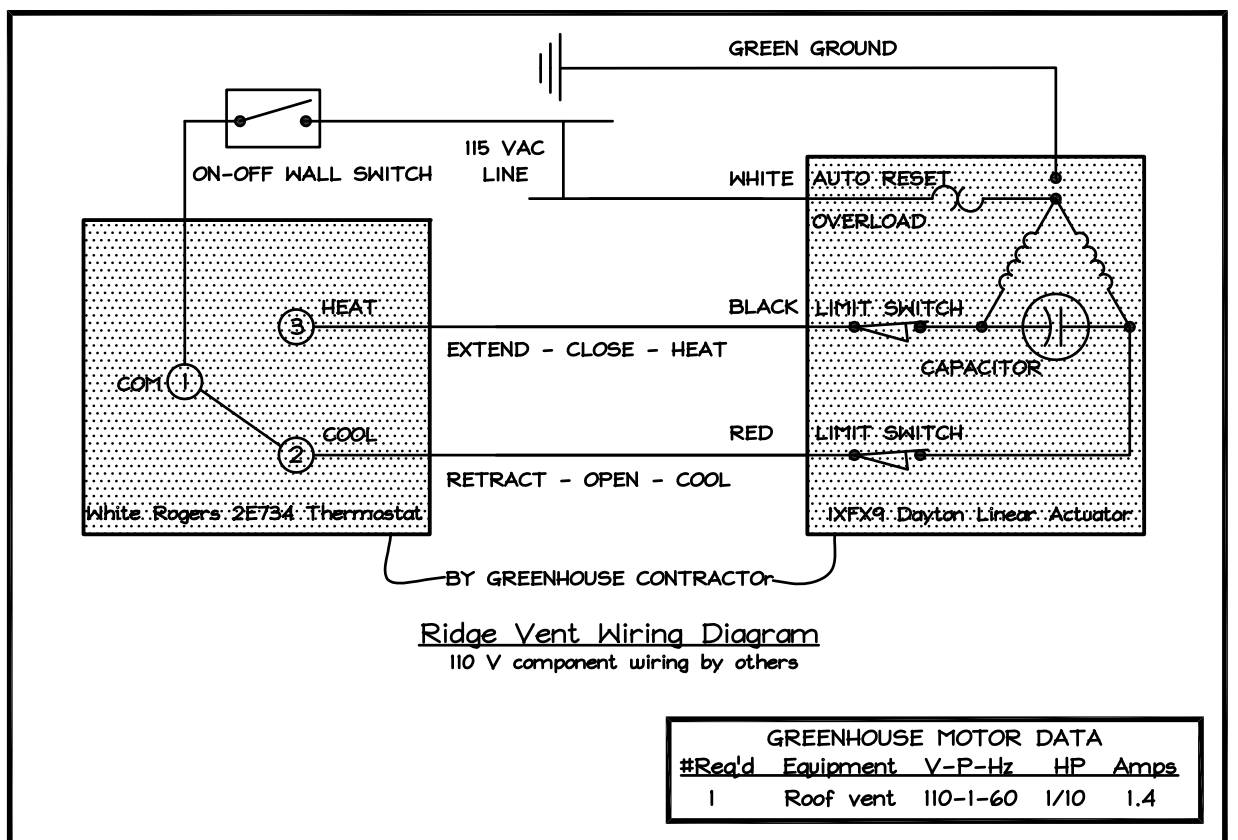
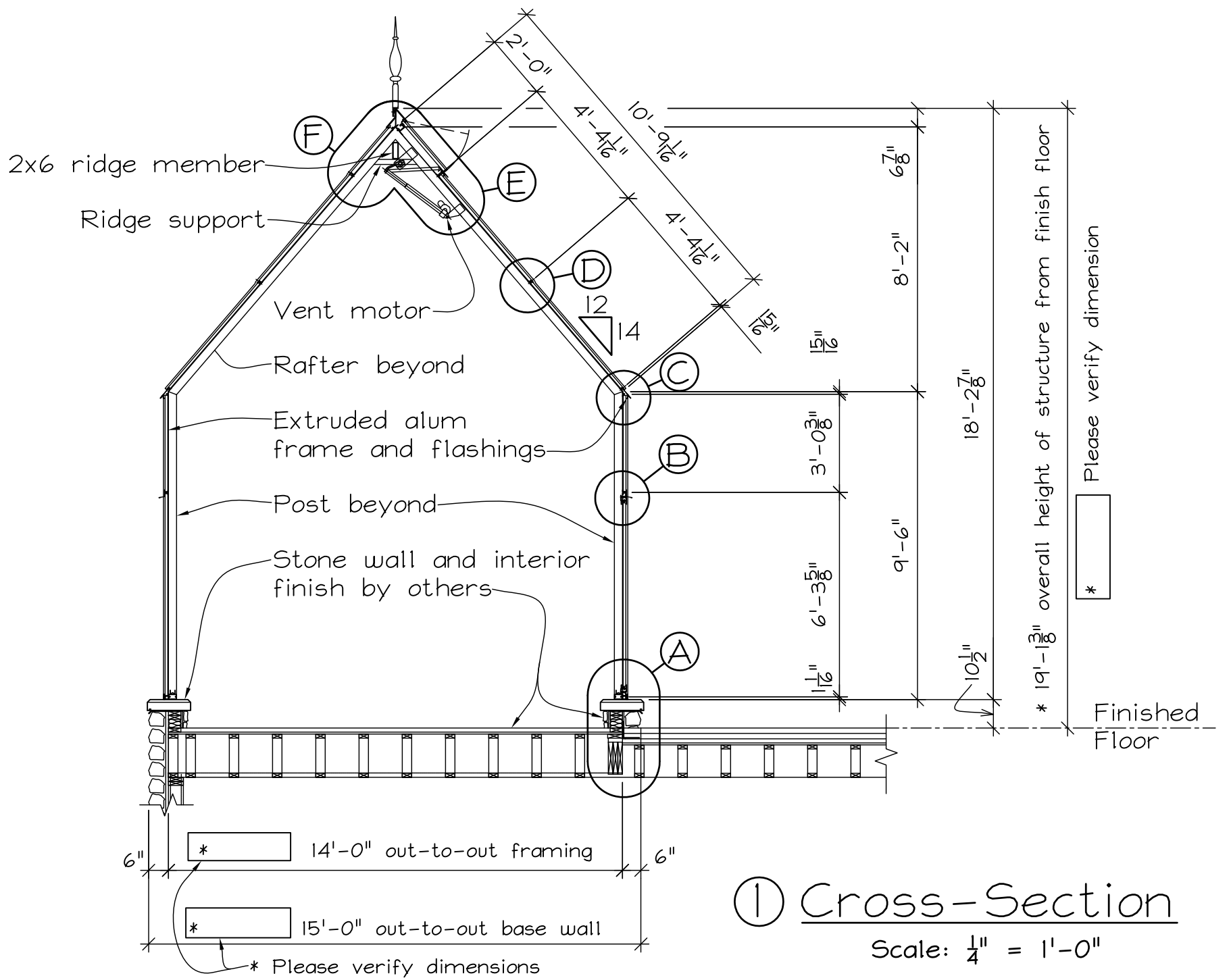
Scale:  $\frac{1}{8}'' = 1'-0''$

4 of 11  
 Issued:  
 11/7/08

Project:  
 Fred & Paula Schultz  
 Residence  
 6003 Sunset Shores Rd.  
 Green Bay, WI

General Contractor/Architect:  
 De Leers Construction  
 1735 Sal Street  
 Green Bay, WI 54302

Manufacturer/Installer:  
  
 6349 Briarcliff Ln., Middleton, WI 53562

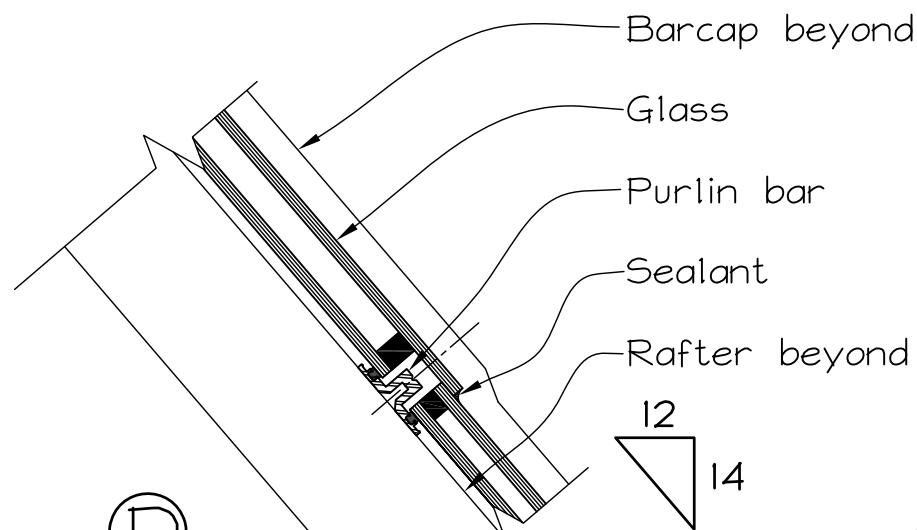


80/L/11  
Issued:  
11/7/08  
5 of 11

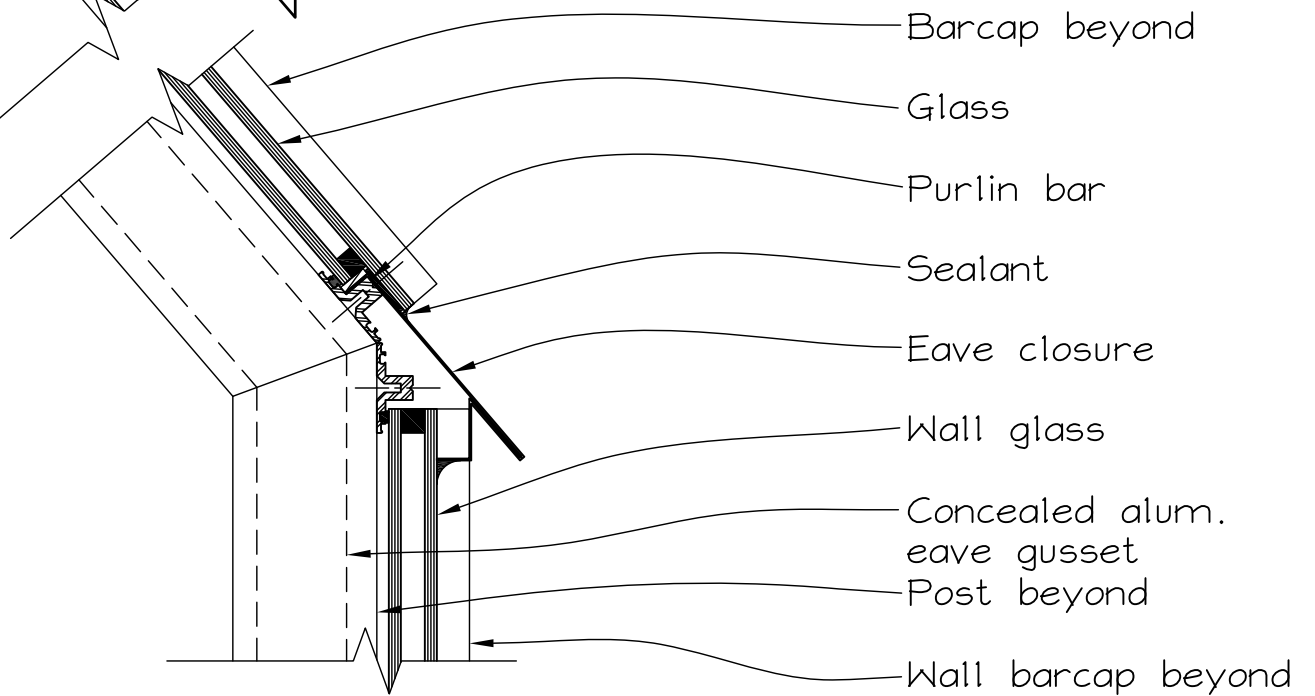
Project:  
Fred & Paula Schultz  
Residence  
6003 Sunset Shores Rd.  
Green Bay, WI

General Contractor/Architect:  
De Leers Construction  
1735 Sal Street  
Green Bay, WI 54302

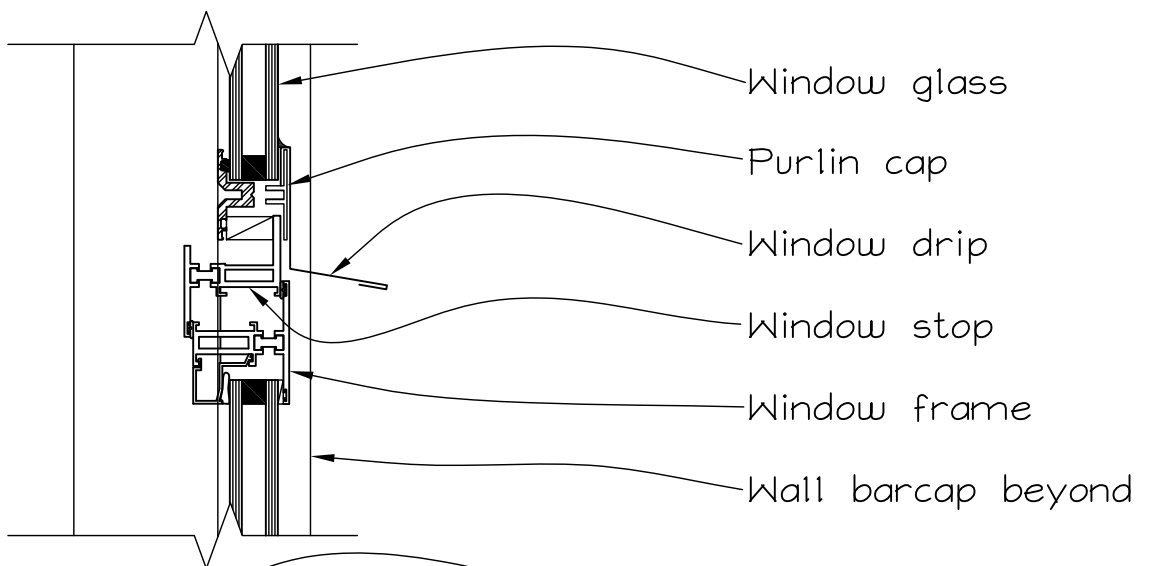
Manufacturer/Installer:  
WISCONSIN SOLAR DESIGN  
6349 Briarcliff Ln., Middleton, WI 53562



Ⓓ  
Purlin  
Scale: 3"=1'-0"



Ⓒ  
Eave  
Scale: 3"=1'-0"



Ⓑ  
Purlin  
Scale: 3"=1'-0"



Ⓐ  
Sill  
Scale: 3"=1'-0"

14'-0" out-to-out framing

Cut stone sill by others, anchored securely to framing below

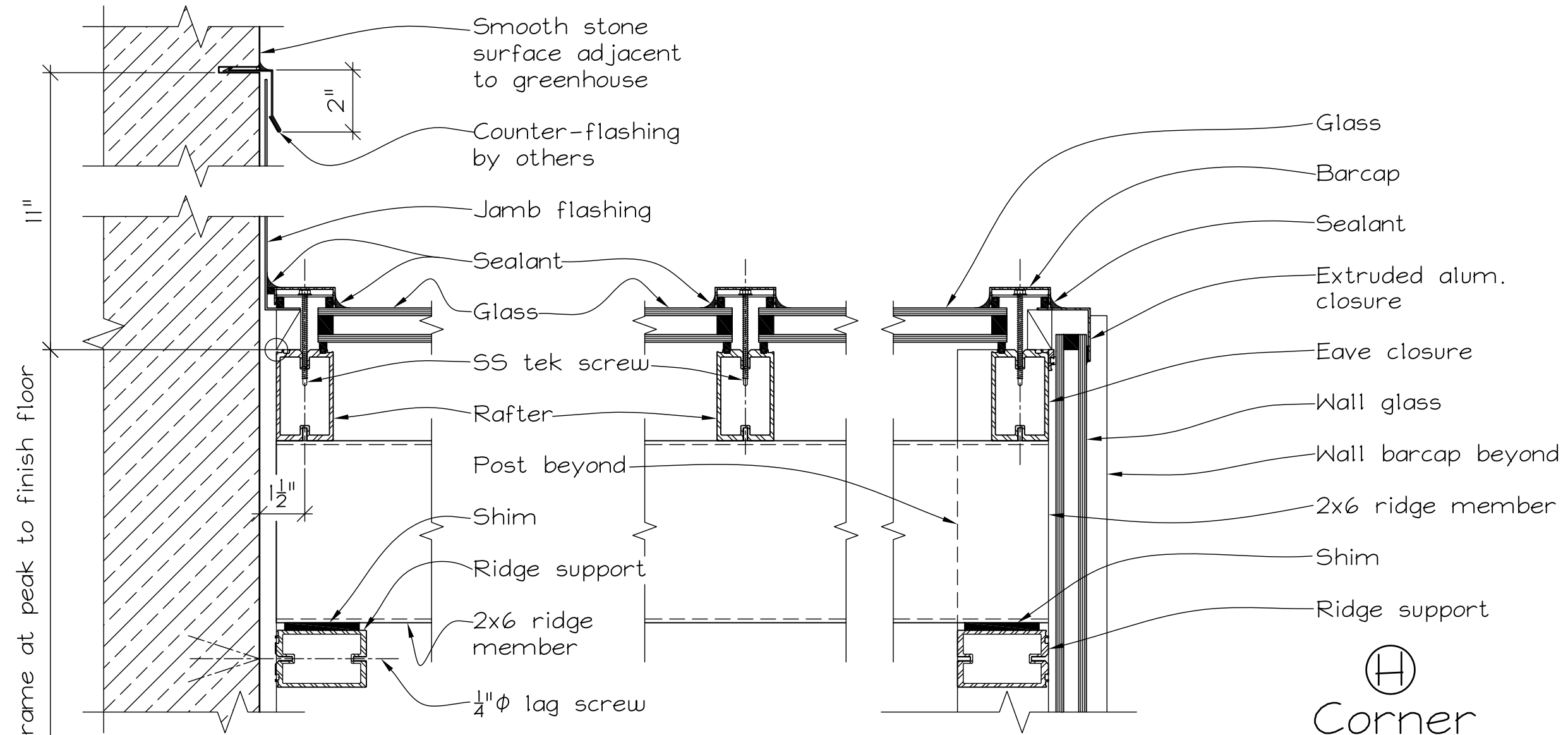
Kneewall construction by others

6 of 11  
Issued:  
11/7/08

Project:  
Fred & Paula Schultz  
Residence  
6003 Sunset Shores Rd.  
Green Bay, WI

General Contractor/Architect:  
De Leers Construction  
1735 Sal Street  
Green Bay, WI 54302

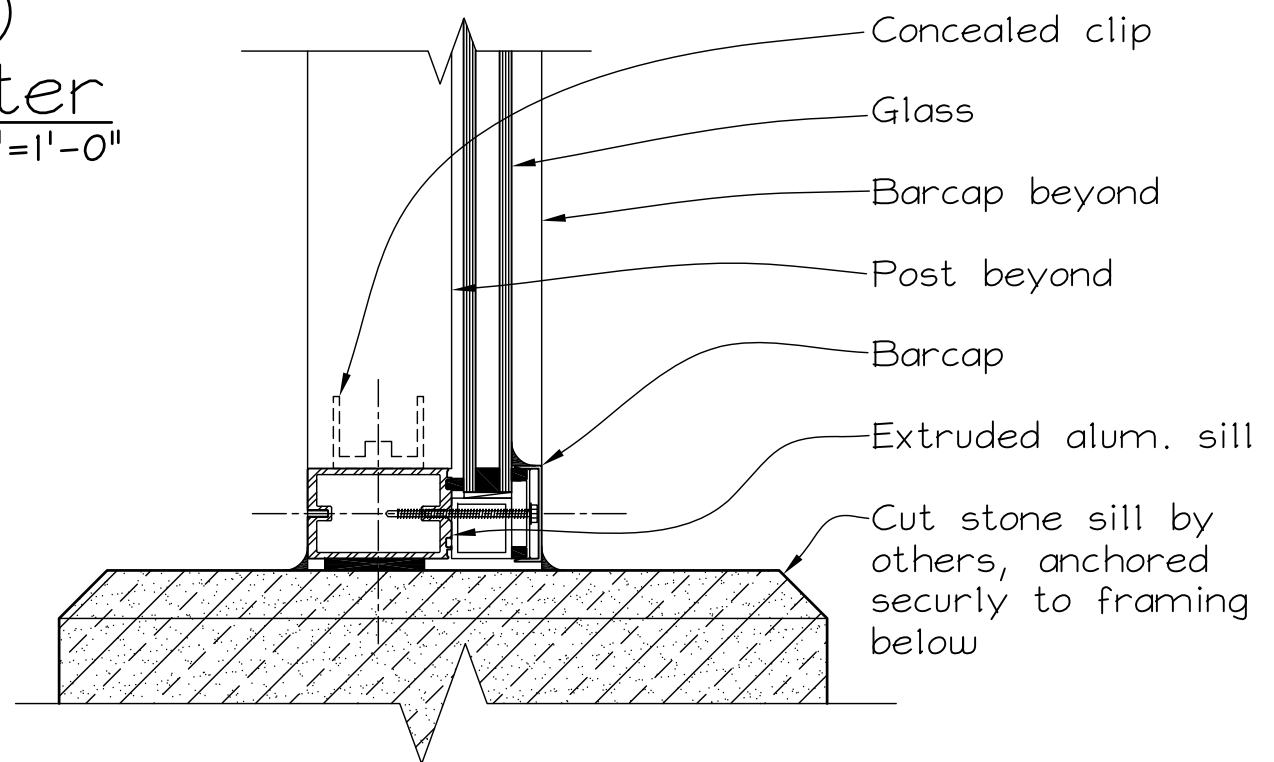
Manufacturer/Installer:  
○ WISCONSIN SOLAR DESIGN  
6349 Briarcliff Ln., Middleton, WI 53562



Ⓛ  
Jamb  
 Scale: 3"=1'-0"

Ⓧ  
Rafter  
 Scale: 3"=1'-0"

ⓐ  
Sill  
 Scale: 3"=1'-0"



ⓓ  
Corner  
 Scale: 3"=1'-0"

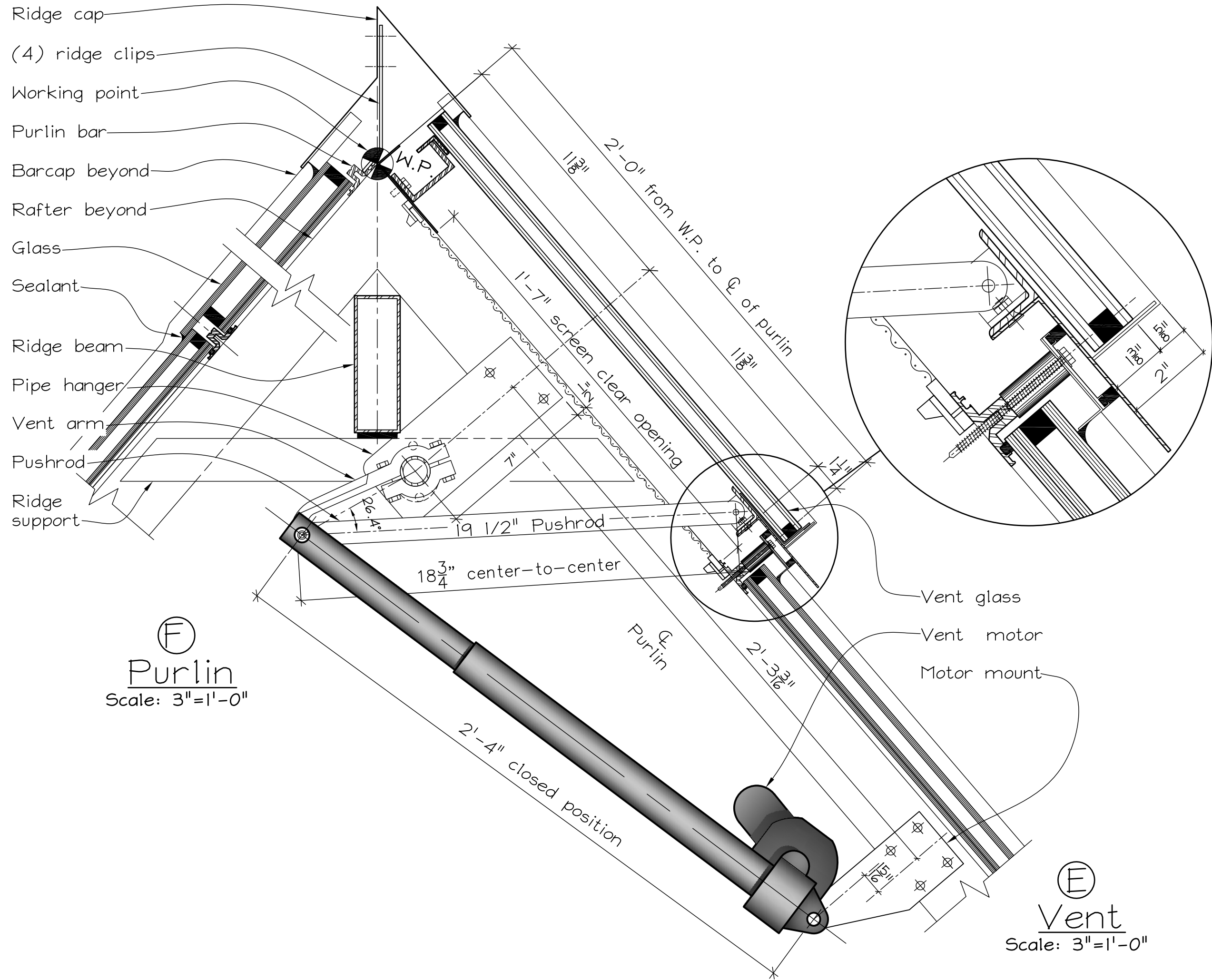
Manufacturer/Installer:  
**WISCONSIN SOLAR DESIGN**  
 6349 Briarcliff Ln., Middleton, WI 53562

General Contractor/Architect:  
 De Leers Construction  
 1735 Sal Street  
 Green Bay, WI 54302

Project:  
 Fred & Paula Schultz  
 Residence  
 6003 Sunset Shores Rd.  
 Green Bay, WI

7 of 11  
 Issued:  
 11/7/08

- Ridge cap
- (4) ridge clips
- Working point
- Purlin bar
- Barcap beyond
- Rafter beyond
- Glass
- Sealant
- Ridge beam
- Pipe hanger
- Vent arm
- Pushrod
- Ridge support



ⓕ  
Purlin  
Scale: 3"=1'-0"

ⓔ  
Vent  
Scale: 3"=1'-0"

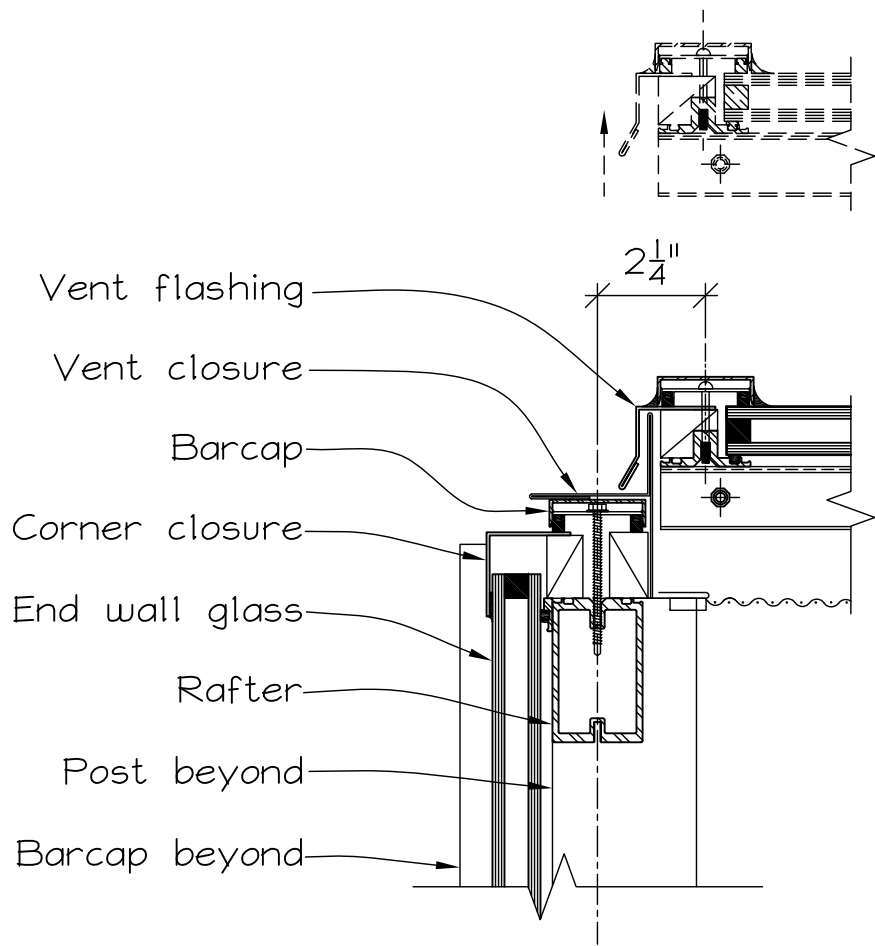
Manufacturer/Installer:  
**WISCONSIN SOLAR DESIGN**  
 6349 Briarcliff Ln., Middleton, WI 53562

General Contractor/Architect:  
 De Leers Construction  
 1735 Sal Street  
 Green Bay, WI 54302

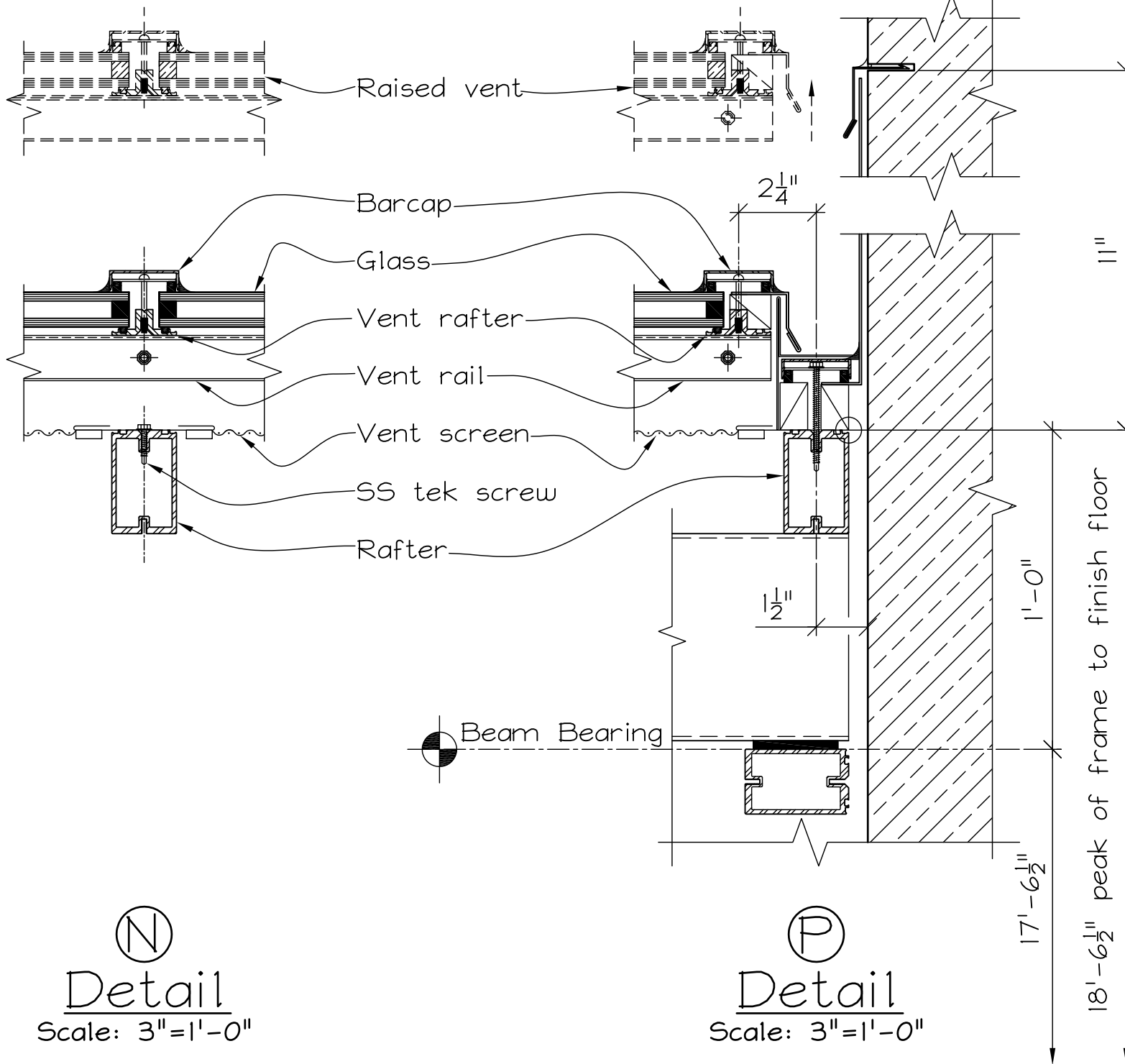
Project:  
 Fred & Paula Schultz  
 Residence  
 6003 Sunset Shores Rd.  
 Green Bay, WI

8 of 11  
 Issued:  
 11/7/08





Ⓜ  
Detail  
Scale: 3"=1'-0"



Ⓝ  
Detail  
Scale: 3"=1'-0"

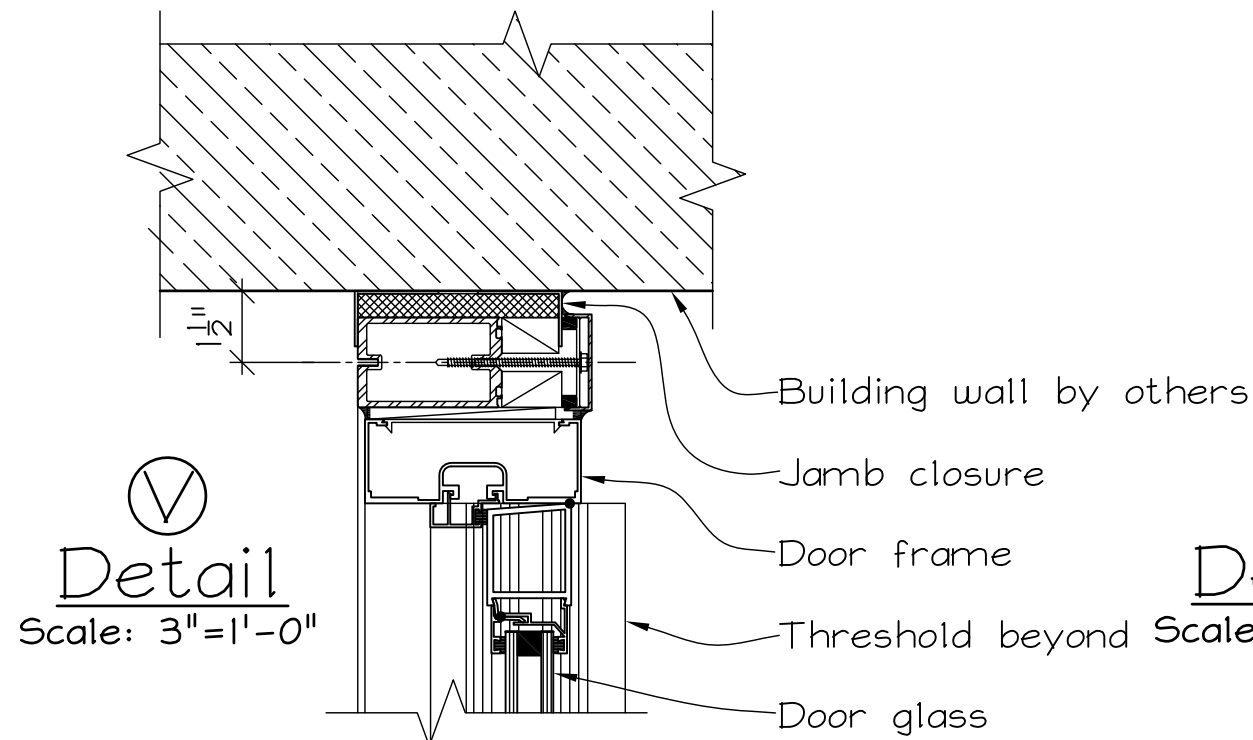
Ⓟ  
Detail  
Scale: 3"=1'-0"

Manufacturer/Installer:  
**WISCONSIN SOLAR DESIGN**  
 6349 Briarcliff Ln., Middleton, WI 53562

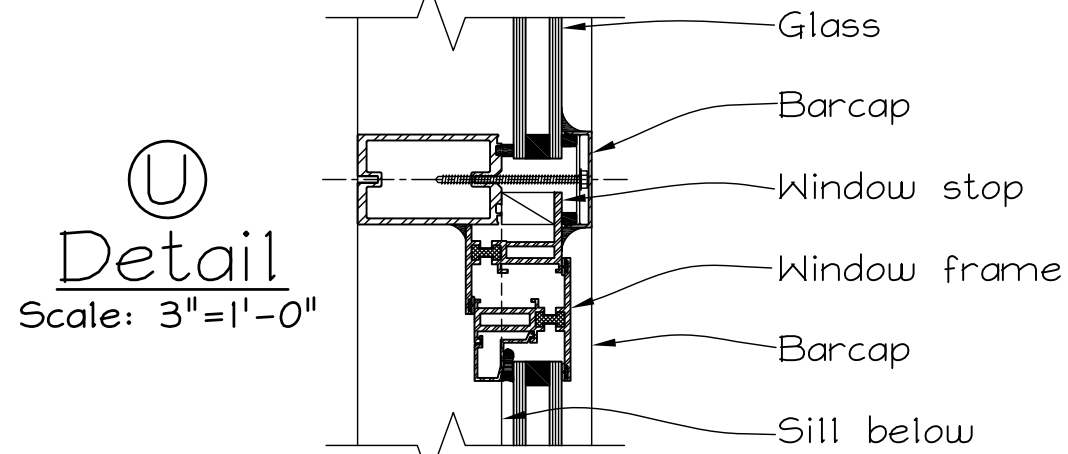
General Contractor/Architect:  
 De Leers Construction  
 1735 Sal Street  
 Green Bay, WI 54302

Project:  
 Fred & Paula Schultz  
 Residence  
 6003 Sunset Shores Rd.  
 Green Bay, WI

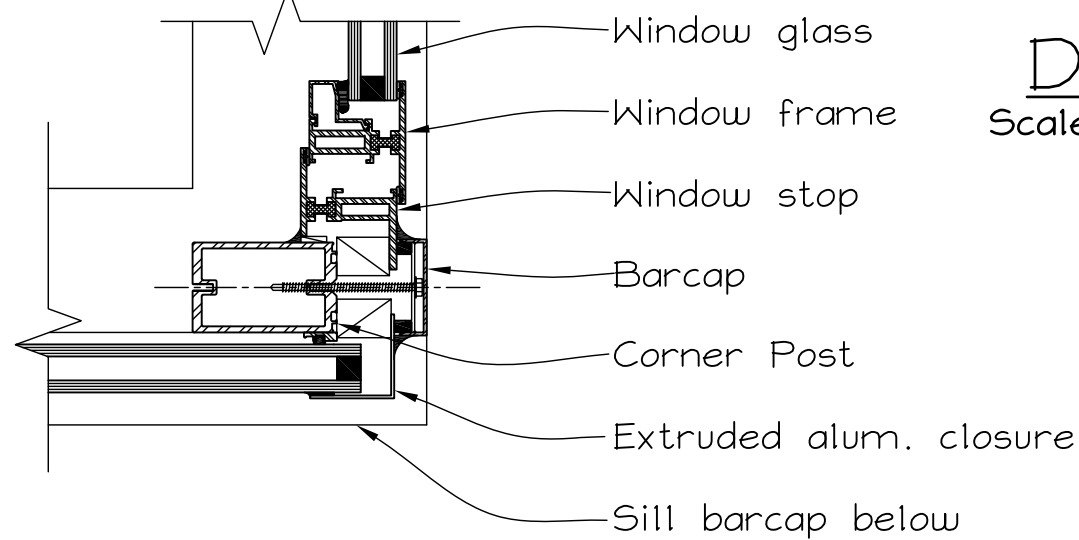
9 of 11  
 Issued:  
 11/7/08



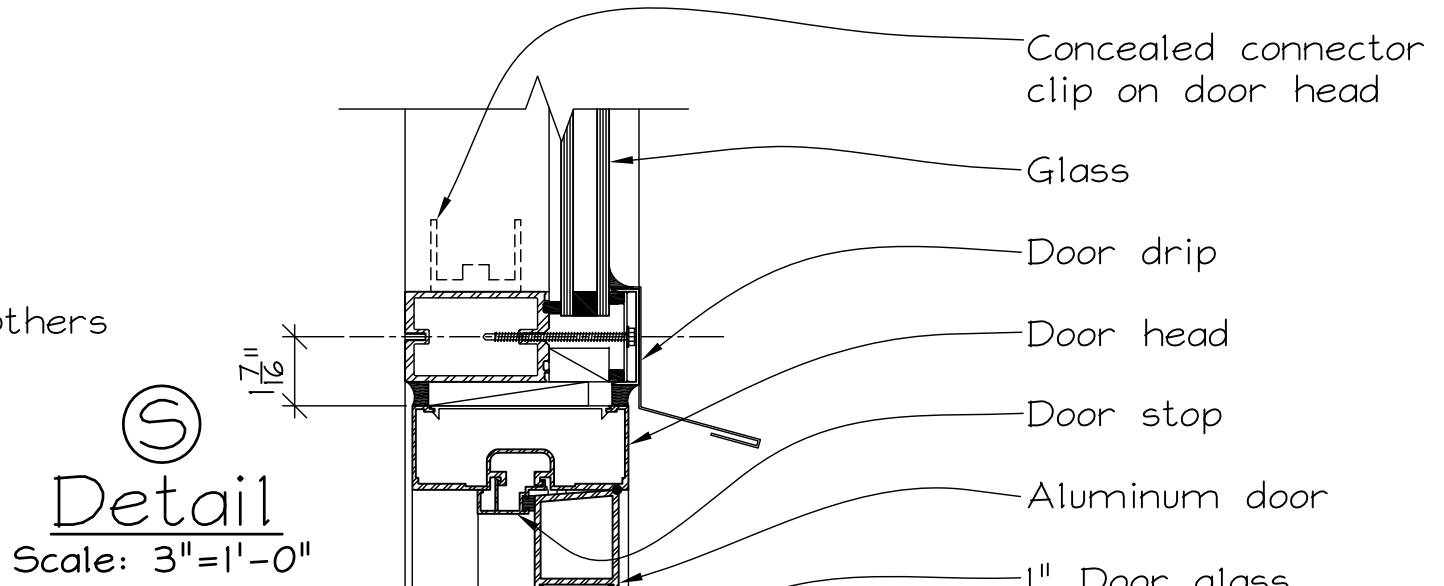
V  
 Detail  
 Scale: 3"=1'-0"



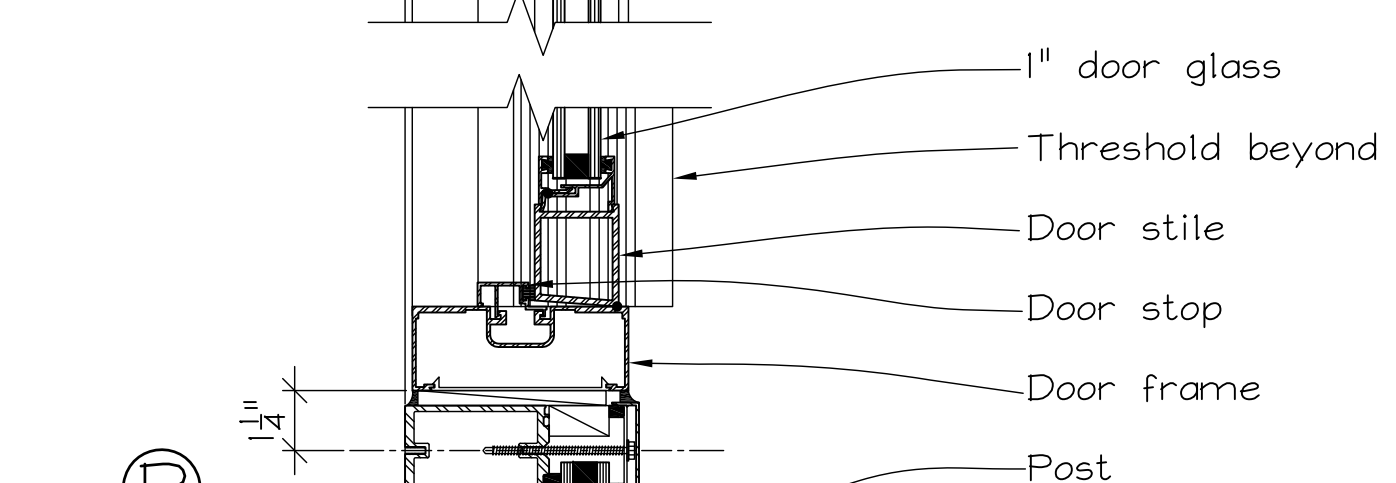
U  
 Detail  
 Scale: 3"=1'-0"



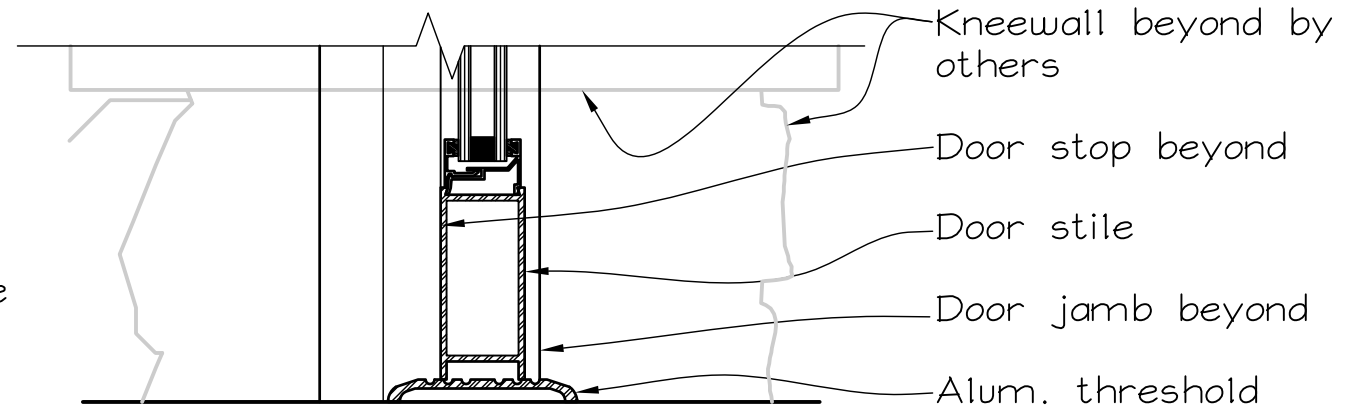
T  
 Detail  
 Scale: 3"=1'-0"



S  
 Detail  
 Scale: 3"=1'-0"



R  
 Detail  
 Scale: 3"=1'-0"

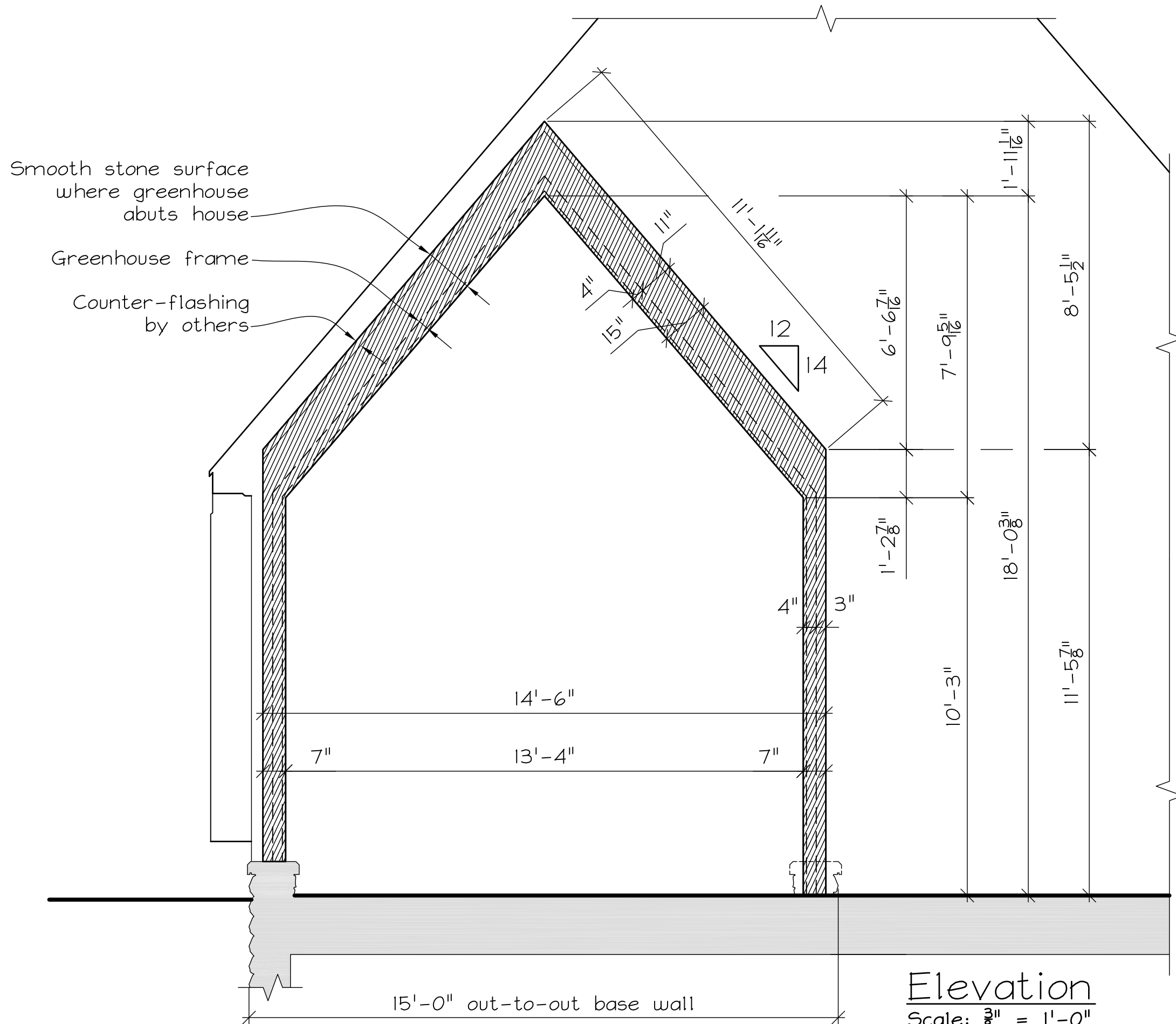


Q  
 Detail  
 Scale: 3"=1'-0"

Manufacturer/Installer:  
**WISCONSIN SOLAR DESIGN**  
 6349 Briarcliff Ln., Middleton, WI 53562

General Contractor/Architect:  
 De Leers Construction  
 1735 Sal Street  
 Green Bay, WI 54302

Project:  
 Fred & Paula Schultz  
 Residence  
 6003 Sunset Shores Rd.  
 Green Bay, WI



Manufacturer/Installer:  
**WISCONSIN SOLAR DESIGN**  
 6349 Briarcliff Ln., Middleton, WI 53562

General Contractor/Architect:  
 De Leers Construction  
 1735 Sal Street  
 Green Bay, WI 54302

Project:  
 Fred & Paula Schultz  
 Residence  
 6003 Sunset Shores Rd.  
 Green Bay, WI

|| of ||  
 Issued:  
 11/7/08