

MEDICAL OFFICE BUILDING AT ST. MARY'S HOSPITAL

SKYLIGHT SHOP DRAWINGS

Manufacturer/Installer:
WISCONSIN SOLAR DESIGN
 6349 Briarcliff Ln., Middleton, WI 53562

ARCHITECT:

Berners-Schober
 Associates, Inc.
 310 Pine St.
 Green Bay, WI 54301

INDEX:

- 1 canopy plan
- 2 canopy plan
- 3 elev./x-section
- 4 elevations
- 5 details
- 6 details
- 7 details
- 8 plastic skylights

DRAWING APPROVAL:

We have reviewed these drawings and approve their use for construction of the skylights. Any comments or suggestions have been added to the drawings.

Architect:

name _____

title _____

date _____

General Contractor:

name _____

title _____

date _____

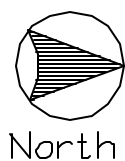
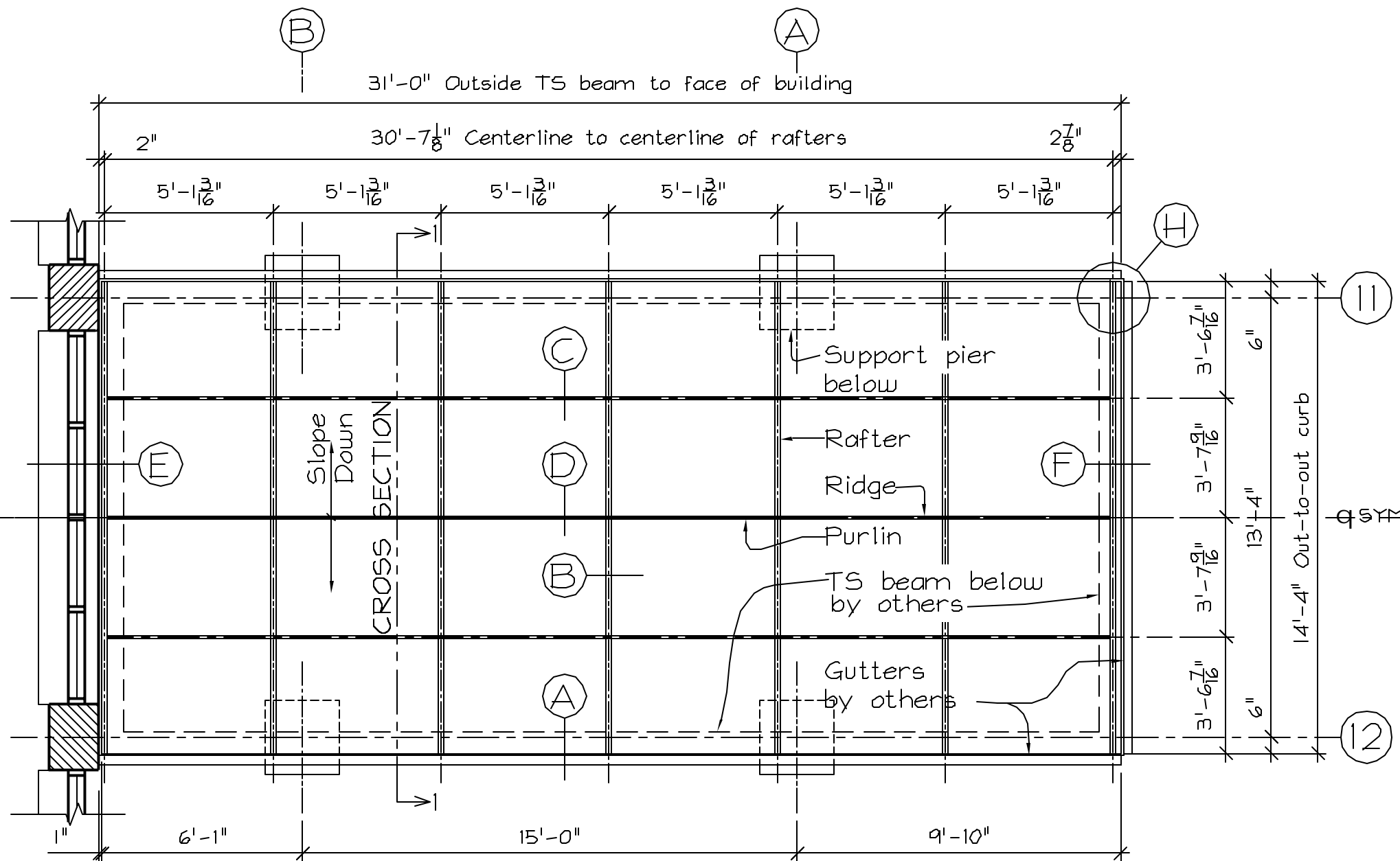
General Contractor:

Christy-Foltz, Inc.
 740 South Main Street
 Decatur, IL 62525

Project:

Medical Office Building
 St. Mary's Hospital
 Decatur, IL 62525

1 of 8
 Re-issued
 9/10/03



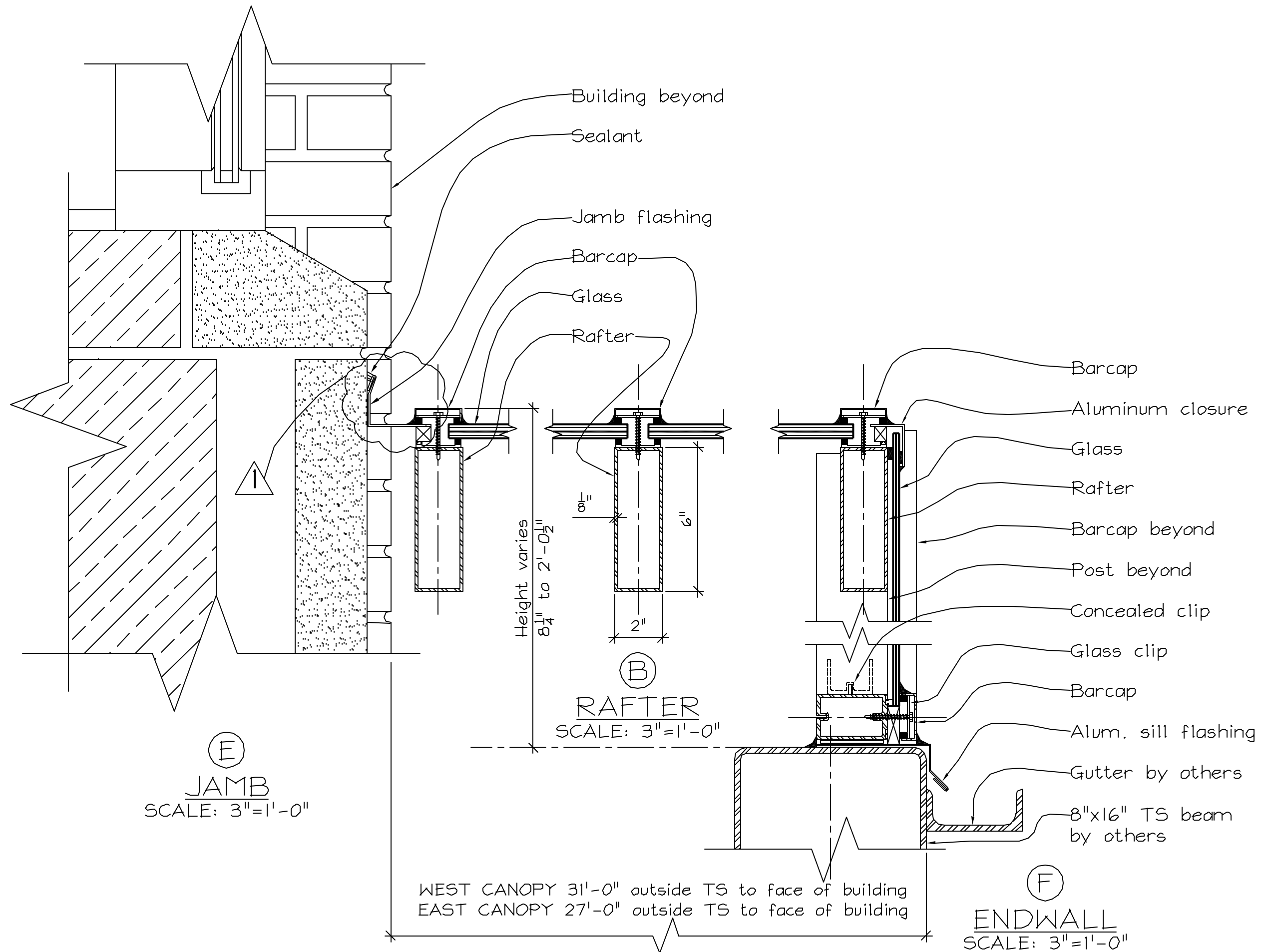
WEST CANOPY PLAN

SCALE: 1/4" = 1'-0"

North

Revisions: ^ Jamb flashing altered 9/10/03

drawn by: Jorge Medina



(E)
JAMB
SCALE: 3"=1'-0"

(B)
RAFTER
SCALE: 3"=1'-0"

(F)
ENDWALL
SCALE: 3"=1'-0"

WEST CANOPY 31'-0" outside TS to face of building
EAST CANOPY 27'-0" outside TS to face of building

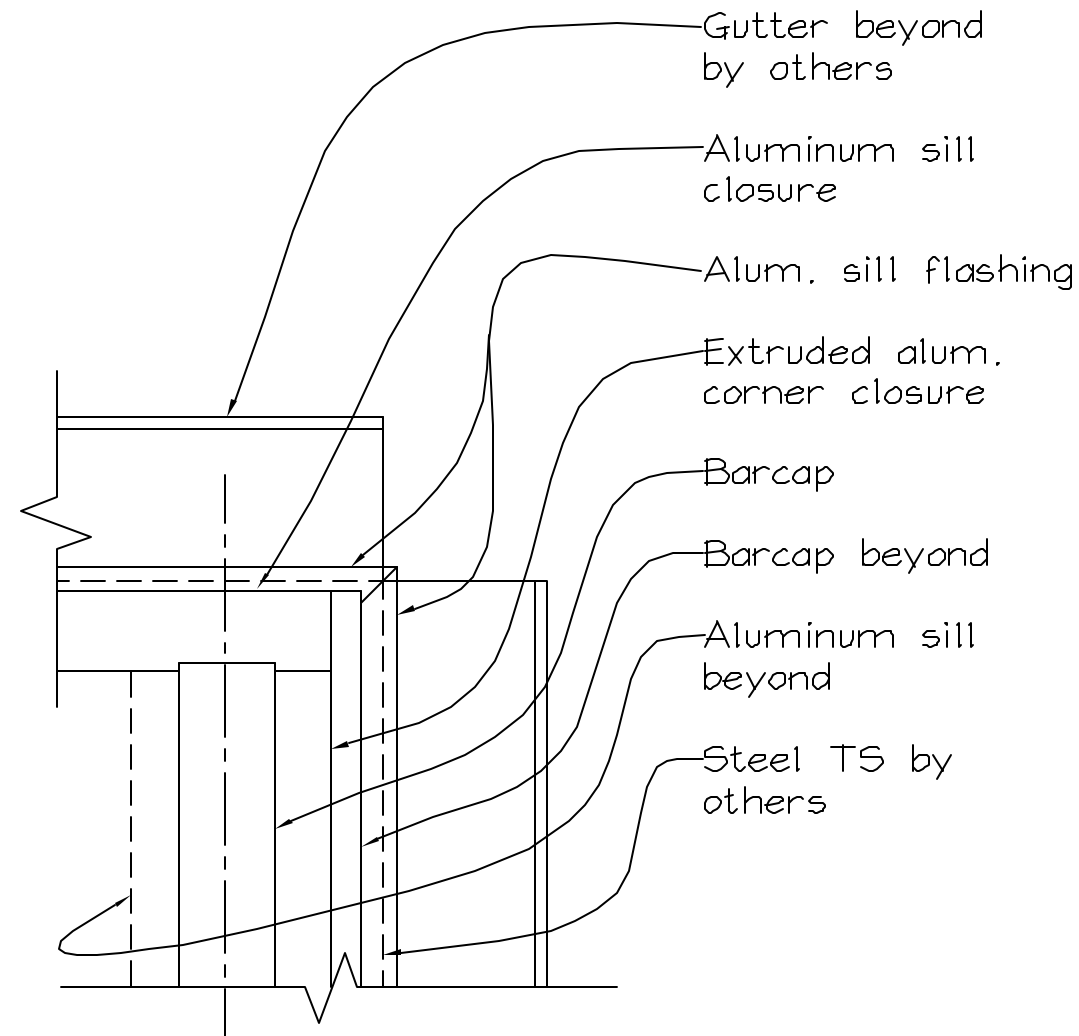
Manufacturer/Installer:
WISCONSIN SOLAR DESIGN
6349 Briarcliff Ln., Middleton, WI 53562

General Contractor:
Christy-Faltz, Inc.
740 South Main Street
Decatur, IL 62525

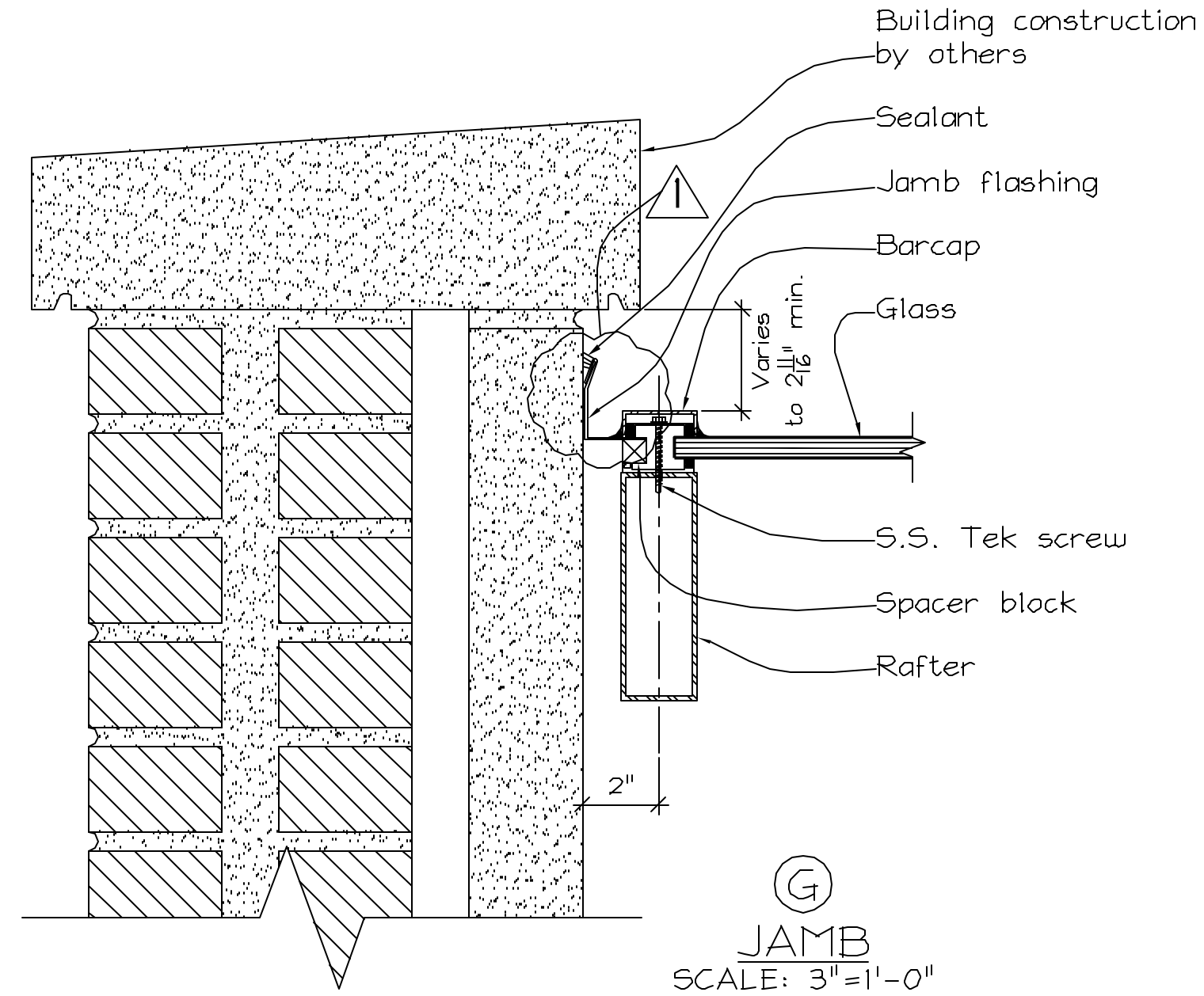
Project:
Medical Office Building
St. Mary's Hospital
Decatur, IL 62525

6 of 8
Re-issued
9/10/03

▲ 9/10/03 Flashing altered



(H)
CORNER
SCALE: 3"=1'-0"



(G)
JAMB
SCALE: 3"=1'-0"

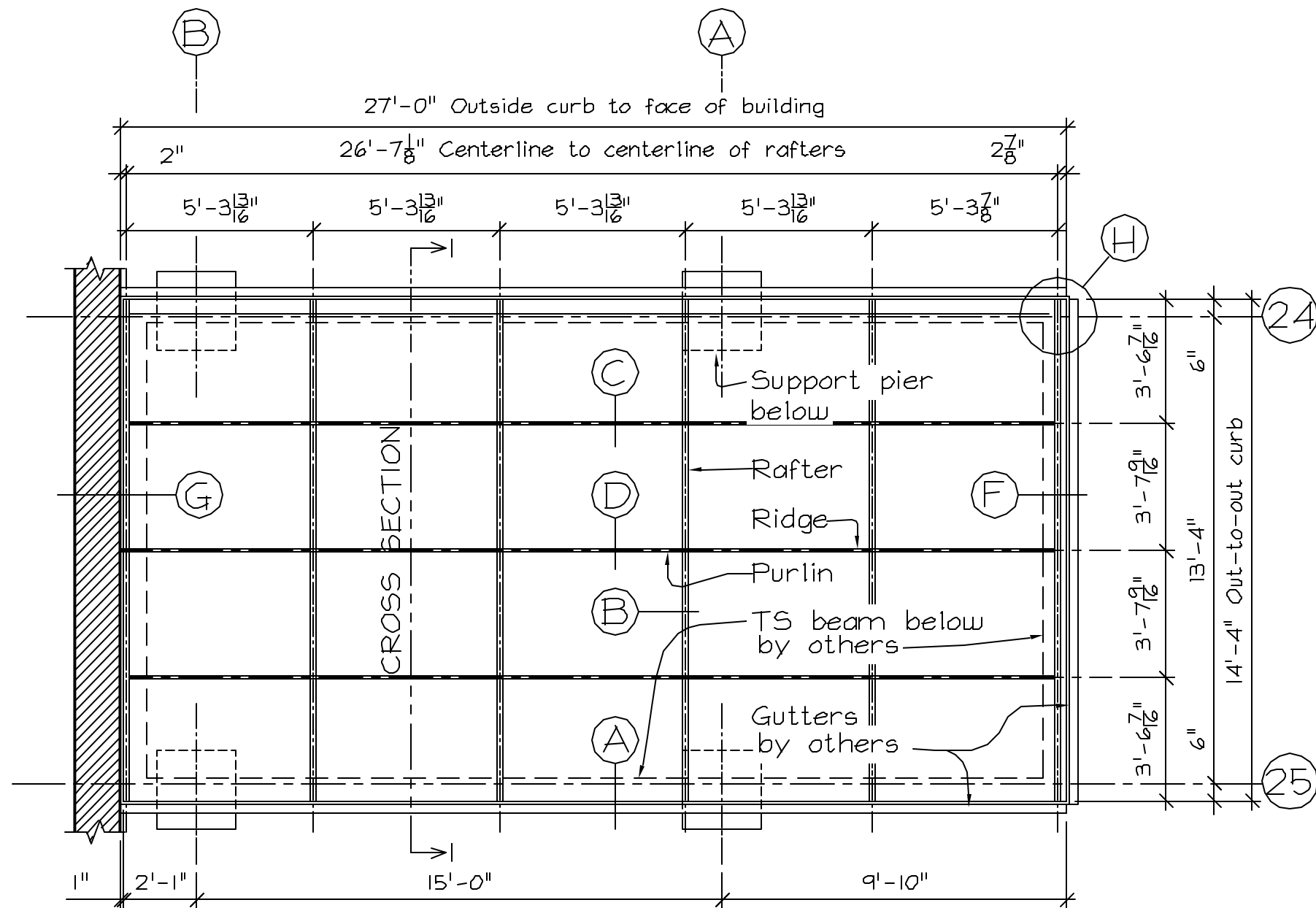
⚠ 9/10/03 Flashing altered

Manufacturer/Installer:
WISCONSIN SOLAR DESIGN
6349 Briarcliff Ln., Middleton, WI 53562

General Contractor:
Christy-Foltz, Inc.
740 South Main Street
Decatur, IL 62525

Project:
Medical Office Building
St. Mary's Hospital
Decatur, IL 62525

7 of 8
Re-issued
9/10/03



EAST CANOPY PLAN

SCALE: $\frac{1}{4}$ " = 1'-0"

SPECIFICATION EXCERPTS, CANOPIES, SECTION 07820

1. Glass is warranted for ten (10) years against lamination defects and one (1) year against breakage caused by edge irregularities.
2. The skylight is warranted for ten (10) years against leakage and defects in workmanship.
3. The glass consists of $\frac{9}{16}$ " bronze tinted laminated with a .060" clear vinyl interlayer in accordance with building codes.
4. Aluminum framework and flashing shall be class I dark bronze anodized.
5. Aluminum and dissimilar metals shall be separated by a protective coating of asphaltic paint or continuous nonmetallic spacer.

PLASTIC DOME SKYLIGHTS, SECTION 07700, 2.03

1. Glazing: Pyramidal domes consisting of Lexan XL10 polycarbonate, bronze #2556 outer dome over colorless translucent inner dome.
2. The aluminum frame will be thermally broken with a mill finish

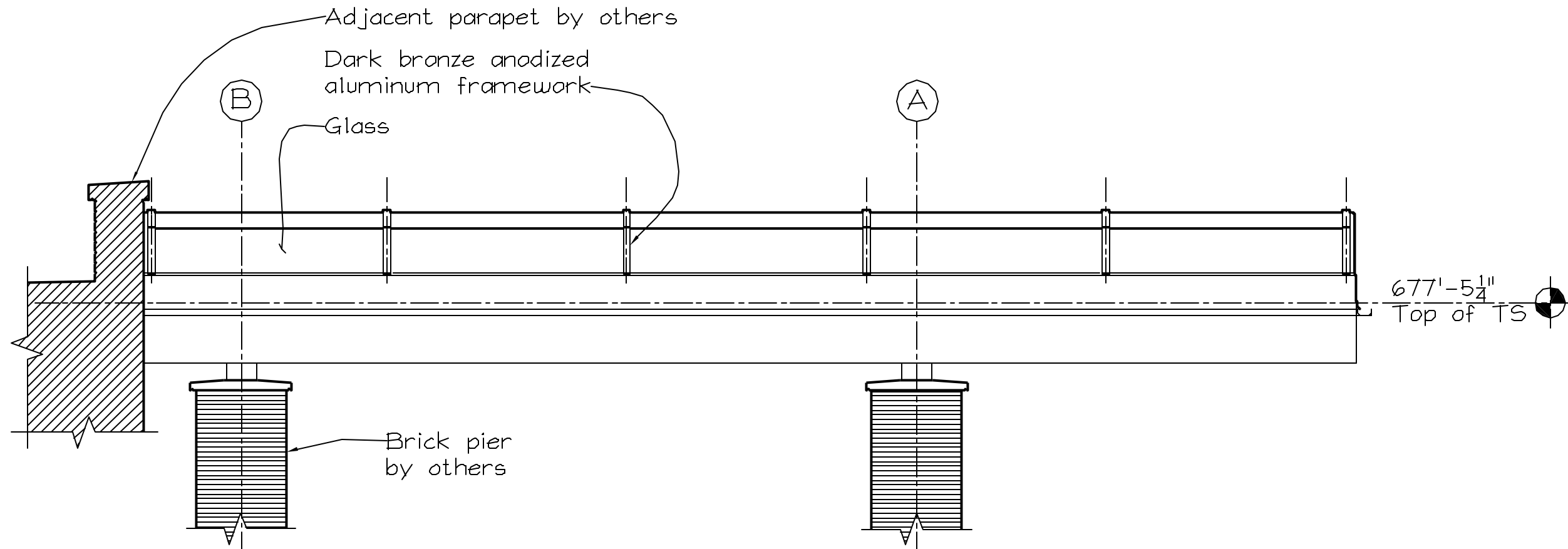
NOTE: Wisconsin Solar Design manufactured skylights have been approved by Berners-Schober Associates, Inc.
Nathan Sorensen, AIA, 3-20-03

Manufacturer/Installer:
WISCONSIN SOLAR DESIGN
6349 Briarcliff Ln., Middleton, WI 53562

General Contractor:
Christy-Foltz, Inc.
740 South Main Street
Decatur, IL 62525

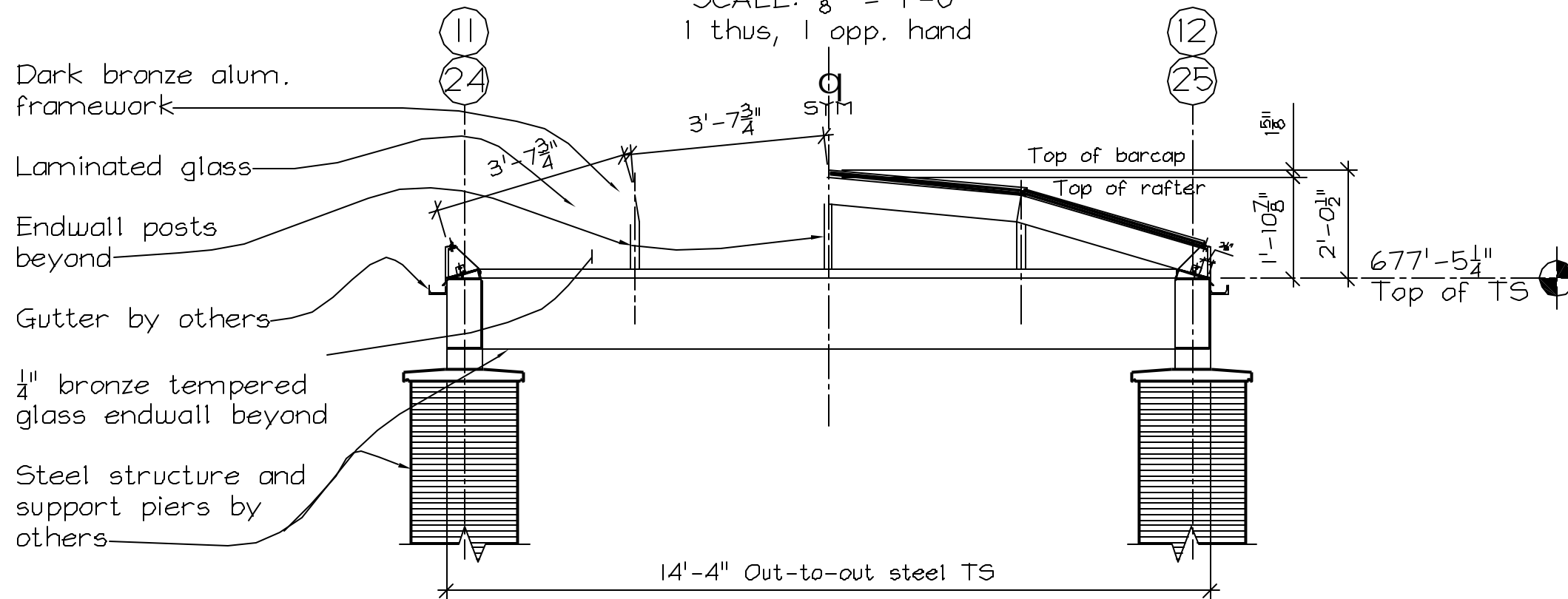
Project:
Medical Office Building
St. Mary's Hospital
Decatur, IL 62525

2 of 8
Re-issued
9/10/03



EAST CANOPY SIDE ELEVATION

SCALE: 3/8" = 1'-0"
1 thus, 1 opp. hand



① CROSS-SECTION

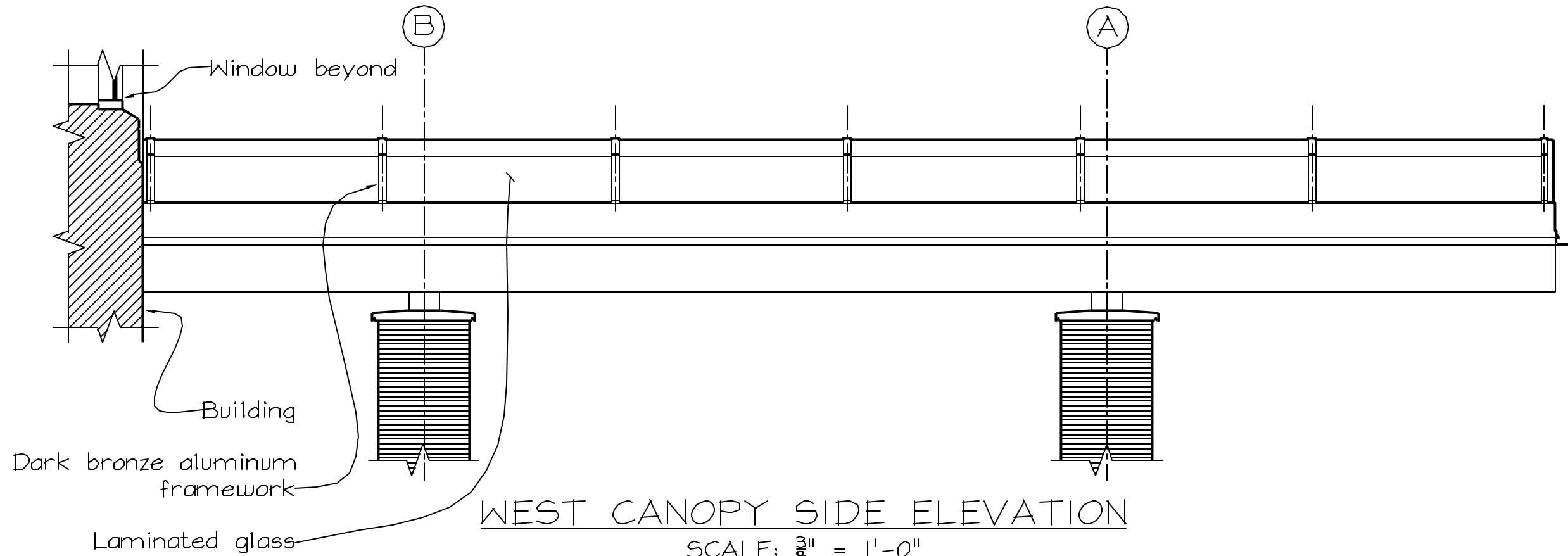
SCALE: 3/8" = 1'-0"

Manufacturer/Installer:
WISCONSIN SOLAR DESIGN
6349 Briarcliff Ln., Middleton, WI 53562

General Contractor:
Christy-Foltz, Inc.
740 South Main Street
Decatur, IL 62525

Project:
Medical Office Building
St. Mary's Hospital
Decatur, IL 62525

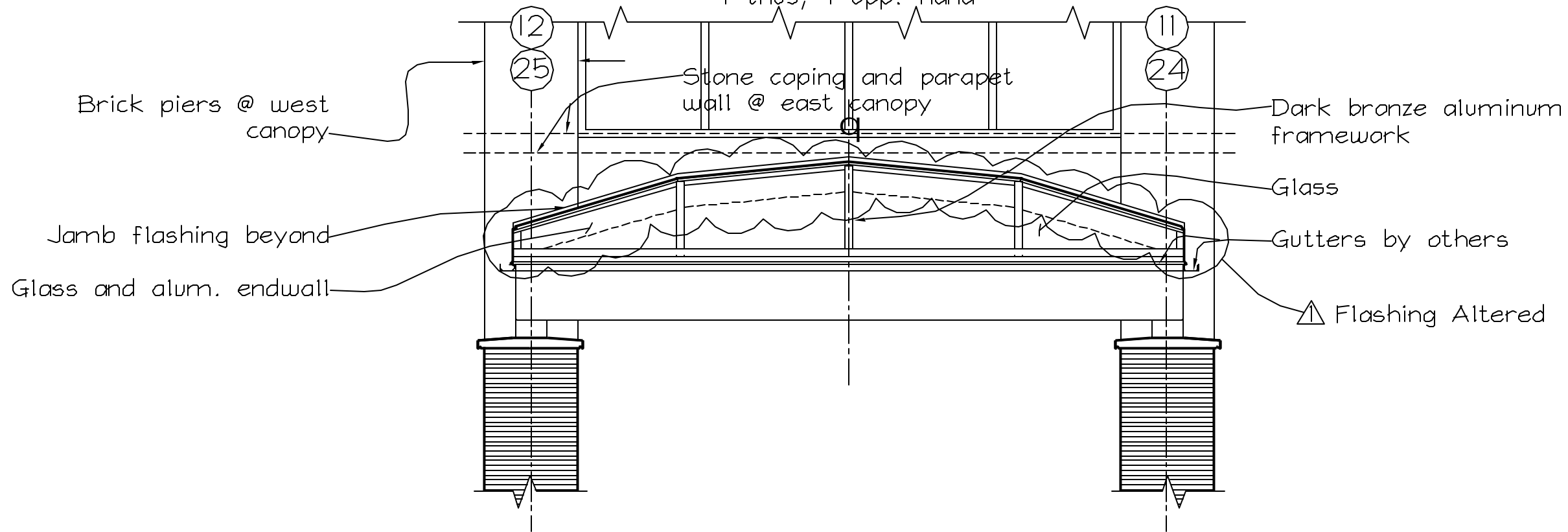
3 of 8
Re-issued
9/10/03



WEST CANOPY SIDE ELEVATION

SCALE: $\frac{3}{8}$ " = 1'-0"

1 thus, 1 opp. hand



EAST & WEST CANOPIES ENDWALL ELEVATION

SCALE: $\frac{3}{8}$ " = 1'-0"

2 thus

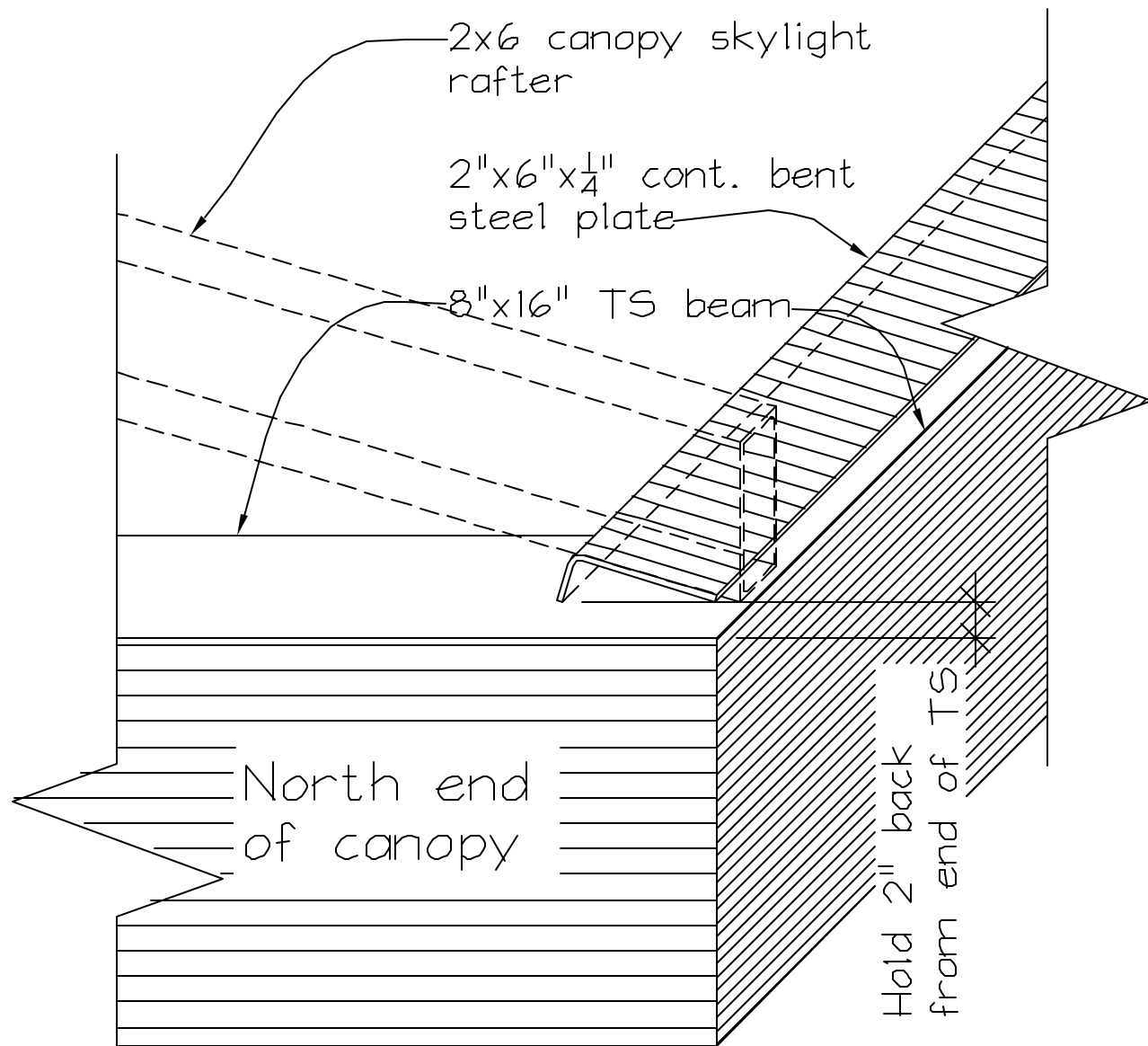
△ 9/9/03

Manufacturer/Installer:
WISCONSIN SOLAR DESIGN
 6349 Briarcliff Ln., Middleton, WI 53562

General Contractor:
 Christy-Foltz, Inc.
 740 South Main Street
 Decatur, IL 62525

Project:
 Medical Office Building
 St. Mary's Hospital
 Decatur, IL 62525

4 of 8
 Re-issued
 9/10/03

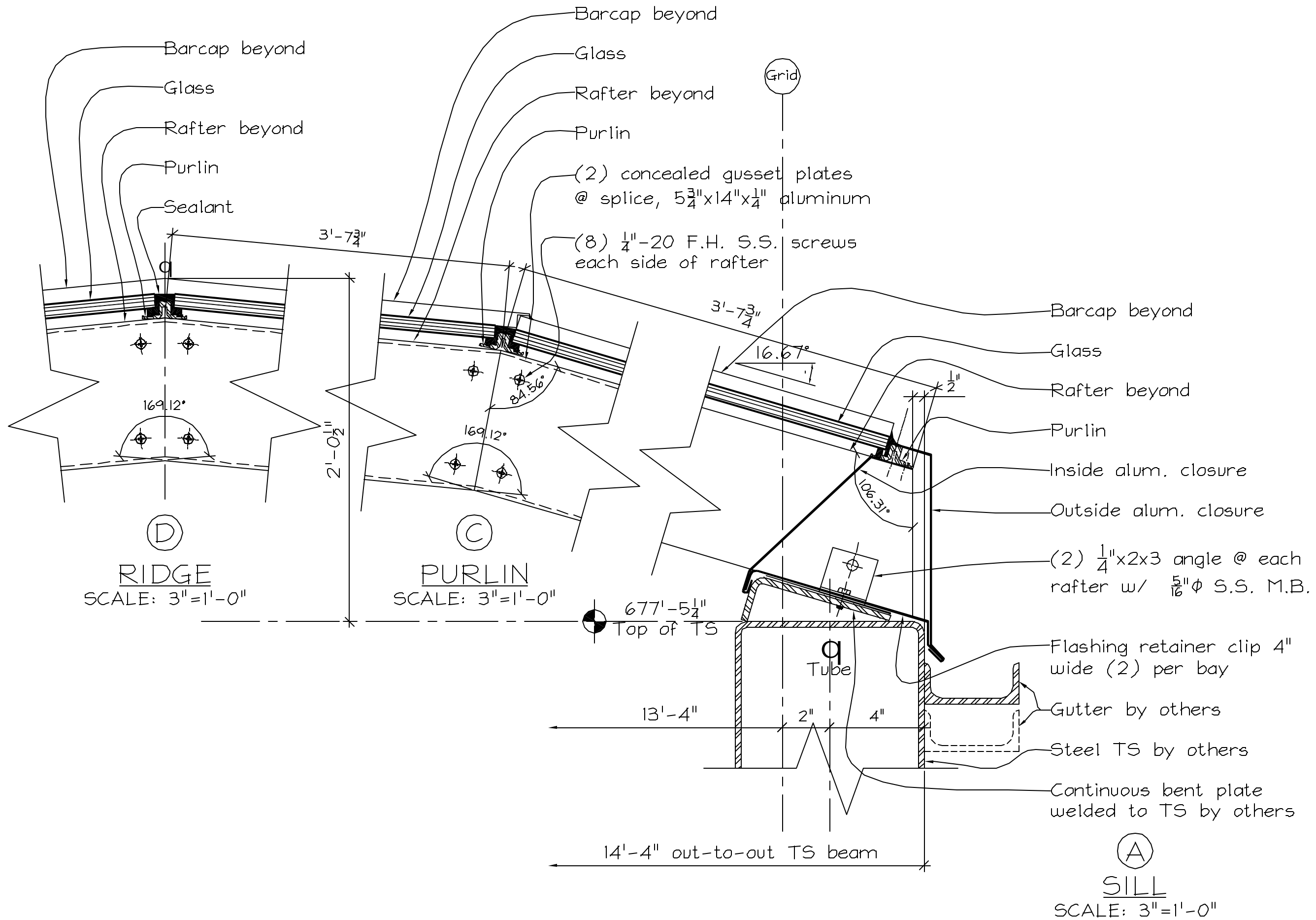


Location of bent steel plate at north end of canopies

2 each @
 2 canopies=
 4 total locations

Manufacturer/Installer:
WISCONSIN SOLAR DESIGN
 6349 Briarcliff Ln., Middleton, WI 53562

| of |
 7/17/03



D
RIDGE
SCALE: 3"=1'-0"

C
PURLIN
SCALE: 3"=1'-0"

A
SILL
SCALE: 3"=1'-0"

Manufacturer/Installer:
WISCONSIN SOLAR DESIGN
6349 Briarcliff Ln., Middleton, WI 53562

General Contractor:
Christy-Foltz, Inc.
740 South Main Street
Decatur, IL 62525

Project:
Medical Office Building
St. Mary's Hospital
Decatur, IL 62525

5 of 8
Re-issued
9/10/03