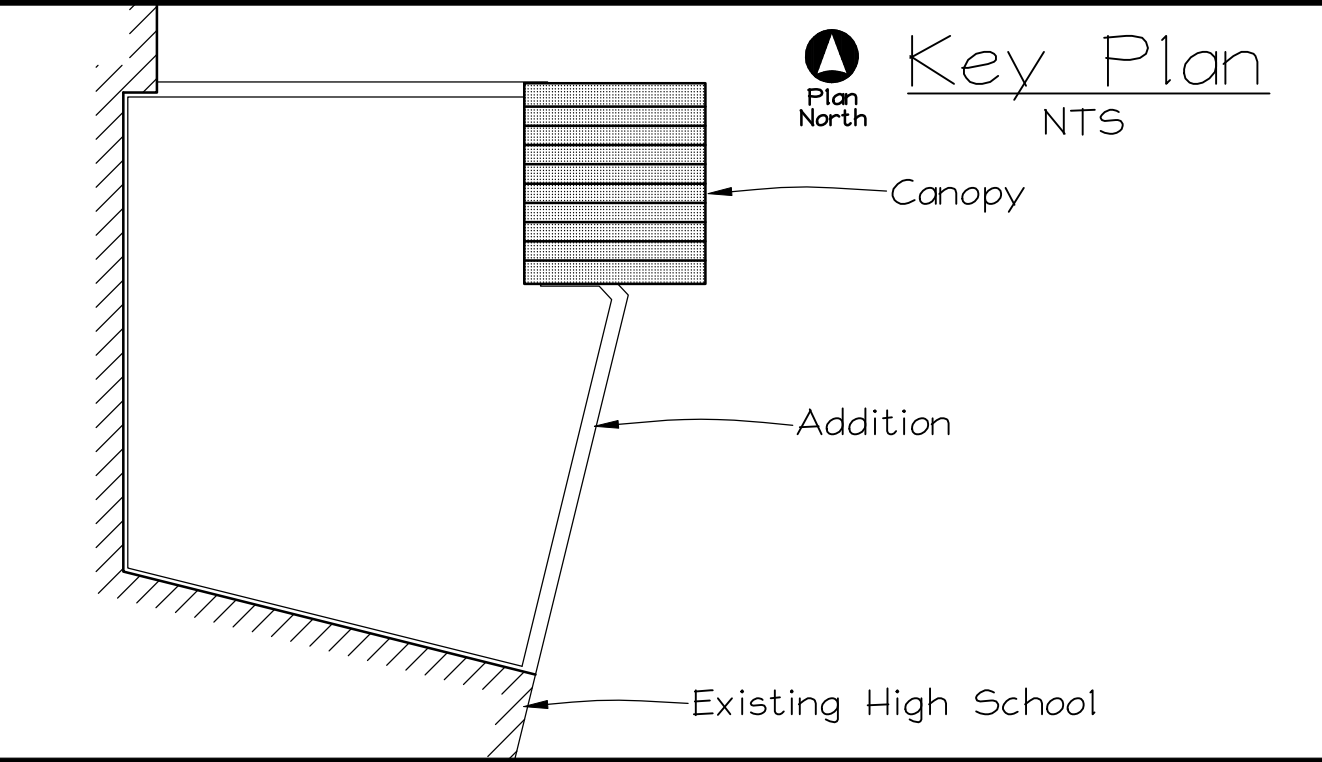


Clear Lake High School Additions & Elementary Additions
 School District of Clear Lake, Clear Lake, WI
 Canopy Shop Drawings - Section 08 45 00 Translucent Wall & Roof Assemblies

ARCHITECT:
 HSR Associates
 100 Milwaukee Street
 La Crosse, WI 54603

CONSTRUCTION MANAGER:
 Kraus-Anderson Construction Co.
 8625 Rendova Street NE
 P.O. Box 158
 Circle Pines, MN 55014

PRODUCT DATA:
Canopy Glazing: 20mm standing seam structured polycarbonate system with battens, color to be selected by architect from standard colors, samples provided under separate cover.
Finish: Extruded aluminum members and flashings to have a Class 1 clear anodized finish.
Warranty: Skylight and Finish, including leakage, 1 year. Glazing, including yellowing and LT, 10 years.
Product Approval: Wisconsin Solar Design Inc (WSD) is a specified manufacturer.
Test Reports: NFRC test reports for this system are available online at www.wisconsinsolardesign.com.
Installer Certification: Installers are full-time employees of WSD and are certified by the manufacturer.
Structural: Design Data: deflection, $\Delta_{max} = \frac{L}{175} = .29"$ @ 4'-3" span, SL=60 psf (ground) / 47 psf (flat roof), DL=10 psf, basic wind speed=90 mph. See page 8 of 8 for framing member structural and physical characteristics. Maximum span = 4'-3". The WSD skylight system is designed for 10'+ spans and deemed structurally adequate by inspection for this fully supported system.



SHEET INDEX

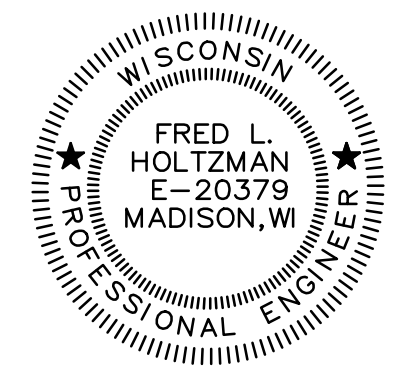
1	Cover Sheet	5	Canopy Elevation & Section
2	Framing Plans	6	Canopy Sections
3	Canopy Plan	7	Canopy Details
4	Canopy Elevations	8	Canopy Details & Rafter/Purlin Properties

DRAWING APPROVAL:
 We have reviewed these drawings and approve their use for construction of the canopy. Any comments or suggestions have been added to the drawings.

Architect: HRS Associates	Construction Manager: Kraus Anderson Construction Co.
name _____	name _____
title _____	title _____

- NOTES:**
1. Glazing Contractor: Please fill in guaranteed centerline-to-centerline of steel dimensions & pitch/length info noted thus * on pages 2 & 4 and initial. These dimensions will be used as the basis of canopy fabrication.
 2. Construction Manager: See note on page 7 of 8.

GLAZING CONTRACTOR:
 Rice Lake Glass & Door Co.
 227 W. Coleman St.
 Rice Lake, WI 54868

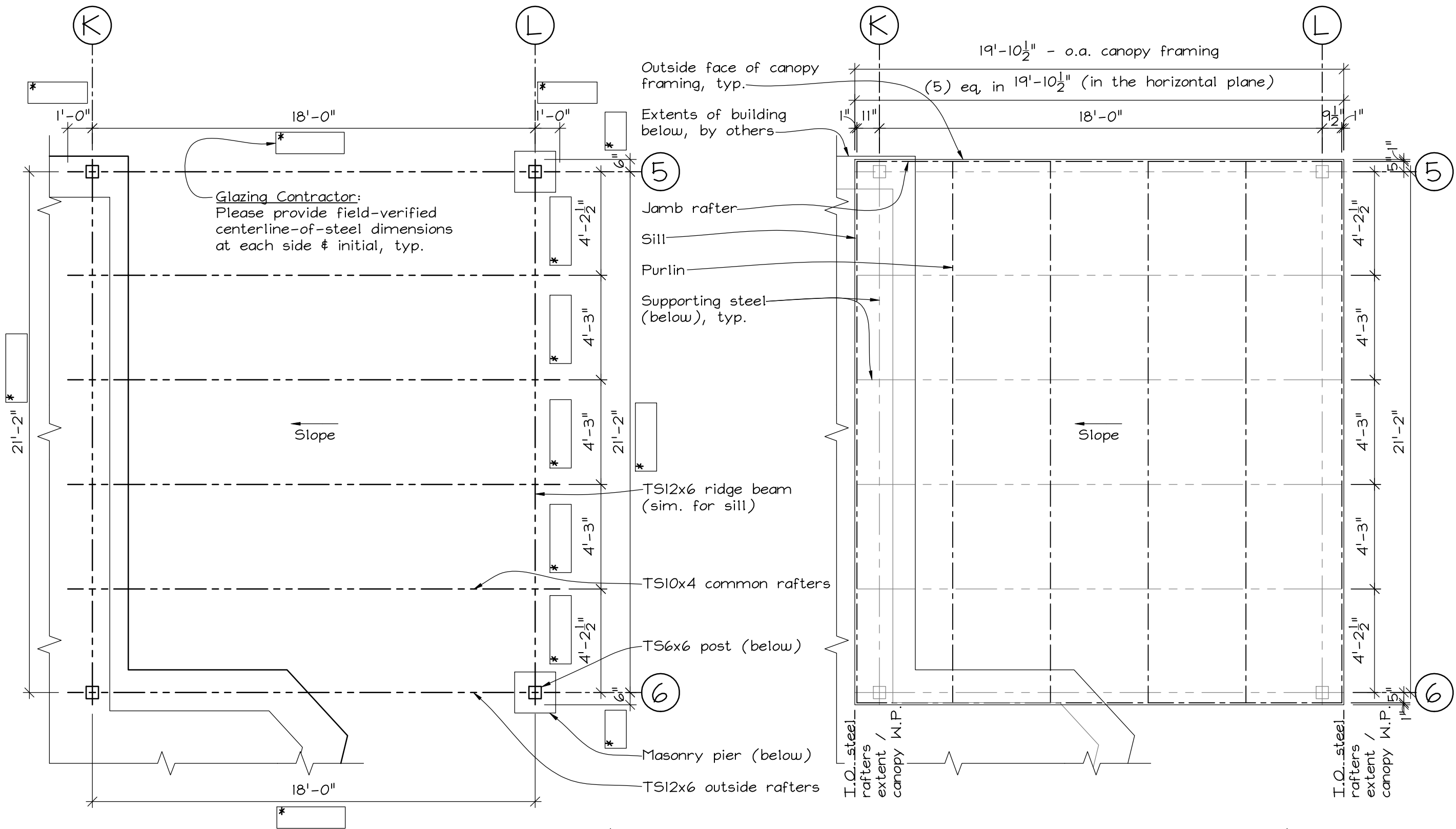


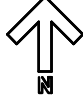
Drawings by: James Thomack,
 Wisconsin Solar Design

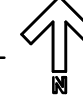
Manufacturer/Installer:
WISCONSIN SOLAR DESIGN
 6349 Briarcliff Ln., Middleton, WI 53562

Project:
 Clear Lake HS / ES Additions
 135 8th Avenue
 Clear Lake, WI 54005

Architect:
 HSR Associates, Inc.
 100 Milwaukee Street
 La Crosse, Wisconsin



Plan - Supporting Steel (by others) 
Scale: 1/4" = 1'-0"

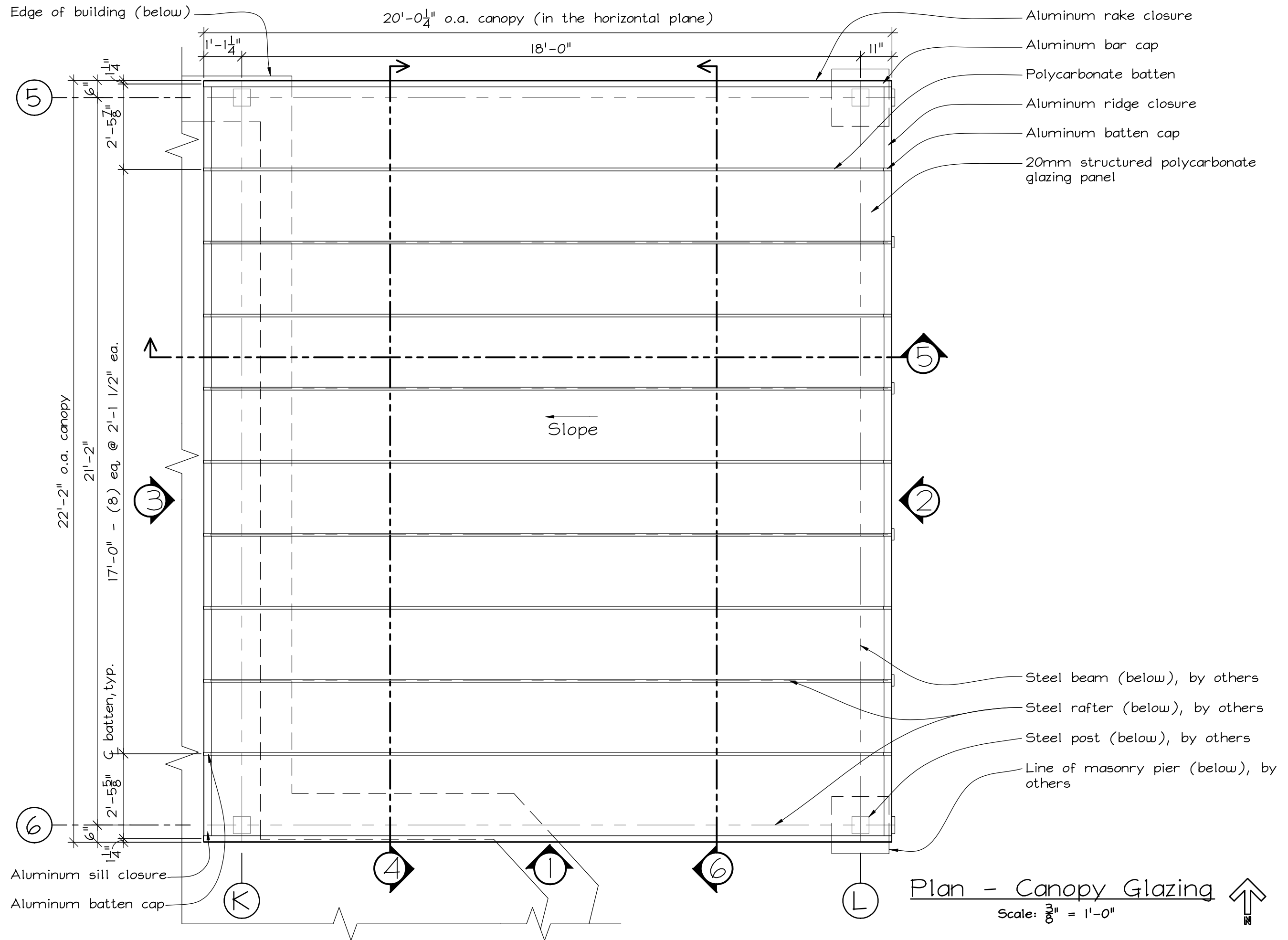
Plan - Canopy Framing 
Scale: 1/4" = 1'-0"

Manufacturer/Installer:
WISCONSIN SOLAR DESIGN
6349 Briarcliff Ln., Middleton, WI 53562

Project:
Clear Lake HS / ES Additions
135 8th Avenue
Clear Lake, WI 54005

Architect:
HSR Associates, Inc.
100 Milwaukee Street
La Crosse, Wisconsin

2 of 8
Issued:
1/21/13

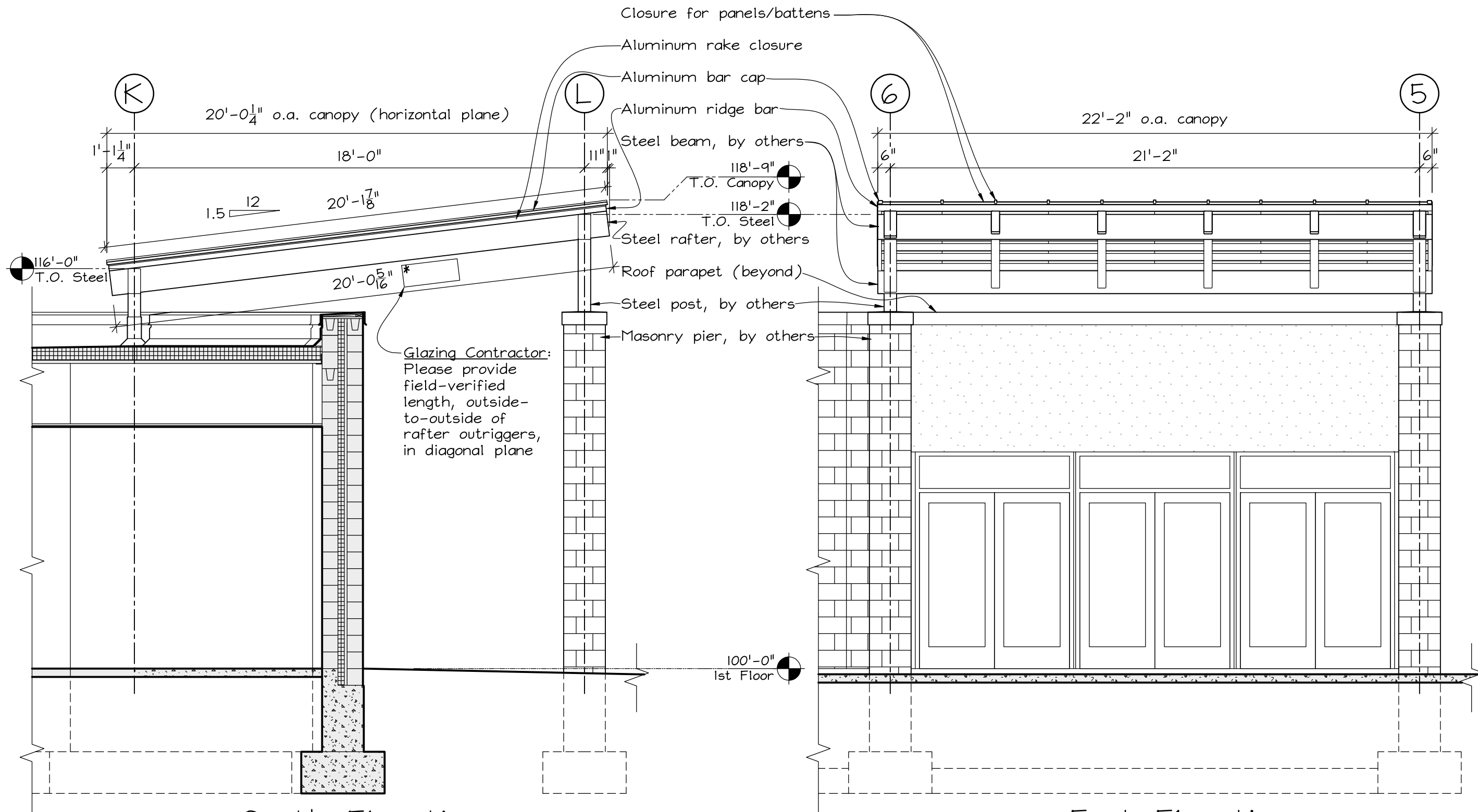


Manufacturer/Installer:
WISCONSIN SOLAR DESIGN
 6349 Briarcliff Ln., Middleton, WI 53562

Project:
 Clear Lake HS / ES Additions
 135 8th Avenue
 Clear Lake, WI 54005

Architect:
 HSR Associates, Inc.
 100 Milwaukee Street
 La Crosse, Wisconsin

3 of 8
 Issued:
 1/21/13



① South Elevation

Scale: 1/4" = 1'-0"

Note: North elevation similar.

② East Elevation

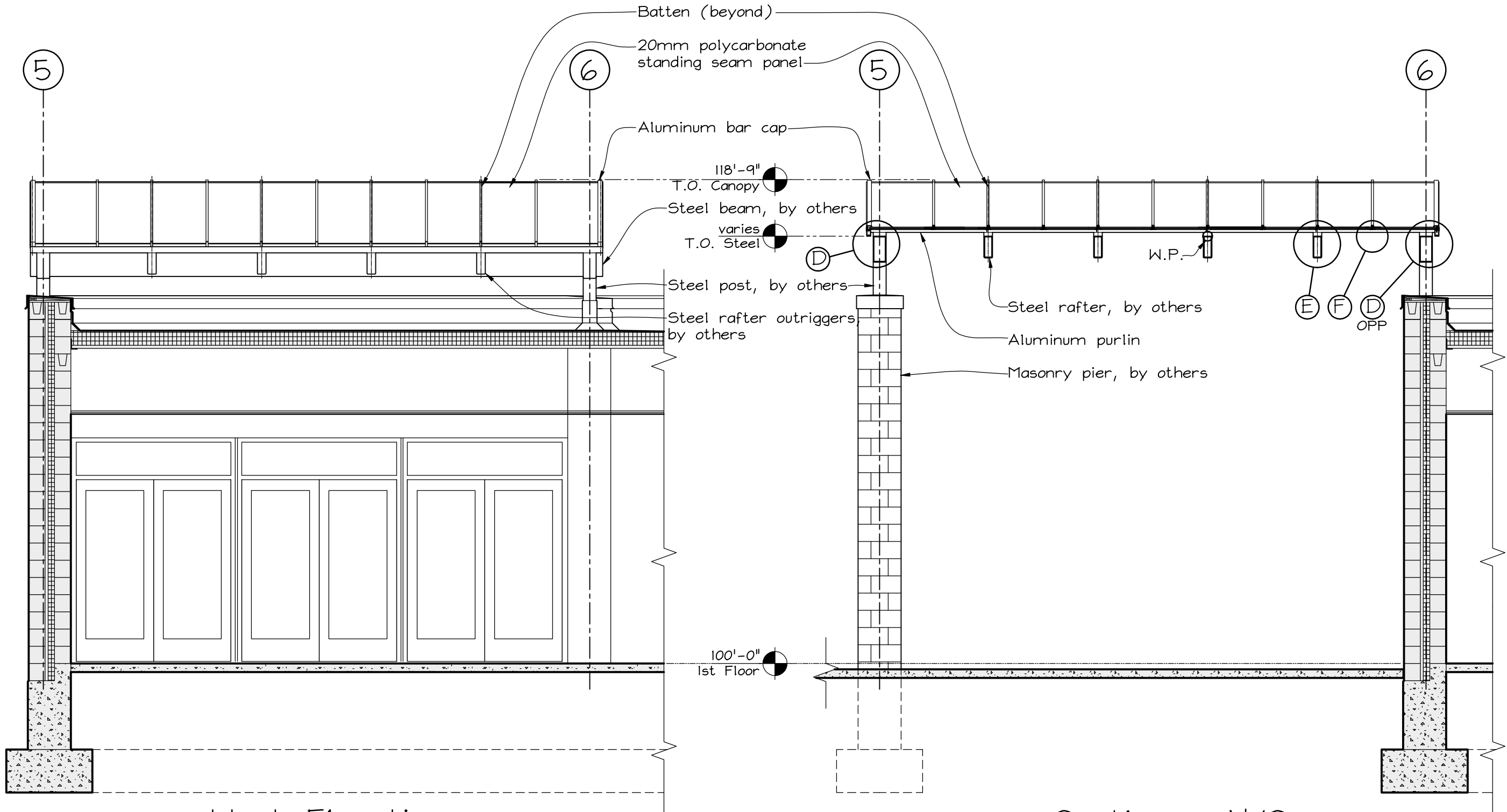
Scale: 1/4" = 1'-0"

Manufacturer/Installer:
WISCONSIN SOLAR DESIGN
 6349 Briarcliff Ln., Middleton, WI 53562

Project:
 Clear Lake HS / ES Additions
 135 8th Avenue
 Clear Lake, WI 54005

Architect:
 HSR Associates, Inc.
 100 Milwaukee Street
 La Crosse, Wisconsin

4 of 8
 Issued:
 1/21/13



③ West Elevation
Scale: $\frac{1}{4}'' = 1'-0''$

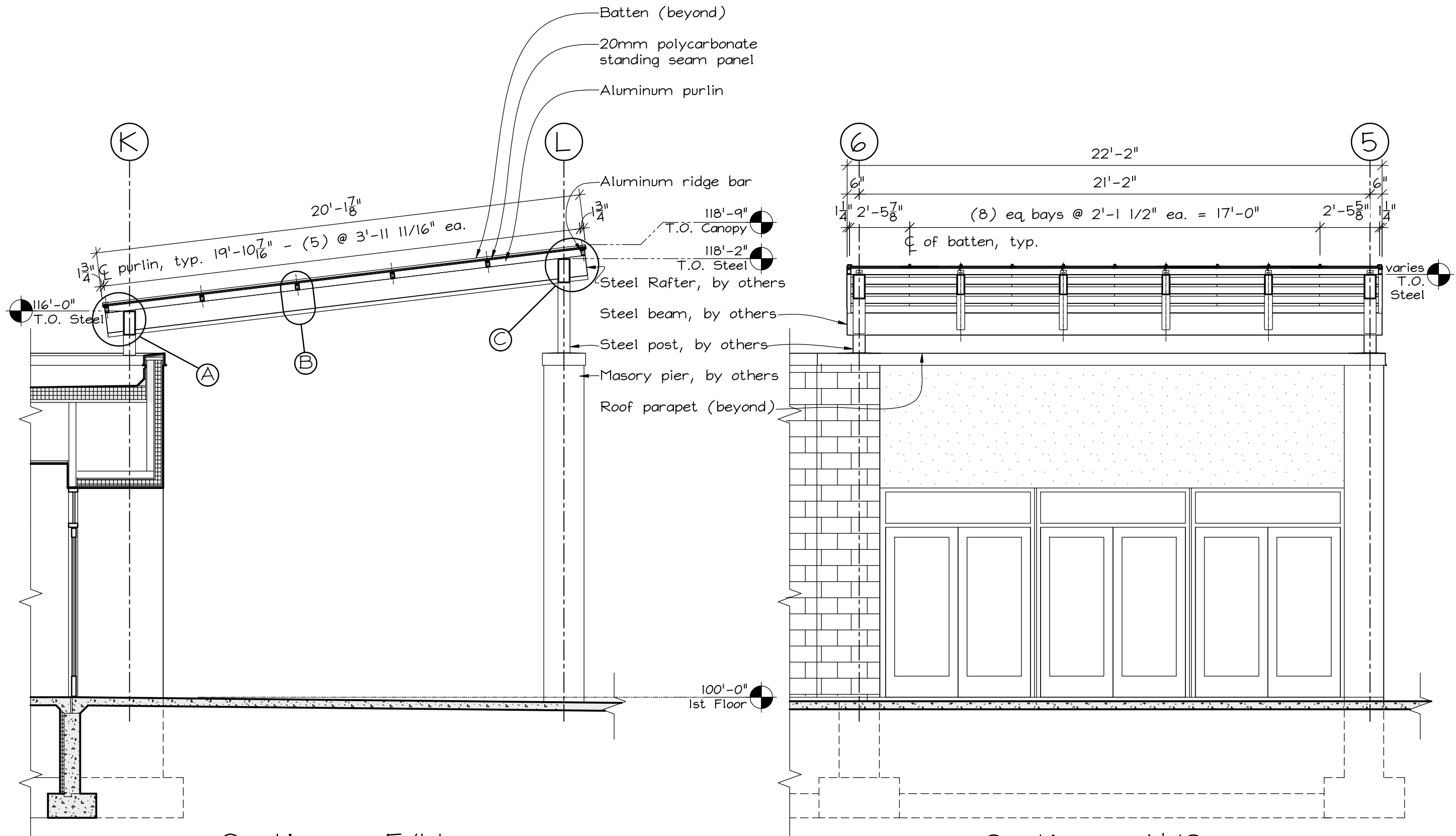
④ Section - N/S
Scale: $\frac{1}{4}'' = 1'-0''$

Manufacturer/Installer:
WISCONSIN SOLAR DESIGN
 6349 Briarcliff Ln., Middleton, WI 53562

Project:
 Clear Lake HS / ES Additions
 135 8th Avenue
 Clear Lake, WI 54005

Architect:
 HSR Associates, Inc.
 100 Milwaukee Street
 La Crosse, Wisconsin

5 of 8
 Issued:
 1/21/13



⑤ Section - E/W
Scale: 1/4" = 1'-0"

⑥ Section - N/S
Scale: 1/4" = 1'-0"

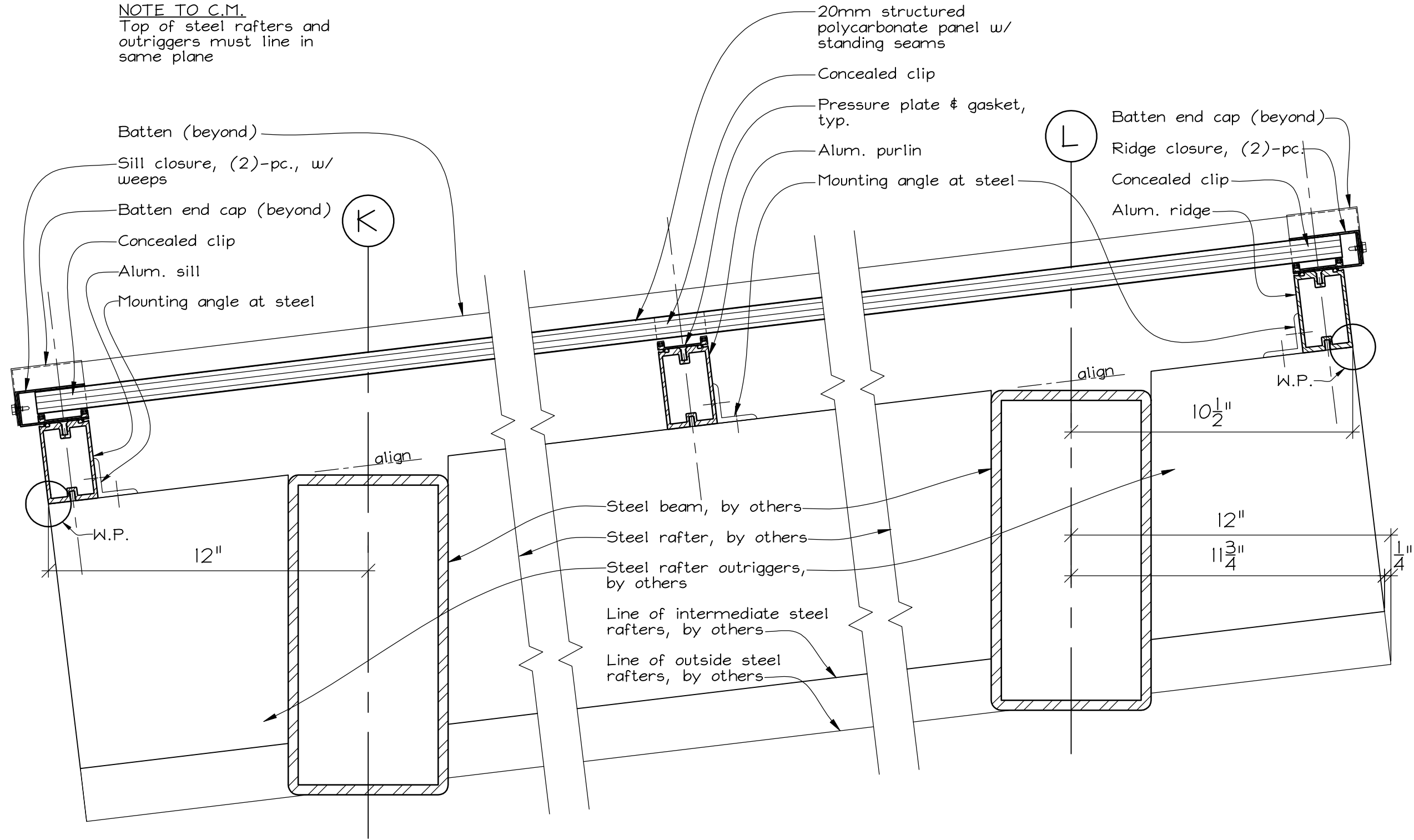
Manufacturer/Installer:
WISCONSIN SOLAR DESIGN
 6349 Briarcliff Ln., Middleton, WI 53562

Project:
 Clear Lake HS / ES Additions
 135 8th Avenue
 Clear Lake, WI 54005

Architect:
 HSR Associates, Inc.
 100 Milwaukee Street
 La Crosse, Wisconsin

6 of 8
 Issued:
 1/21/13

NOTE TO C.M.
 Top of steel rafters and outriggers must line in same plane



Ⓐ
 Sill
 Scale: 3"=1'-0"

Ⓑ
 Purlin
 Scale: 3"=1'-0"

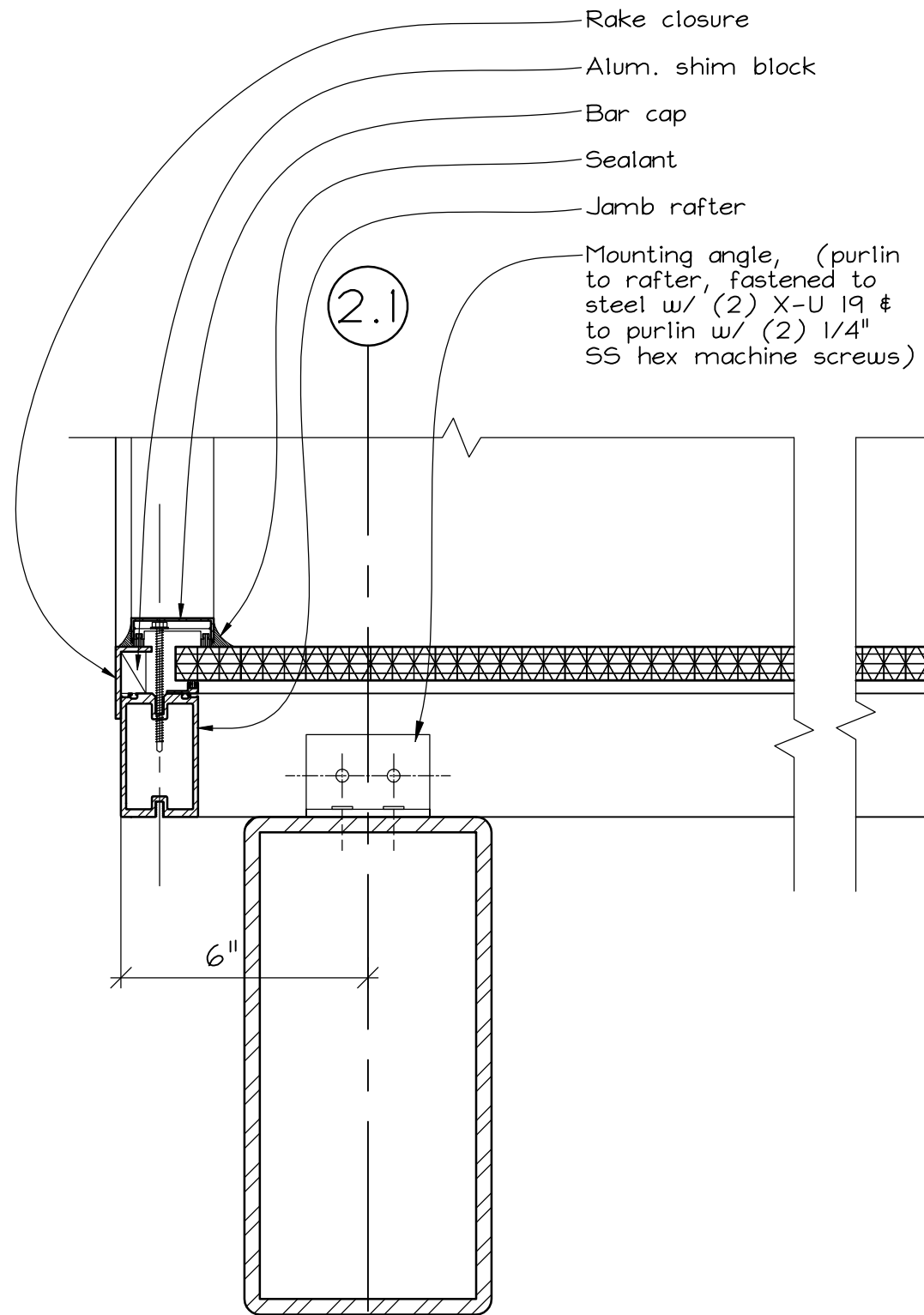
Ⓒ
 Ridge
 Scale: 3"=1'-0"

Manufacturer/Installer:
WISCONSIN SOLAR DESIGN
 6349 Briarcliff Ln., Middleton, WI 53562

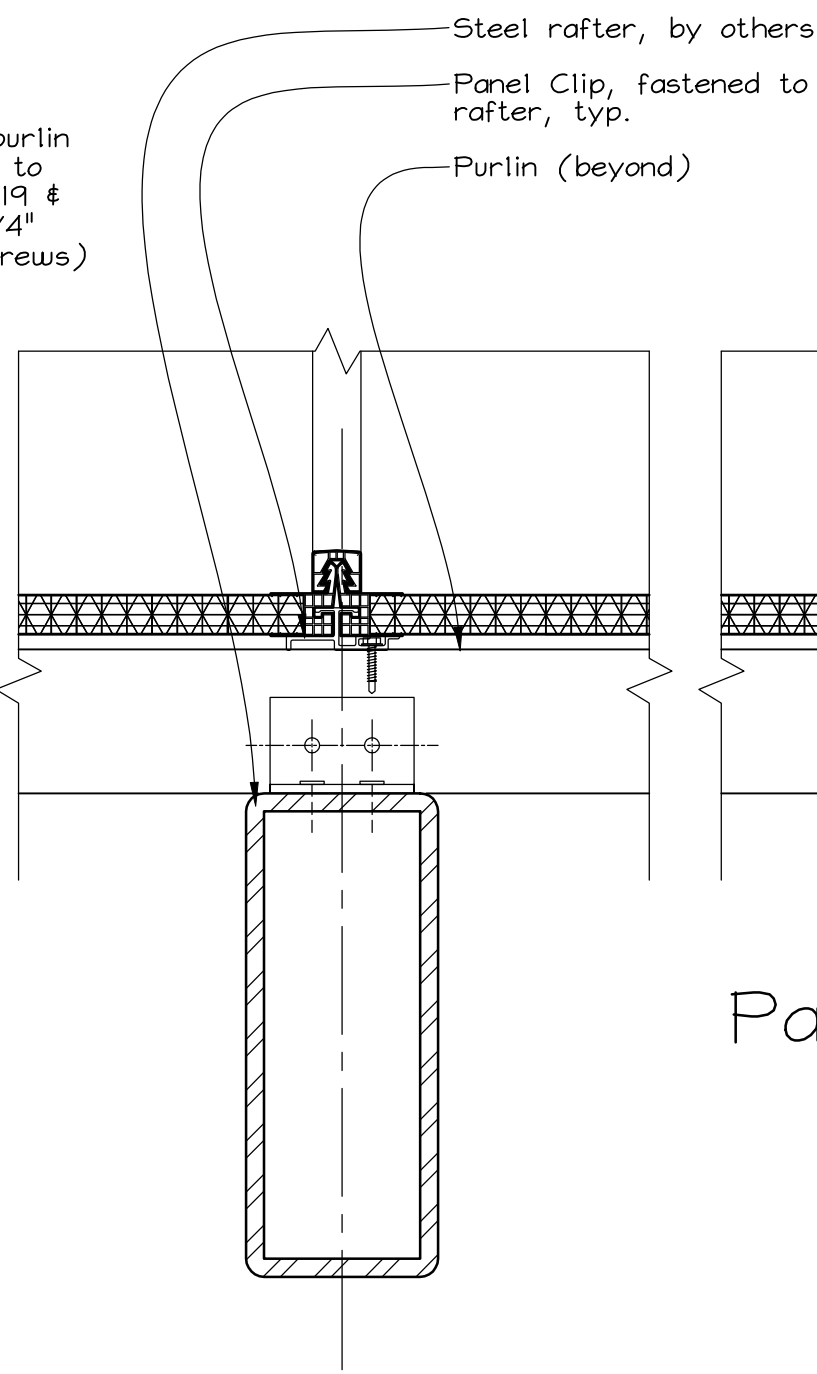
Project:
 Clear Lake HS / ES Additions
 135 8th Avenue
 Clear Lake, WI 54005

Architect:
 HSR Associates, Inc.
 100 Milwaukee Street
 La Crosse, Wisconsin

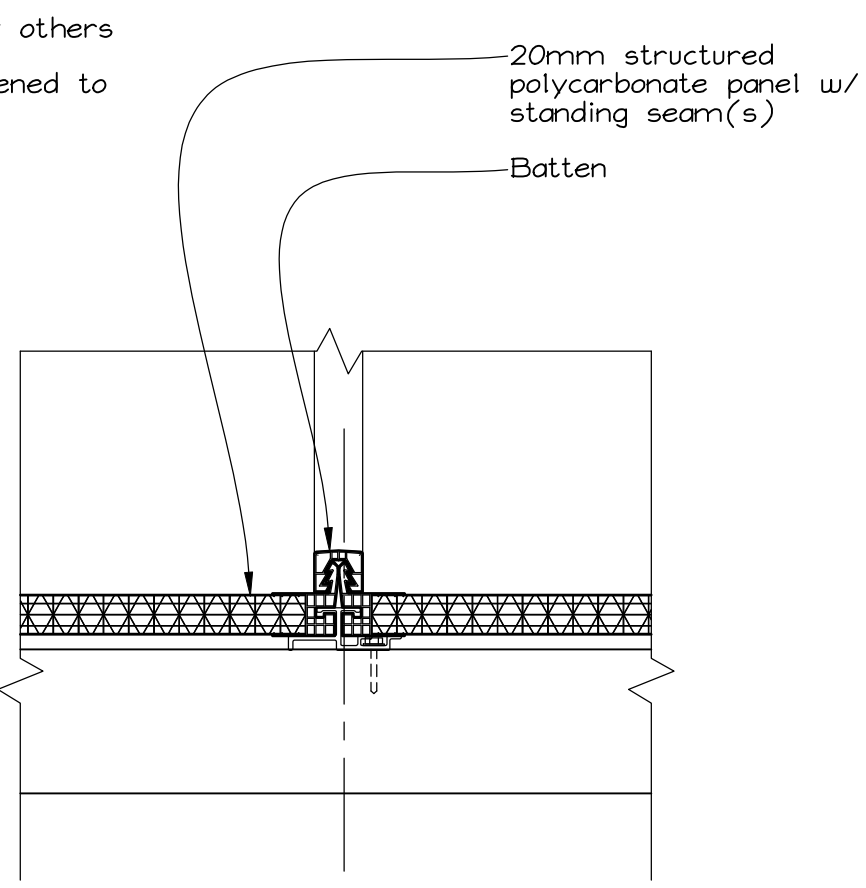
7 of 8
 Issued:
 1/21/13



(D)
Rake
Scale: 3"=1'-0"

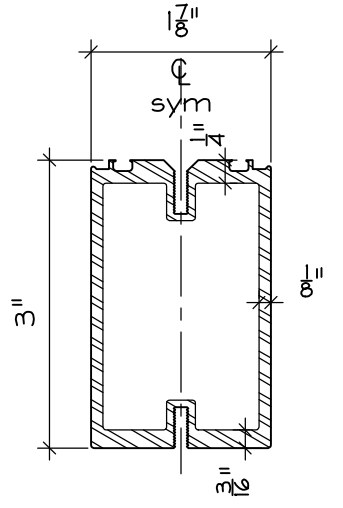


(E)
Rafter
Scale: 3"=1'-0"



(F)
Panels at purlin
Scale: 3"=1'-0"

Rafter Structural Properties	
Wgt/ft	= 1.762 #
A	= 3.77 in ²
Ix	= 1.832 in ⁴
Sx	= 1.218 in ³



(G)
Purlin Properties
Scale: 6"=1'-0"

2.1

Manufacturer/Installer:
WISCONSIN SOLAR DESIGN
6349 Briarcliff Ln., Middleton, WI 53562

Project:
Clear Lake HS / ES Additions
135 8th Avenue
Clear Lake, WI 54005

Architect:
HSR Associates, Inc.
100 Milwaukee Street
La Crosse, Wisconsin

8 of 8
Issued:
1/21/13