

Daly Student Center & MRLB-Connecting Canopy, IUPUI  
 Between 975-1001 West Walnut St., Indianapolis, IN 46202  
 Canopy Skylight Shop Drawings - Section 08 63 00

Manufacturer/Installer:  
**OWISCONSIN SOLAR DESIGN**  
 6349 Briarcliff Ln., Middleton, WI 53562

General Contractor:  
 Mattcon General Contractors  
 5460 W 84th Street  
 Indianapolis, IN 46268

Architect:  
 Arc Design  
 8 W. Louisiana St., Ste. A  
 Indianapolis, IN

INDEX

1. Title Page
2. Overall Canopy Plan
3. West Canopy Plan
4. East Canopy Plan
5. Canopy Elevations, Cross-Section
6. Canopy Cross-Section
7. Canopy Cross-Section
8. Canopy Details
9. Canopy Details
10. Canopy Details
11. Canopy Details, Analysis Data

ARCHITECT:

Arc Design  
 8 W. Louisiana St., Ste. A  
 Indianapolis, IN 46225

GENERAL CONTRACTOR:

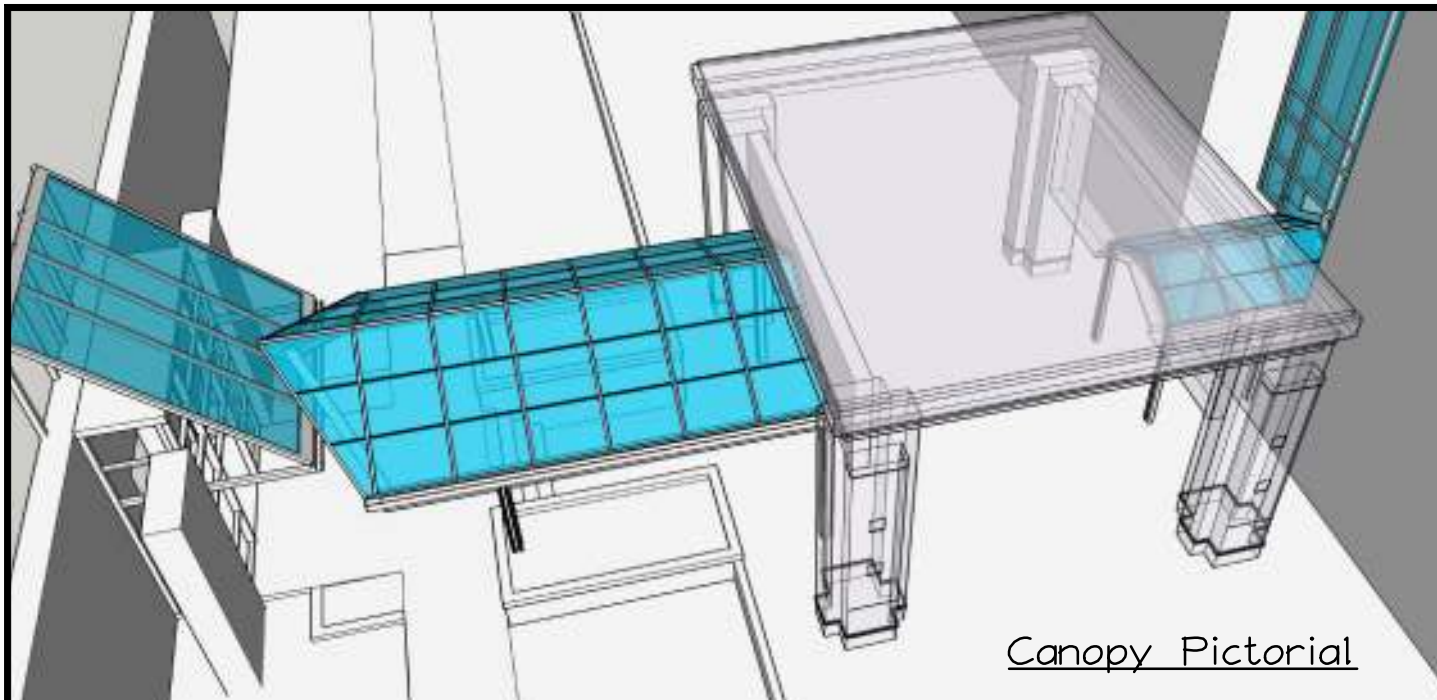
Mattcon General Contractors, Inc.  
 5460 W 84th Street  
 Indianapolis, IN 46268

PRODUCT DATA:

Product Manufacturer: Wisconsin Solar Design, Middleton, WI, approved per addendum #1.  
 Manufacturer's Certificate: Wisconsin Solar Design as manufacturer of the canopy certifies that the products supplied meet or exceed the specified requirements.  
 Glazing: Monolithic laminated glass consisting of (2) layers of 1/4" clear tempered glass w/ .060 PVB interlayer, 9/16" o.a..  
 Framework: Extruded aluminum frame and flashings with clear anodized finish. Color sample under separate cover. See note #1 below regarding gutter and downspout.  
 Warranty: (5) five years on material, workmanship and finish from date of substantial completion.  
 Design Loadings: See p. 11 for analysis data. Structural calculations submitted under separate cover.  
 Product Test Reports: Test results may be viewed at [www.wisconsinsolardesign.com/skylightspecs.html](http://www.wisconsinsolardesign.com/skylightspecs.html).  
 Installer's Qualification: Canopies will be installed by full-time WSD staff engineers who are certified by the manufacturer.

NOTES

1. WSD suggests clear anodized extruded aluminum for gutters and downspouts to match canopy in lieu of painted brake-metal. Architect please confirm.
2. WSD suggests installing new barcap and jamb flashing over existing glass in lieu of new dividing mullion and glass. See details E, H page 9 and 10. Architect please confirm, page 10.



DRAWING APPROVAL:

We have reviewed these drawings and approve their use for construction of the canopy. Any comments or suggestions have been added to the drawings.

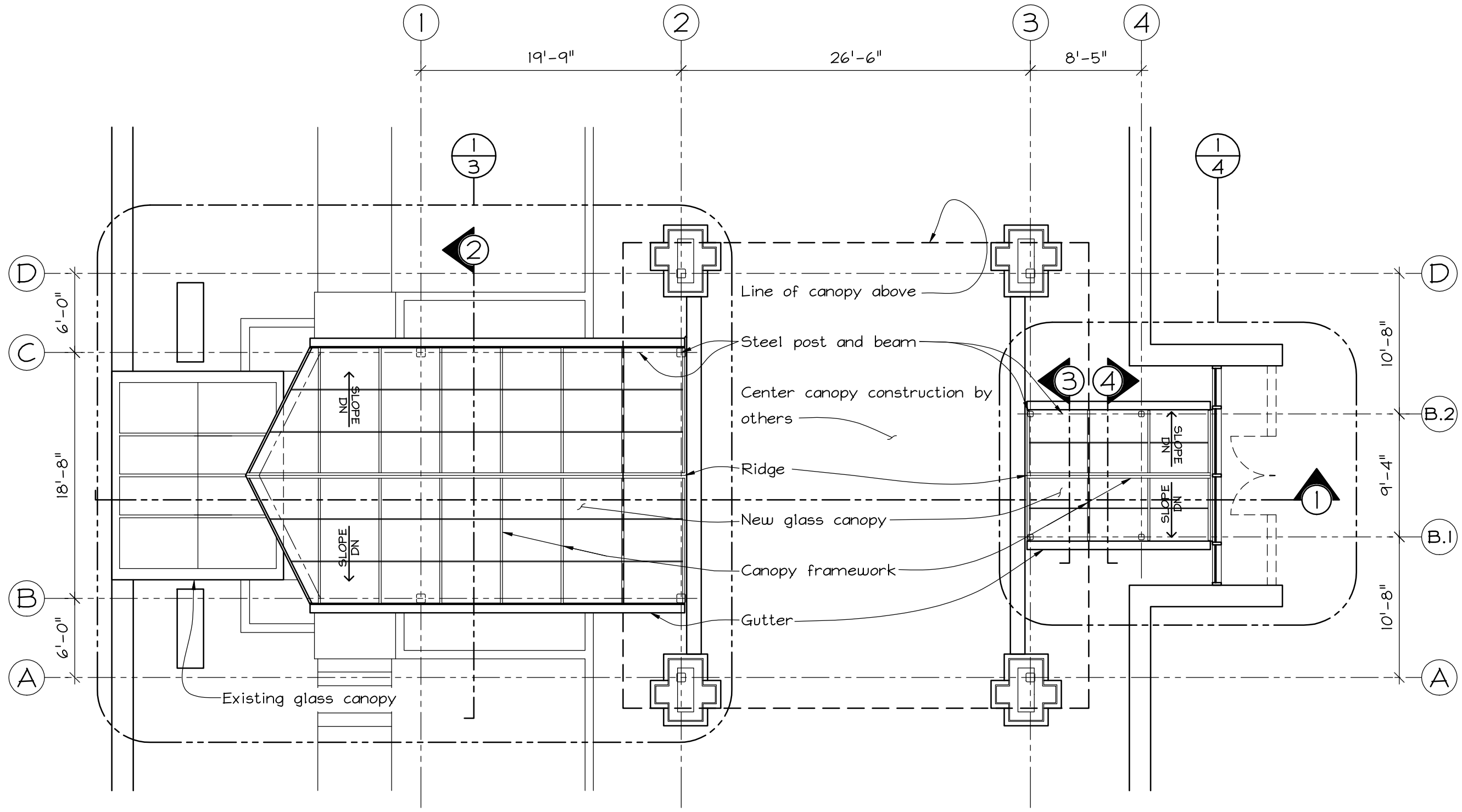
Architect:  
 Arc Design

name \_\_\_\_\_ date \_\_\_\_\_

General Contractor:  
 Mattcon General Contractors, Inc.

name \_\_\_\_\_ date \_\_\_\_\_

Canopy Pictorial



Overall Canopy Plan  
 scale: 1/8" = 1'-0"

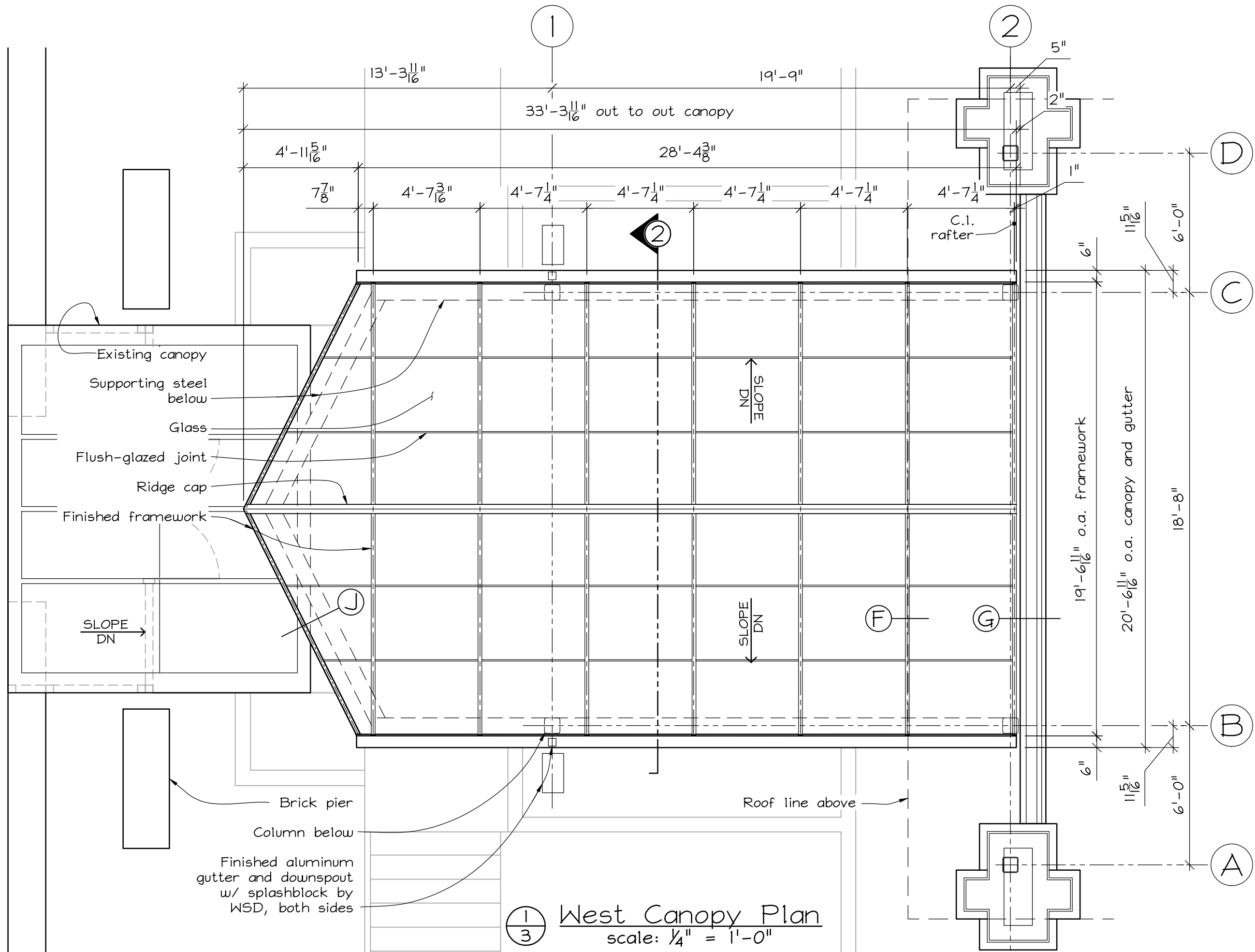


Manufacturer/Installer:  
**WISCONSIN SOLAR DESIGN**  
 6349 Briarcliff Ln., Middleton, WI 53562

General Contractor:  
 Mattcon General Contractors  
 5460 W 84th Street  
 Indianapolis, IN 46268

Architect:  
 Arc Design  
 8 W. Louisiana St., Ste. A  
 Indianapolis, IN

2 of 11  
 Issued:  
 3/14/12



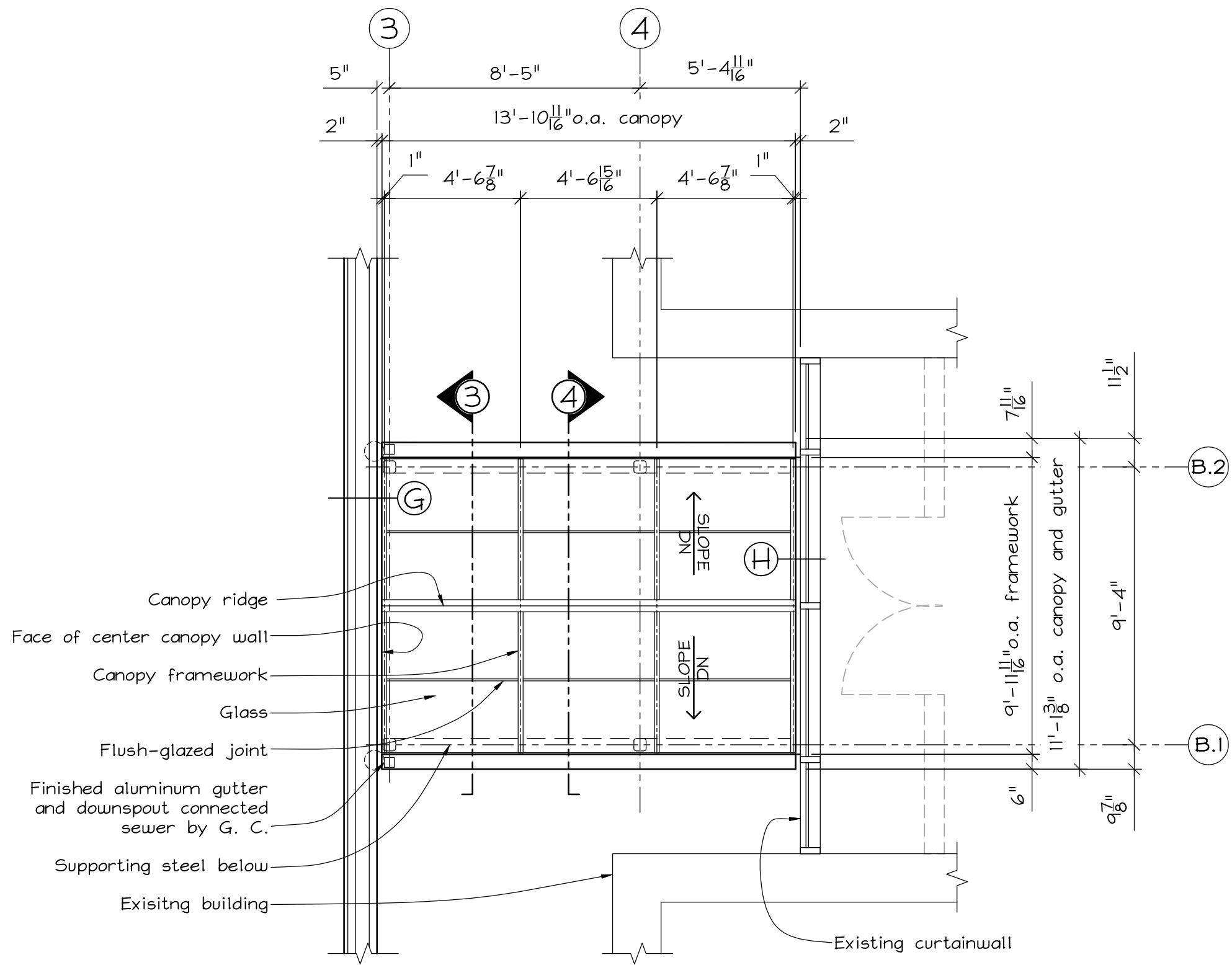
①  
3 West Canopy Plan  
scale: 1/4" = 1'-0"

Manufacturer/Installer:  
**WISCONSIN SOLAR DESIGN**  
 6349 Briarcliff Ln., Middleton, WI 53562

General Contractor:  
 Mattcon General Contractors  
 5460 W 84th Street  
 Indianapolis, IN 46268

Architect:  
 Arc Design  
 8 W. Louisiana St., Ste. A  
 Indianapolis, IN

3 of 11  
 Issued:  
 3/14/12



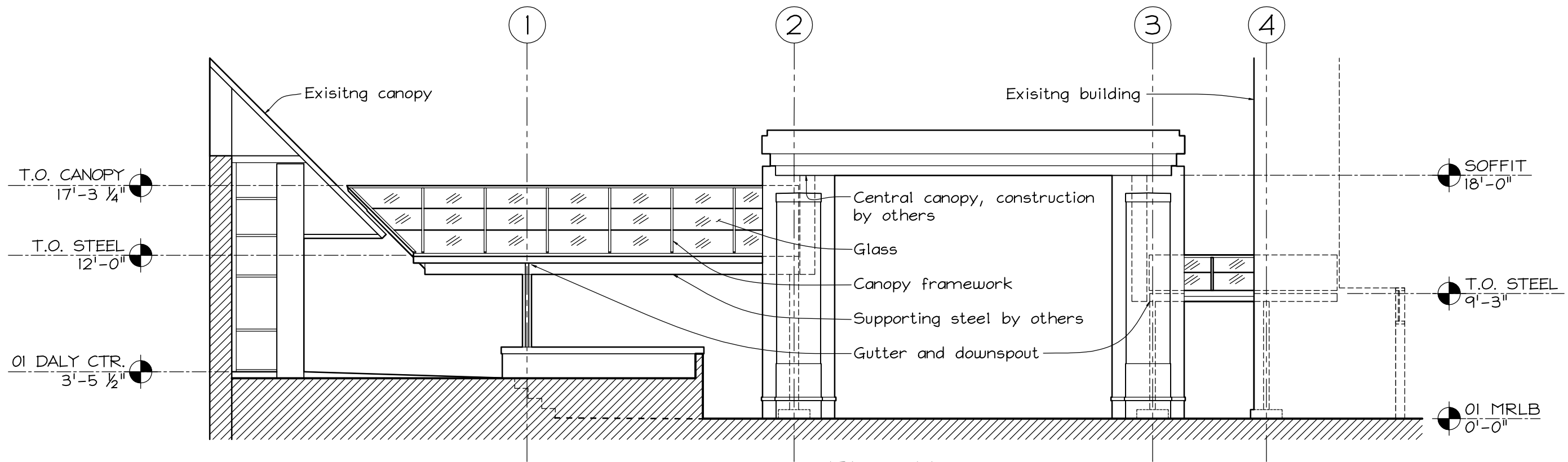
①  
④ East Canopy Plan  
scale: 1/4" = 1'-0"

Manufacturer/Installer:  
**WISCONSIN SOLAR DESIGN**  
 6349 Briarcliff Ln., Middleton, WI 53562

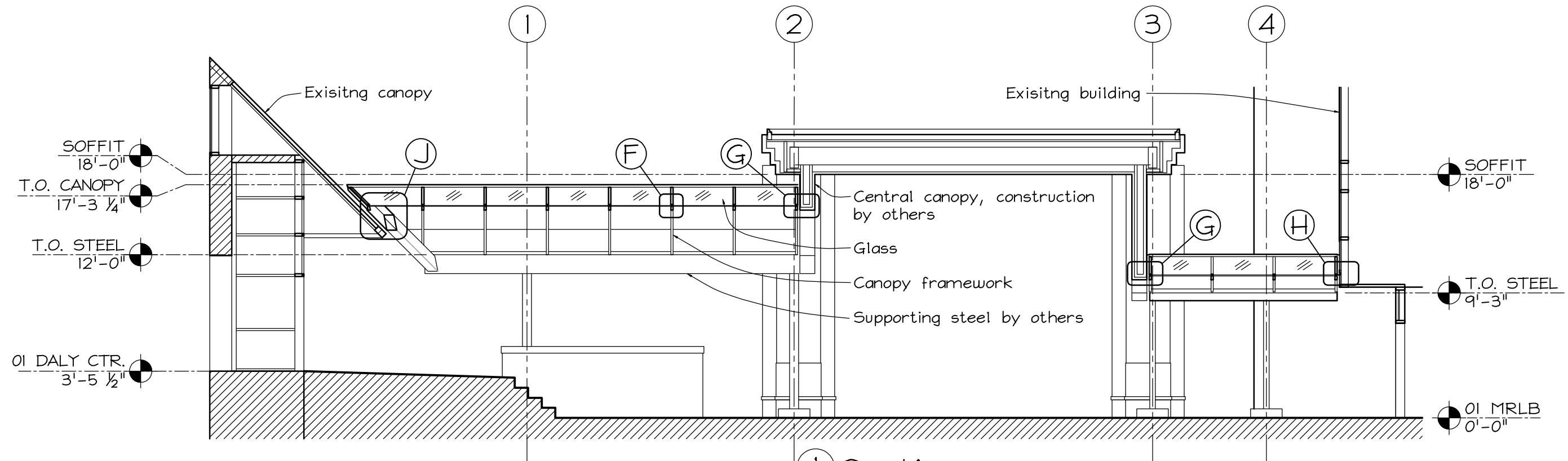
General Contractor:  
 Mattcon General Contractors  
 5460 W 84th Street  
 Indianapolis, IN 46268

Architect:  
 Arc Design  
 8 W. Louisiana St., Ste. A  
 Indianapolis, IN

4 of 11  
 Issued:  
 3/14/12



Elevation  
scale:  $\frac{1}{8}'' = 1'-0''$



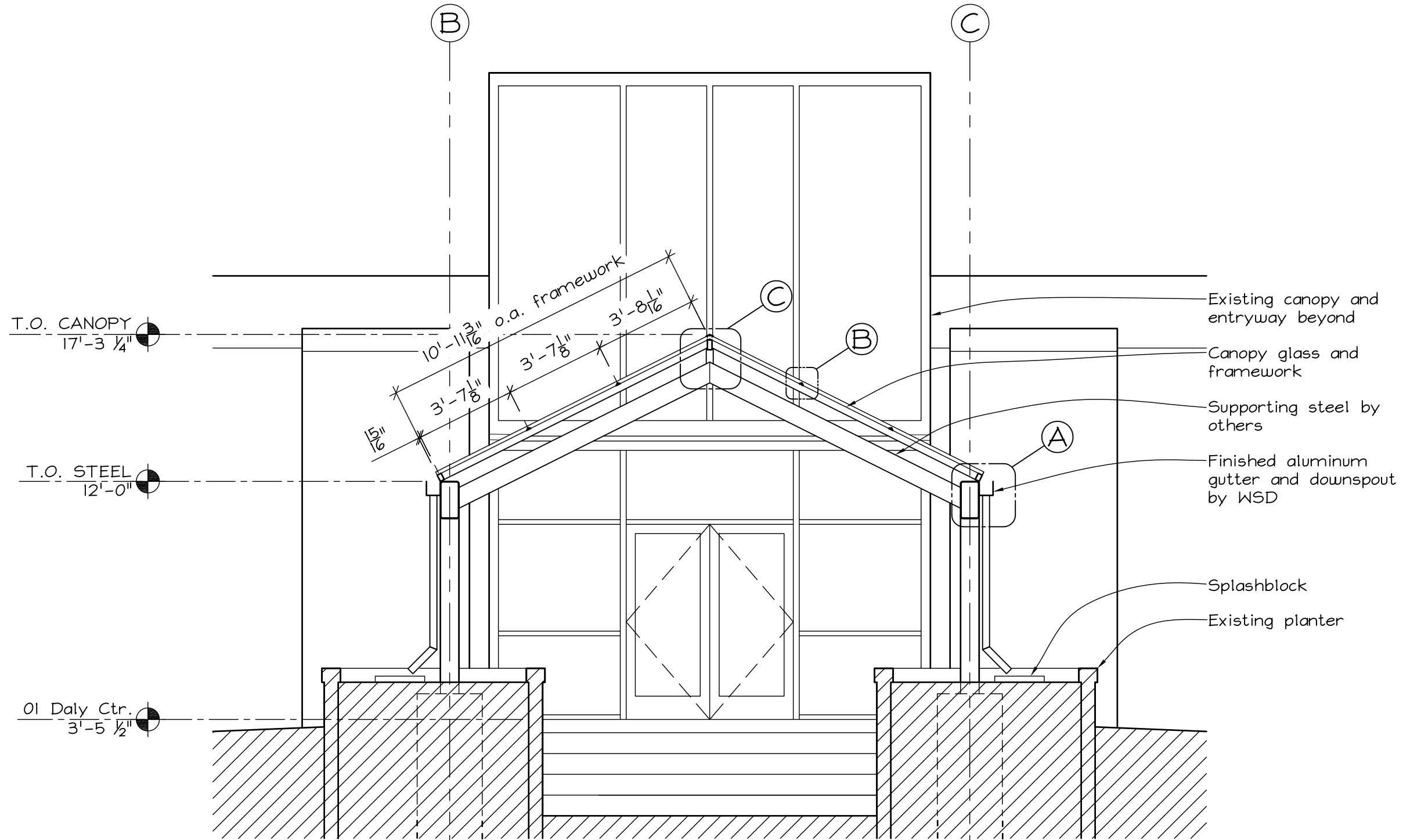
Section  
scale:  $\frac{1}{8}'' = 1'-0''$

Manufacturer/Installer:  
**WISCONSIN SOLAR DESIGN**  
 6349 Briarcliff Ln., Middleton, WI 53562

General Contractor:  
 Mattcon General Contractors  
 5460 W 84th Street  
 Indianapolis, IN 46268

Architect:  
 Arc Design  
 8 W. Louisiana St., Ste. A  
 Indianapolis, IN

5 of 11  
 Issued:  
 3/14/12



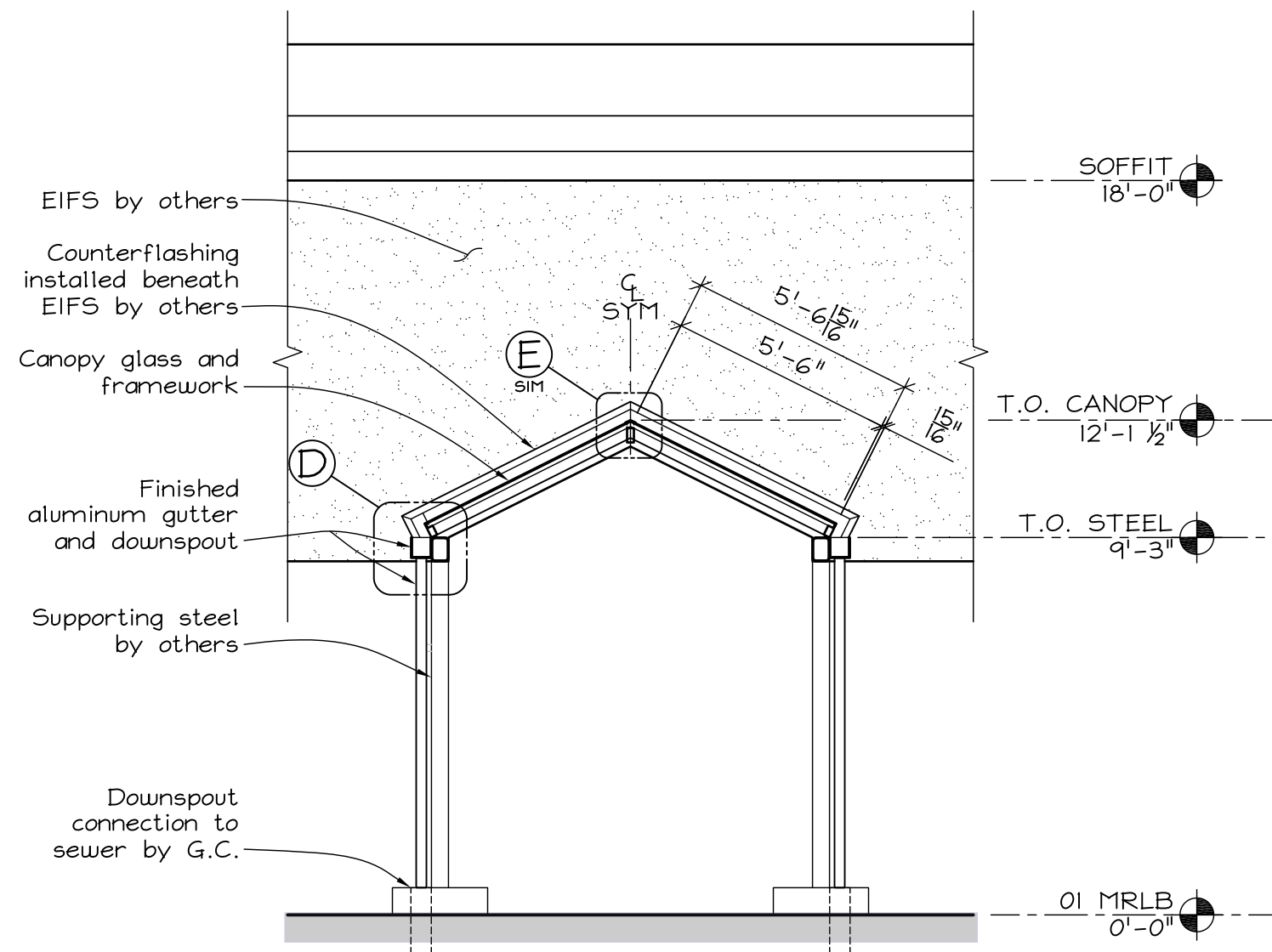
② West Canopy Section  
 scale: 1/4" = 1'-0"

Manufacturer/Installer:  
**WISCONSIN SOLAR DESIGN**  
 6349 Briarcliff Ln., Middleton, WI 53562

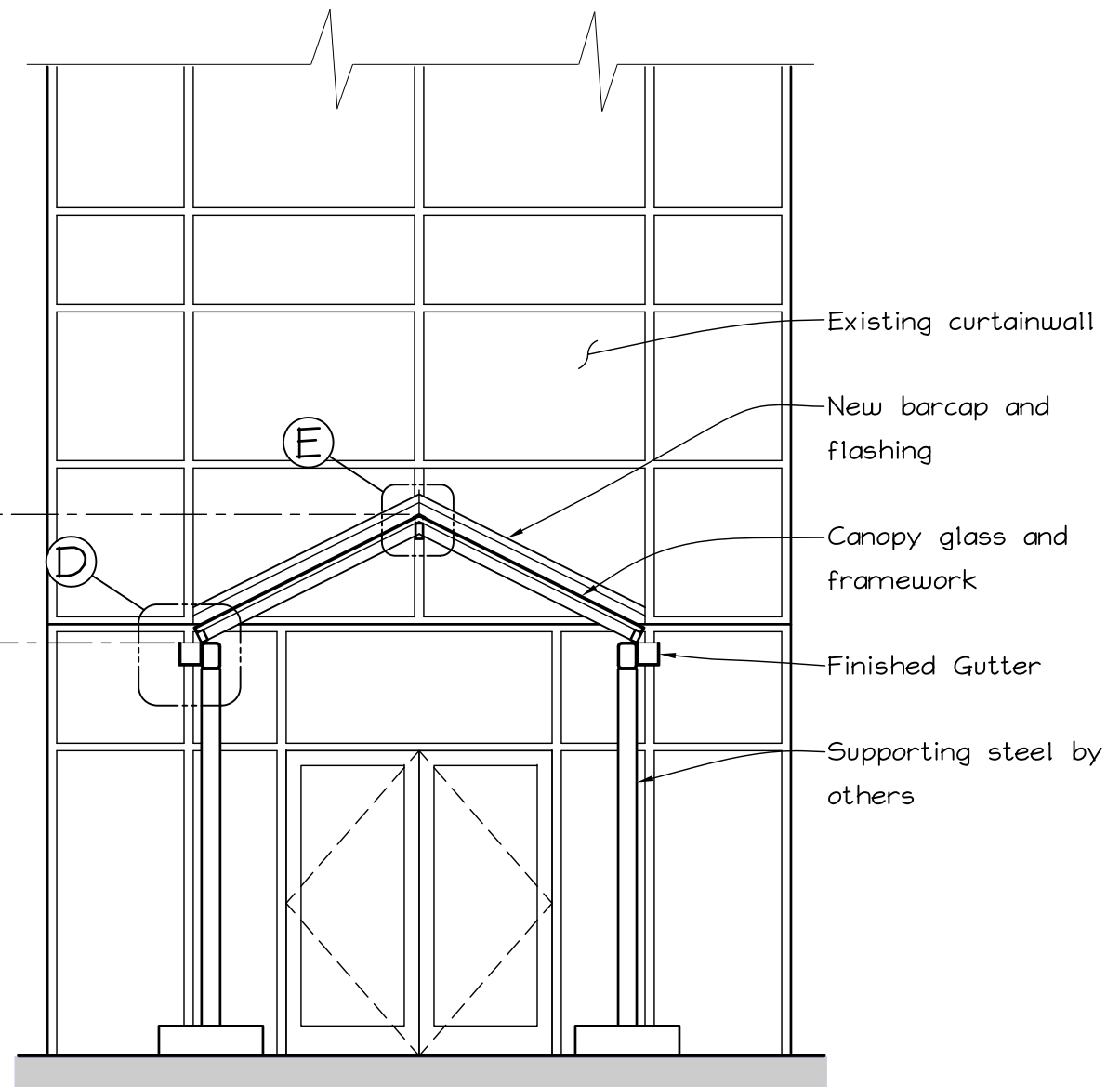
General Contractor:  
 Mattcon General Contractors  
 5460 W 84th Street  
 Indianapolis, IN 46268

Architect:  
 Arc Design  
 8 W. Louisiana St., Ste. A  
 Indianapolis, IN

6 of 11  
 Issued:  
 3/14/12



③ East Canopy Section  
 scale:  $\frac{1}{4}'' = 1'-0''$   
 Similar construction occurs between the center canopy and west glass canopy.



④ East Canopy Section  
 scale:  $\frac{1}{4}'' = 1'-0''$

Manufacturer/Installer:  
**WISCONSIN SOLAR DESIGN**  
 6349 Briarcliff Ln., Middleton, WI 53562

General Contractor:  
 Mattcon General Contractors  
 5460 W 84th Street  
 Indianapolis, IN 46268

Architect:  
 Arc Design  
 8 W. Louisiana St., Ste. A  
 Indianapolis, IN

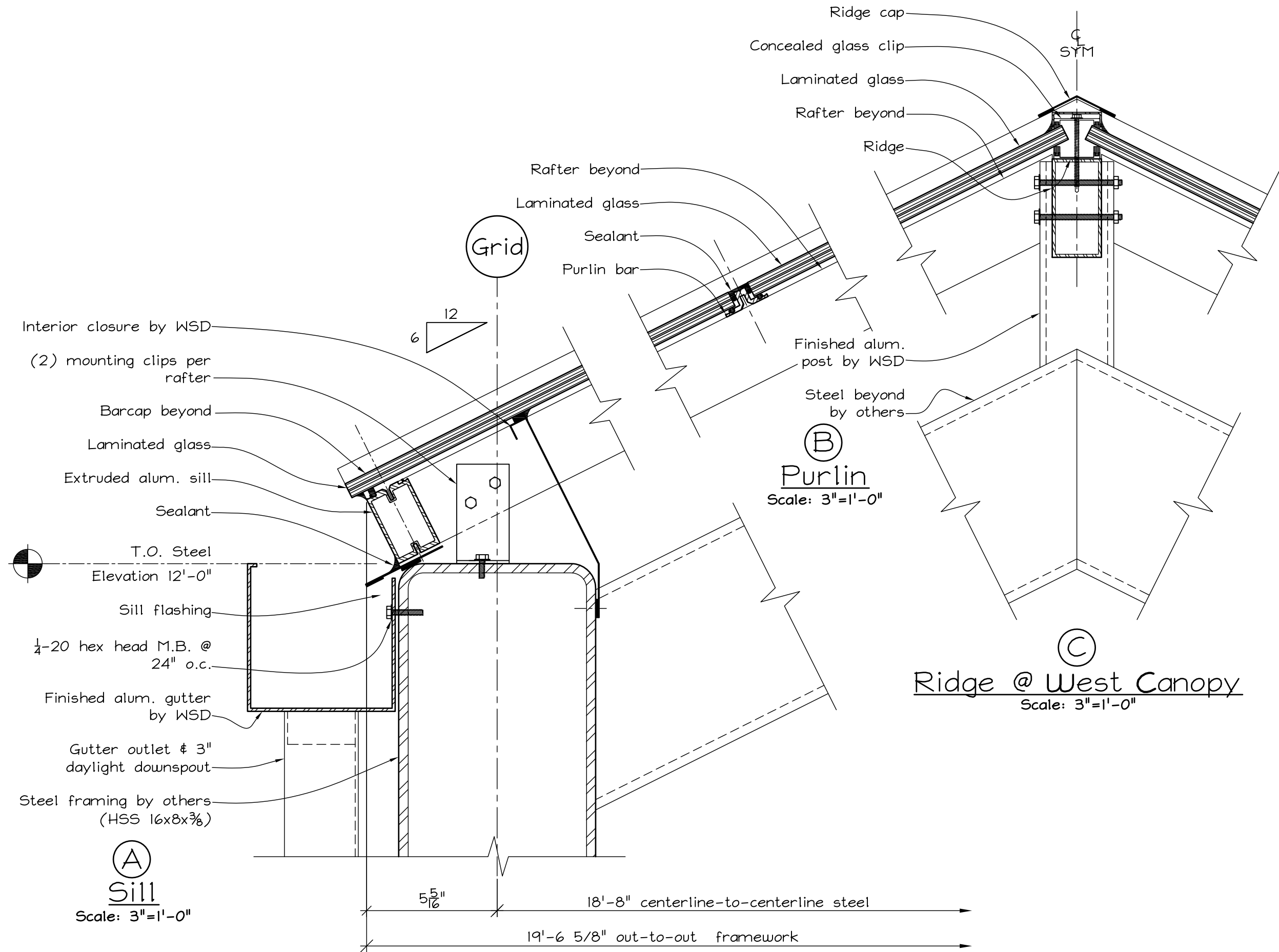
7 of 11  
 Issued:  
 3/14/12

Manufacturer/Installer:  
**WISCONSIN SOLAR DESIGN**  
 6349 Briarcliff Ln., Middleton, WI 53562

General Contractor:  
 Mattcon General Contractors  
 5460 W 84th Street  
 Indianapolis, IN 46268

Architect:  
 Arc Design  
 8 W. Louisiana St., Ste. A  
 Indianapolis, IN

8 of 11  
 Issued:  
 3/14/12



Interior closure by WSD  
 (2) mounting clips per rafter  
 Barcap beyond  
 Laminated glass  
 Extruded alum. sill  
 Sealant  
 T.O. Steel  
 Elevation 12'-0"  
 Sill flashing  
 1/4"-20 hex head M.B. @ 24" o.c.  
 Finished alum. gutter by WSD  
 Gutter outlet & 3" daylight downspout  
 Steel framing by others (HSS 16x8x3/8)

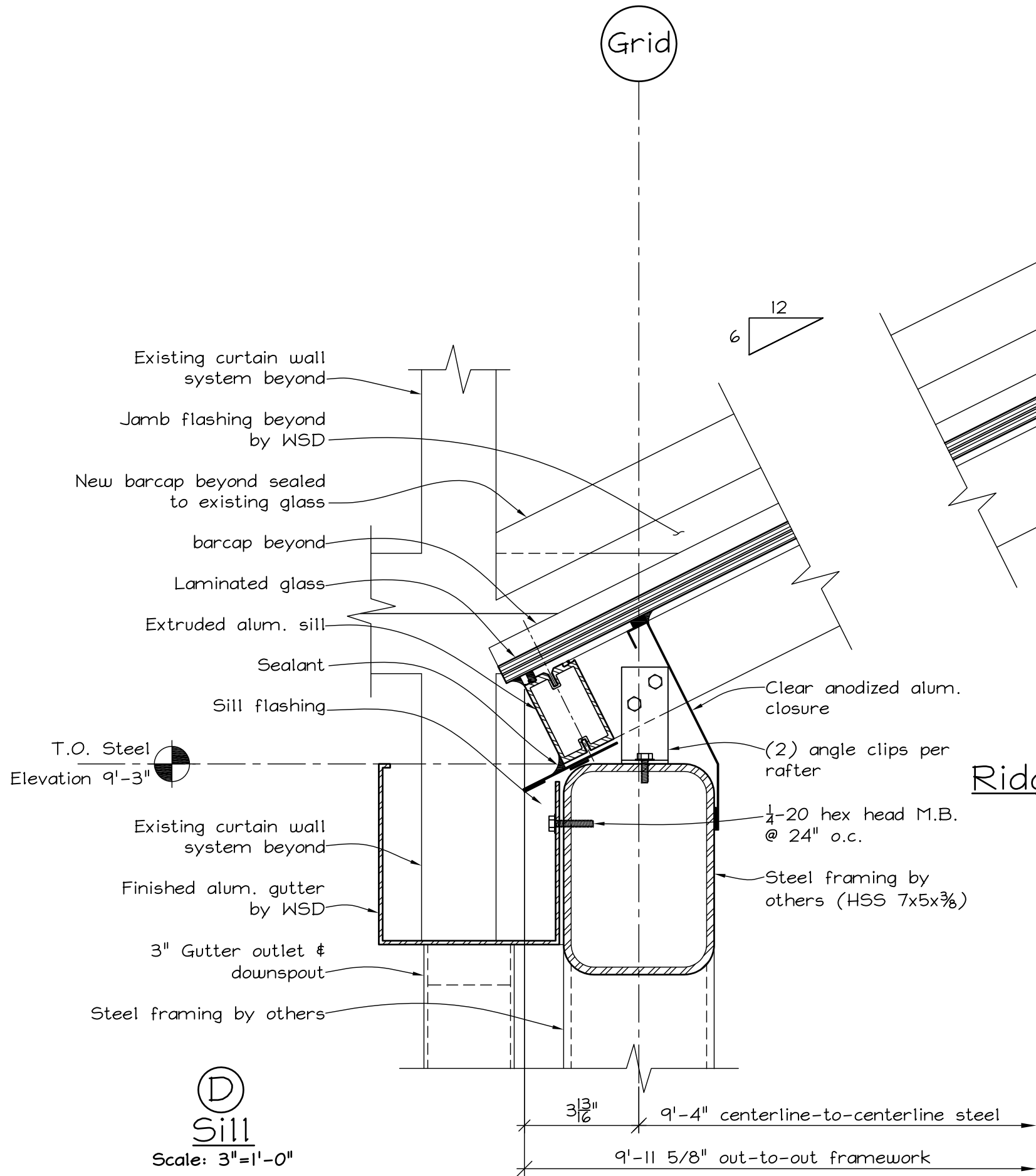
**(A)**  
**Sill**  
 Scale: 3"=1'-0"

**(B)**  
**Purlin**  
 Scale: 3"=1'-0"

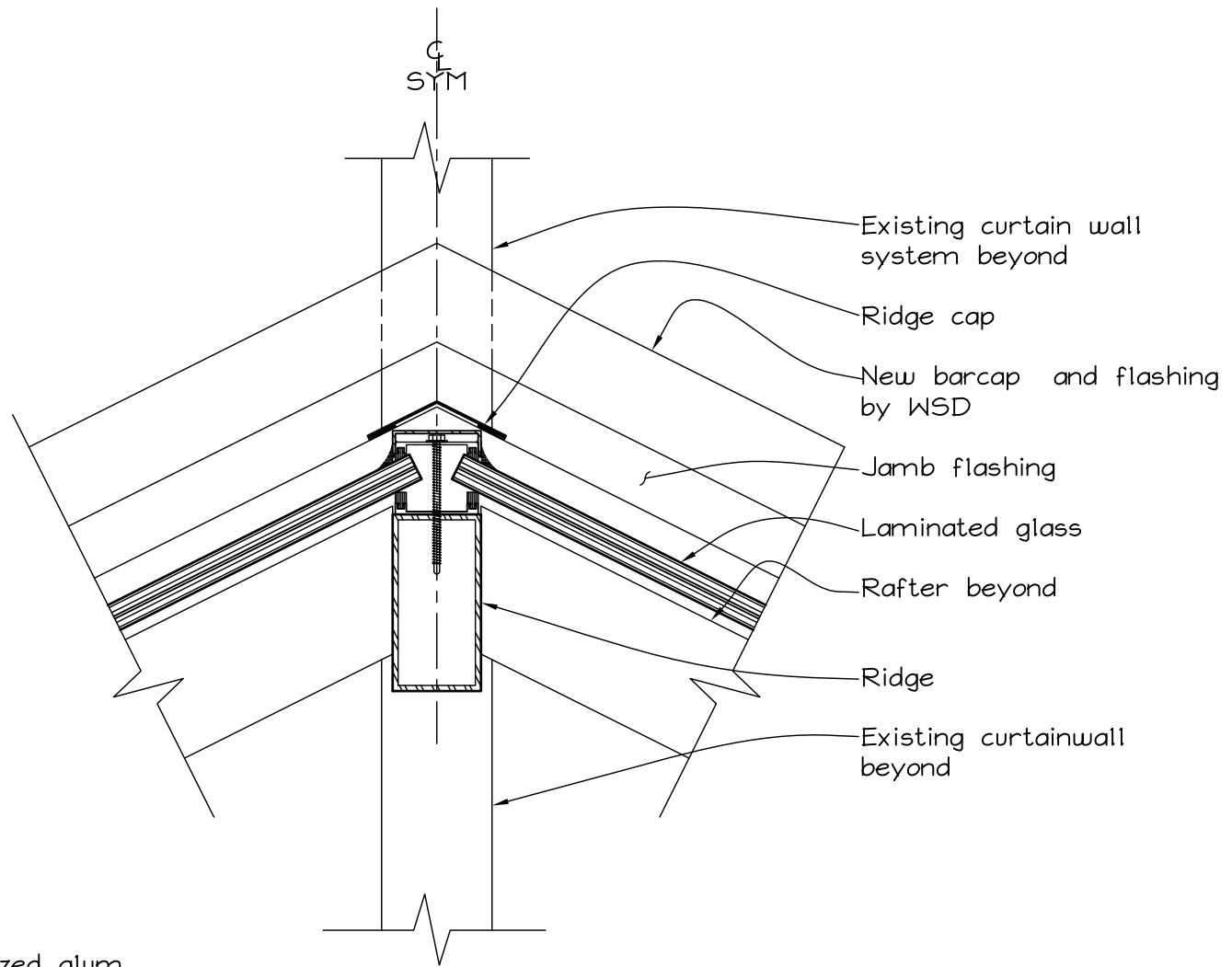
**(C)**  
**Ridge @ West Canopy**  
 Scale: 3"=1'-0"

5 5/16"      18'-8" centerline-to-centerline steel  
 19'-6 5/8" out-to-out framework





(D)  
 Sill  
 Scale: 3"=1'-0"



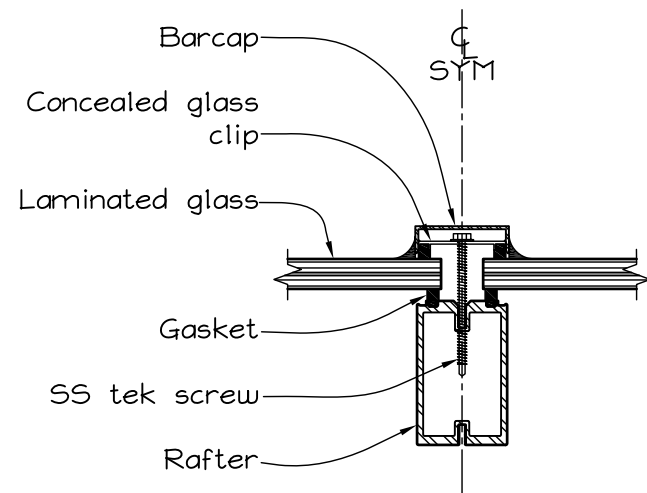
(E)  
 Ridge @ East Canopy  
 Scale: 3"=1'-0"

Manufacturer/Installer:  
**WISCONSIN SOLAR DESIGN**  
 6349 Briarcliff Ln., Middleton, WI 53562

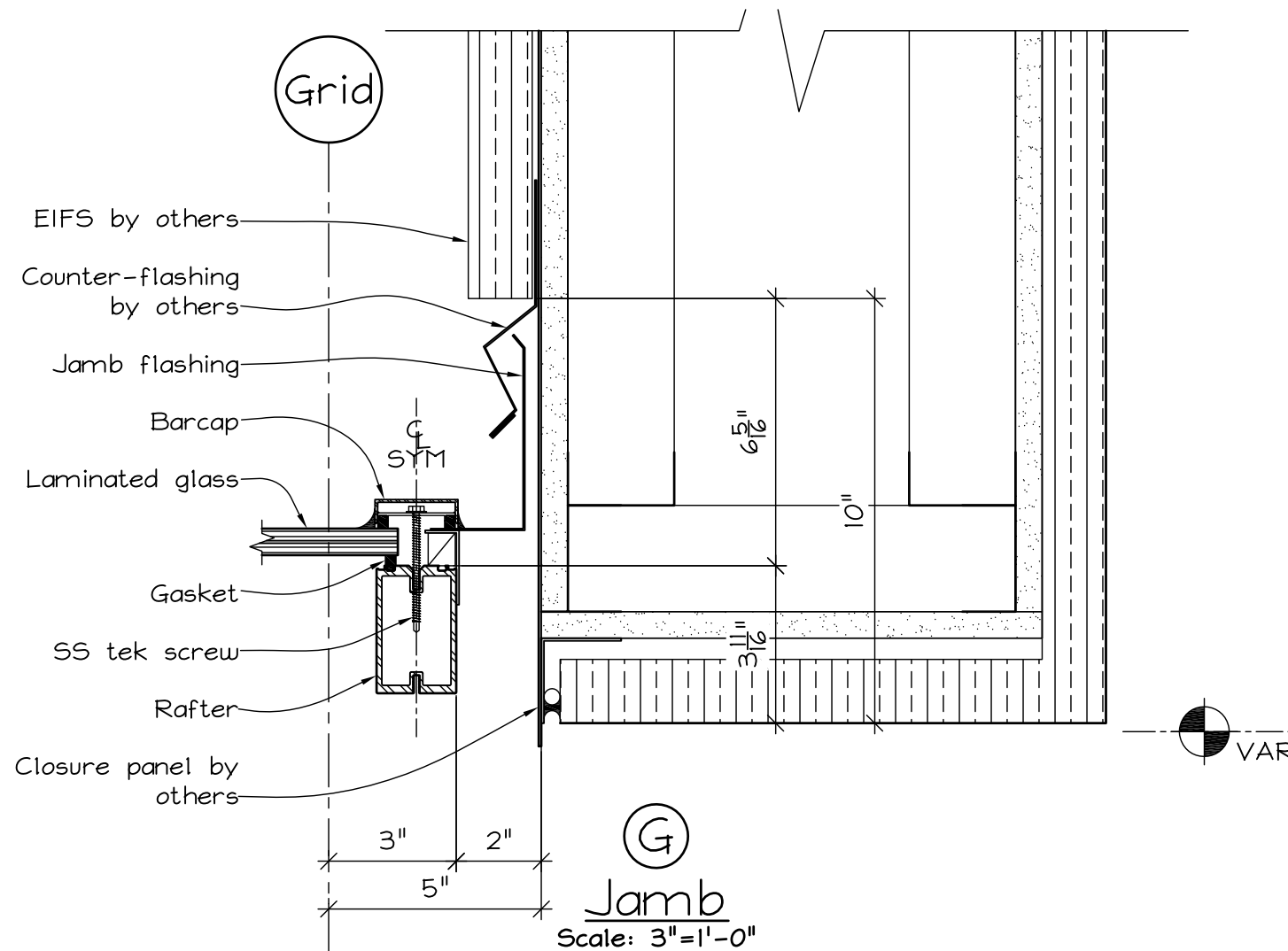
General Contractor:  
 Mattcon General Contractors  
 5460 W 84th Street  
 Indianapolis, IN 46268

Architect:  
 Arc Design  
 8 W. Louisiana St., Ste. A  
 Indianapolis, IN

9 of 11  
 Issued:  
 3/14/12

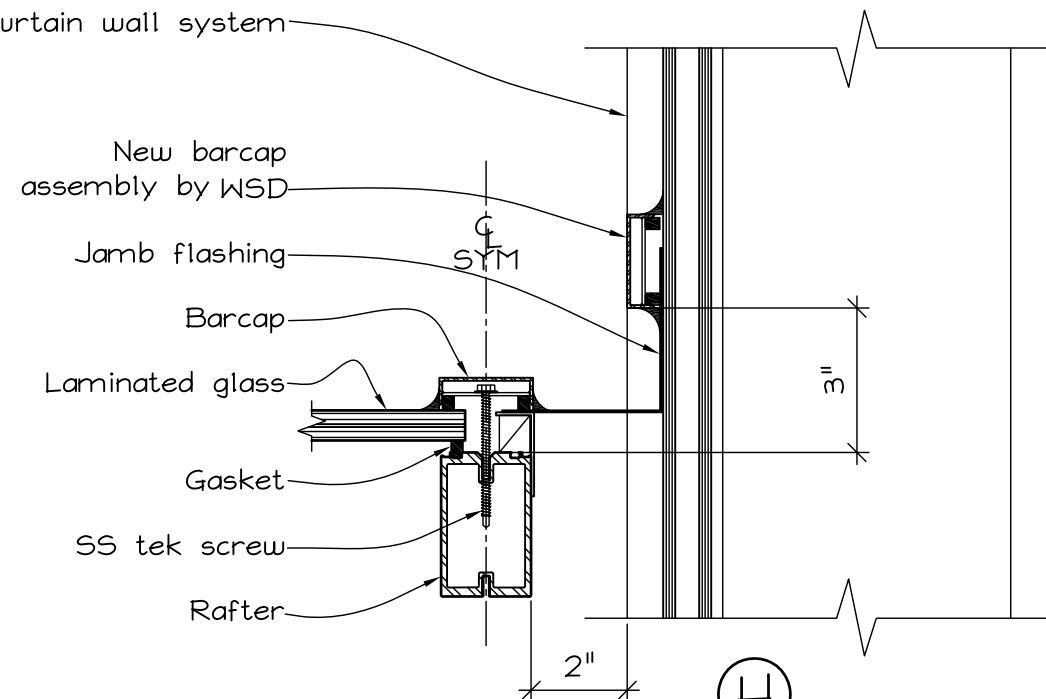


(F)  
Rafter  
Scale: 3"=1'-0"



(G)  
Jamb  
Scale: 3"=1'-0"

Existing curtain wall system



(H)  
Jamb  
Scale: 3"=1'-0"

Architect Please Note:  
WSD proposes securing and sealing a new barcap and sealing a new barcap to the existing spandrel glass and mullions.

Architect please confirm:

Initial \_\_\_\_\_ Date \_\_\_\_\_

Manufacturer/Installer:  
**WISCONSIN SOLAR DESIGN**  
6349 Briarcliff Ln., Middleton, WI 53562

General Contractor:  
Mattcon General Contractors  
5460 W 84th Street  
Indianapolis, IN 46268

Architect:  
Arc Design  
8 W. Louisiana St., Ste. A  
Indianapolis, IN

10 of 11  
Issued:  
3/14/12

**DESIGN ANALYSIS DATA:**

Snow Load

Ground Snow Load, $P_g$	20 psf
Flat Roof Snow Load, $P_f$	22 psf
Snow Exposure Factor, $C_e$	1.0
Occupancy Category	Category II
Importance Factor, $I$	1.1
Thermal Factor, $C_t$	1.0

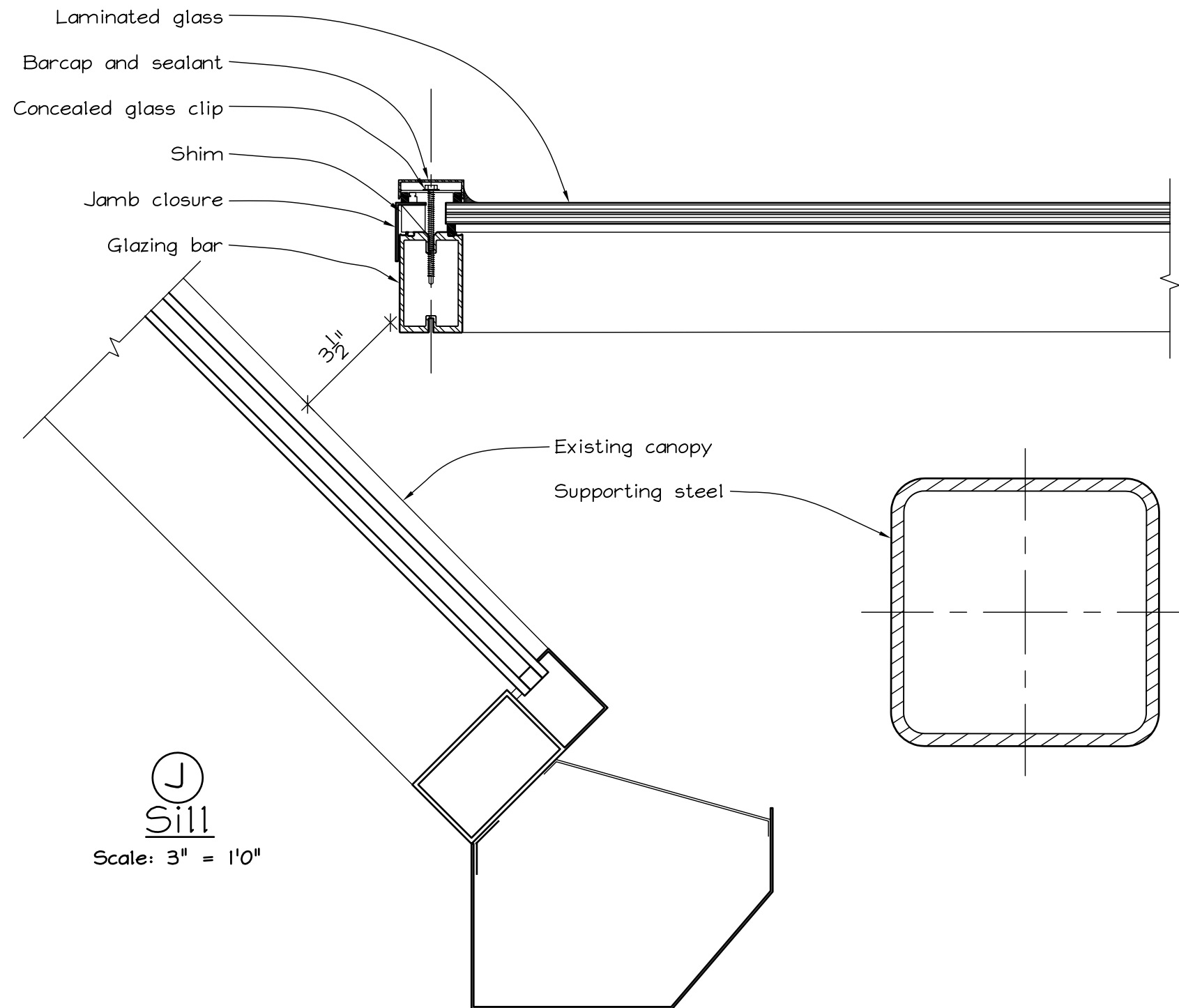
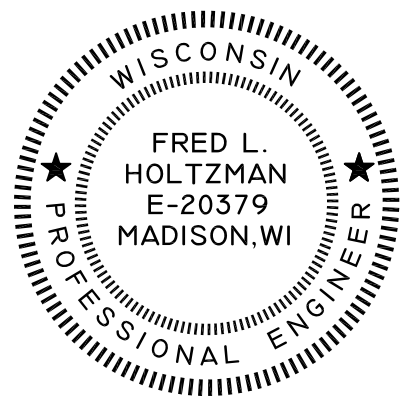
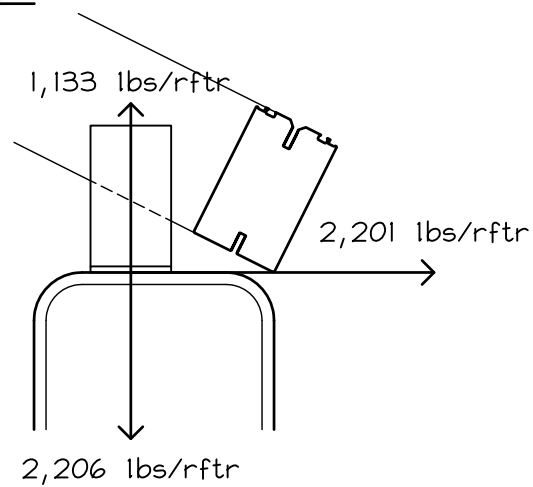
Minimum Roof Live Load 20 psf

Wind Load

Basic Wind Speed	90 MPH
Wind Exposure Factor	B
Importance Factor, $I_w$	1.15
Internal Pressure Coef., $G_{Cpi}$	+/-0.18

Structural calculations submitted under separate cover.

Typical working loads to be resisted at each rafter:



Manufacturer/Installer:  
**WISCONSIN SOLAR DESIGN**  
 6349 Briarcliff Ln., Middleton, WI 53562

General Contractor:  
 Mattcon General Contractors  
 5460 W 84th Street  
 Indianapolis, IN 46268

Architect:  
 Arc Design  
 8 W. Louisiana St., Ste. A  
 Indianapolis, IN

11 of 11  
 Issued:  
 3/14/12