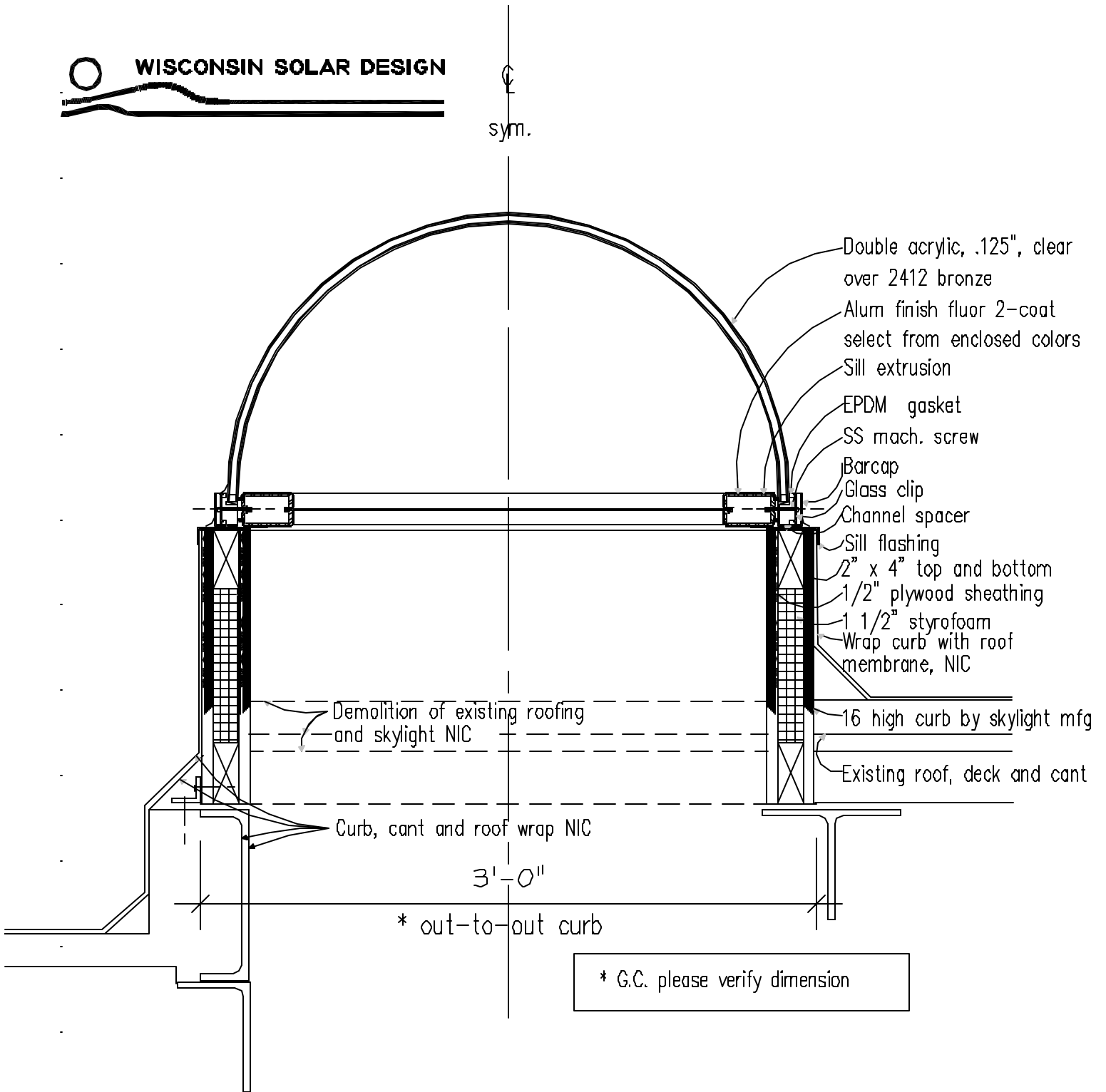


## Endwall Elevation

scale: 1" = 1'-0"

two thus

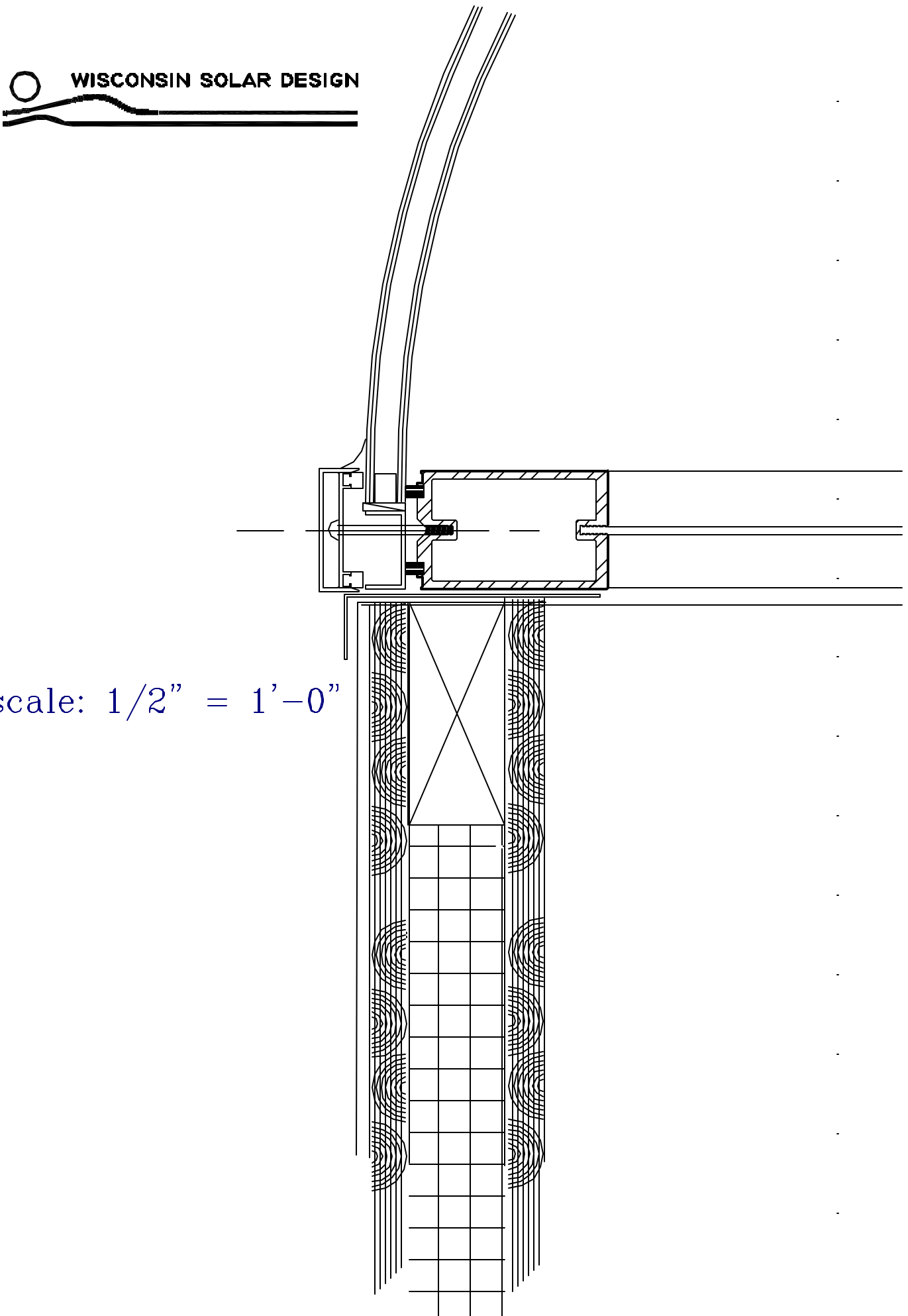
sym.



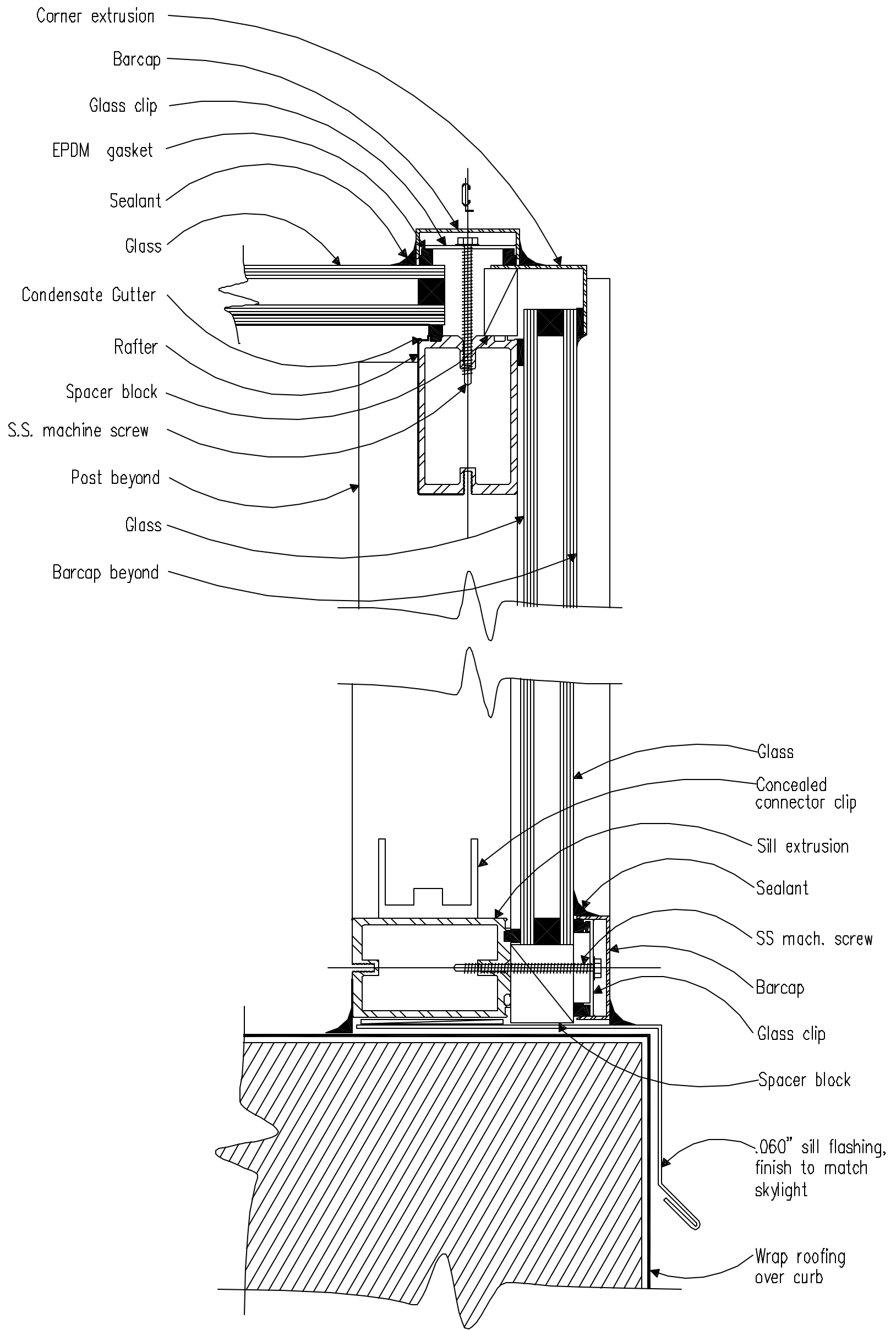
## Cross-section

scale: 1 1/2" = 1'-0"

WISCONSIN SOLAR DESIGN



scale: 1/2" = 1'-0"



(B)

**Endwall**

half scale