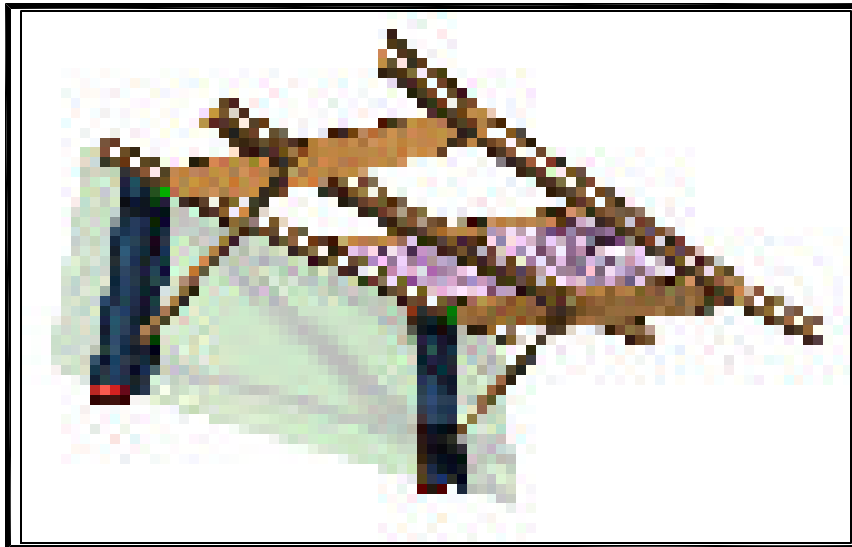


# Loras College Academic Resource Center

## Canopy Shop Drawings

Subcontractor:  
**WISCONSIN SOLAR DESIGN**  
 6349 Briarcliff Ln., Middleton, WI 53562



Owner:  
 Loras College  
 450 Alta Vista  
 Dubuque, IA 52001

Architect:  
 Holabird & Root  
 300 West Adams  
 Chicago, IL 60606

General Contractor:  
 Conlon Construction Co.  
 1100 Rockdale Rd.  
 Dubuque, IA 52003

### INDEX


1 title sheet    2 canopy plan  
 3 enlarged partial plan    4 cross-section  
 5 details    6 details

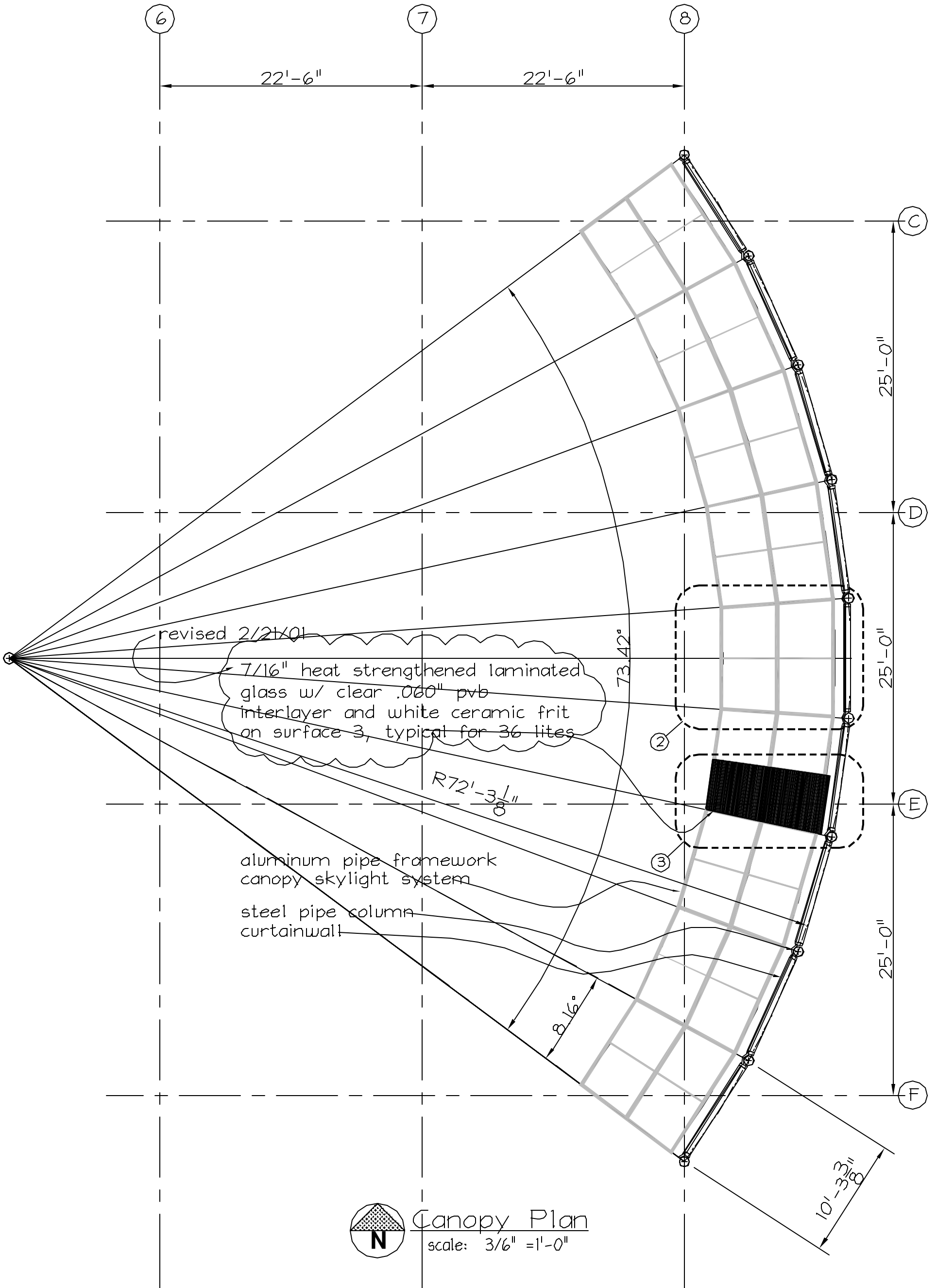
DRAWING APPROVAL: We have reviewed these drawings and approve their use for construction of the canopy skylight. Any comments or suggestions have been added to the drawings.

General Contractor:  
 Conlon Construction Co.  
 name \_\_\_\_\_  
 title \_\_\_\_\_  
 date \_\_\_\_\_

Architect:  
 Holabird & Root  
 name \_\_\_\_\_  
 title \_\_\_\_\_  
 date \_\_\_\_\_

Project:  
 Loras College  
 450 Alta Vista  
 Dubuque, IA 52001

1 of 6  
 Issued:  
 1/9/01  
 revised 2/22/01  
 revised 3/28/01

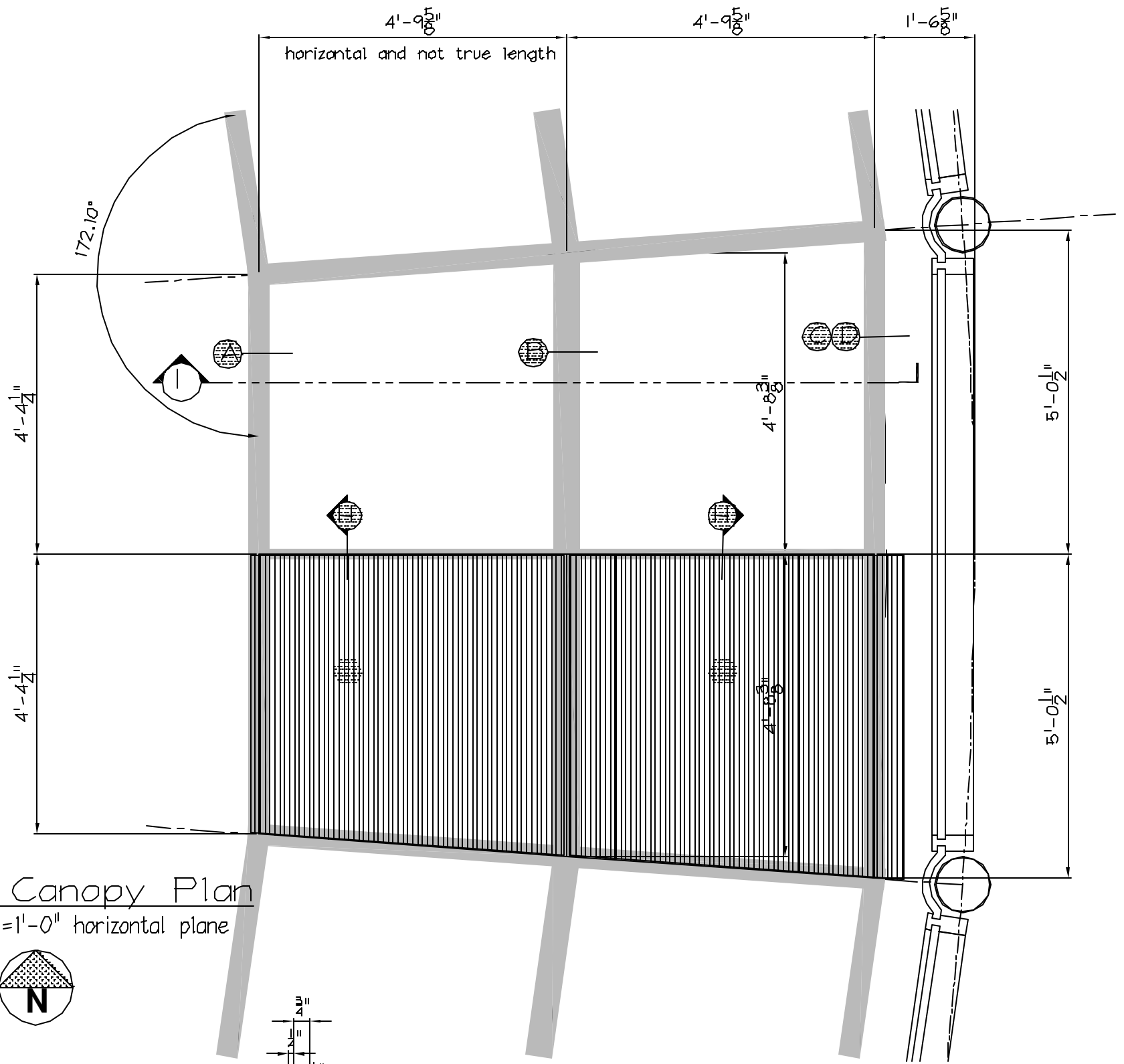


2 of 6  
Issued:  
1/9/01  
revised 2/22/01  
revised 3/28/01

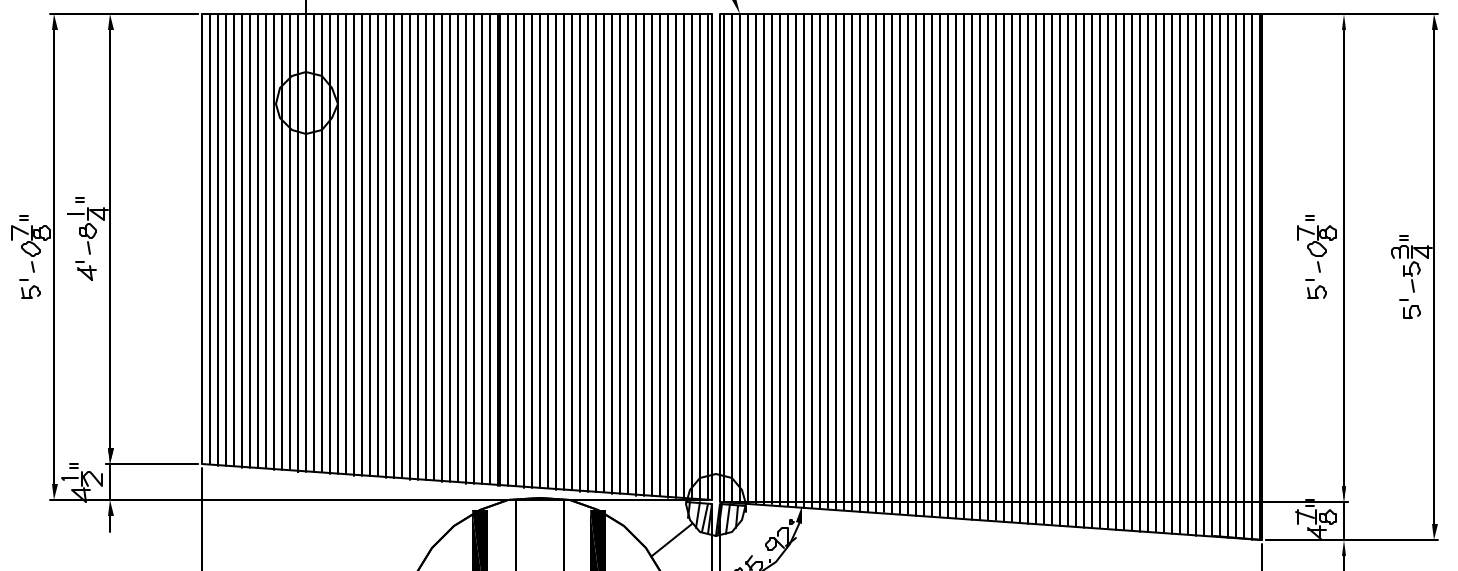
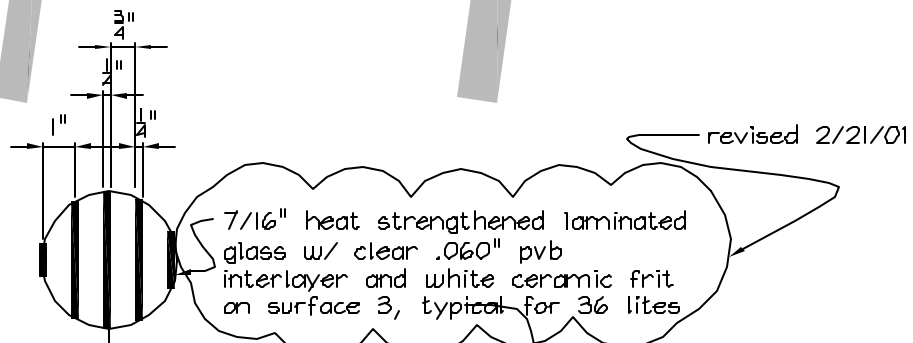
Project:  
Loras College  
450 Alta Vista  
Dubuque, IA 52001

General Contractor:  
Conlon Construction Co.  
1100 Rockdale Rd.  
Dubuque, IA 52003

Subcontractor:  
**WISCONSIN SOLAR DESIGN**  
6349 Briarcliff Ln., Middleton, WI 53562



2 Partial Canopy Plan  
 scale: 1/2" = 1'-0" horizontal plane



3 Typical Glass Panels  
 scale: 1/2" = 1'-0" true length

glass: 9 each of two panels,  
 9 opp hd, 36 total pieces

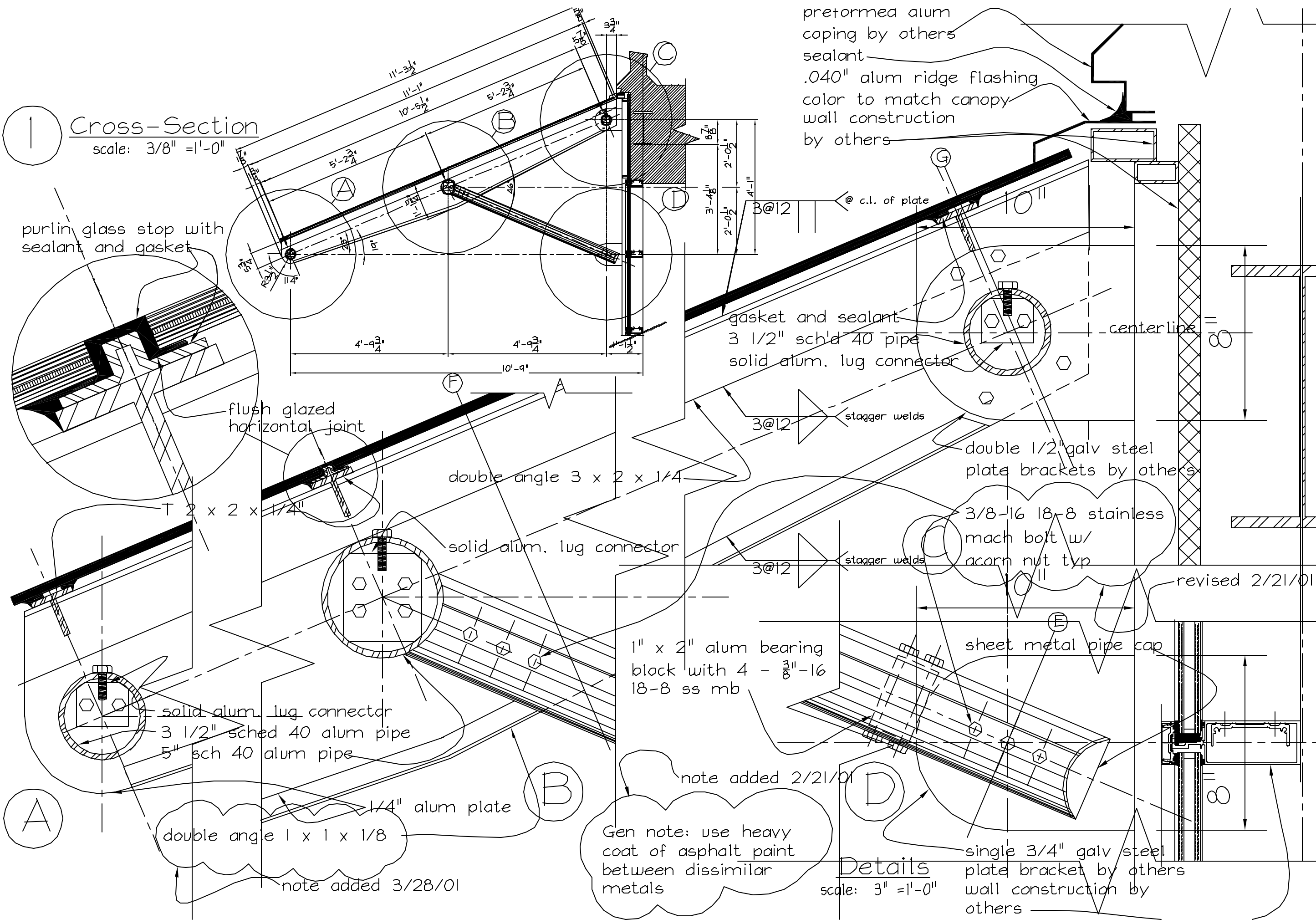
Boff  
 Issued: 1/9/01  
 revised 2/22/01  
 revised 3/28/01

Project:  
 Loras College  
 450 Alta Vista  
 Dubuque, IA 52001

General Contractor:  
 Conlon Construction Co.  
 1100 Rockdale Rd.  
 Dubuque, IA 52003

Subcontractor:  
**WISCONSIN SOLAR DESIGN**  
 6349 Briarcliff Ln., Middleton, WI 53562

1 Cross-Section  
scale: 3/8" = 1'-0"



pretormed alum coping by others  
sealant  
.040" alum ridge flashing  
color to match canopy  
wall construction  
by others

purlin glass stop with sealant and gasket

flush glazed horizontal joint

double angle 3 x 2 x 1/4

solid alum. lug connector

solid alum. lug connector  
3 1/2" sched 40 alum pipe  
5" sch 40 alum pipe

1/4" alum plate  
double angle 1 x 1 x 1/8

1" x 2" alum bearing block with 4 - 3/8-16 18-8 ss mb

Gen note: use heavy coat of asphalt paint between dissimilar metals

Details  
scale: 3" = 1'-0"

double 1/2" galv steel plate brackets by others

3/8-16 18-8 stainless mach bolt w/ acorn nut typ

sheet metal pipe cap

single 3/4" galv steel plate bracket by others  
wall construction by others

Subcontractor:  
**WISCONSIN SOLAR DESIGN**  
6349 Briarcliff Ln., Middleton, WI 53562

General Contractor:  
Conlon Construction Co.  
1100 Rockdale Rd.  
Dubuque, IA 52003

Project:  
Loras College  
450 Alta Vista  
Dubuque, IA 5200

4 of 6  
Issued:  
1/9/01  
revised 2/22/01  
revised 3/28/01

added weld symbols

revised 2/21/01

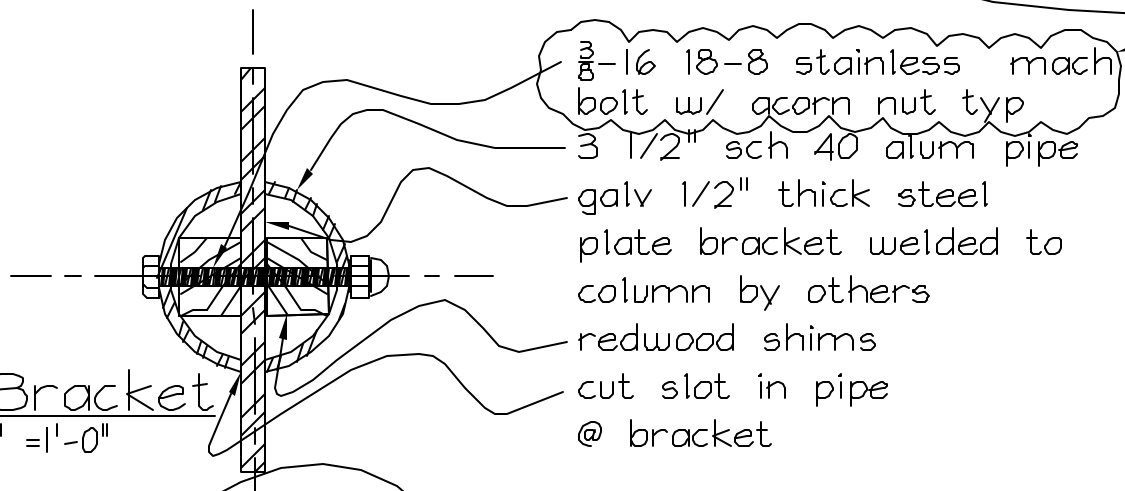
note added 3/28/01

note added 2/21/01

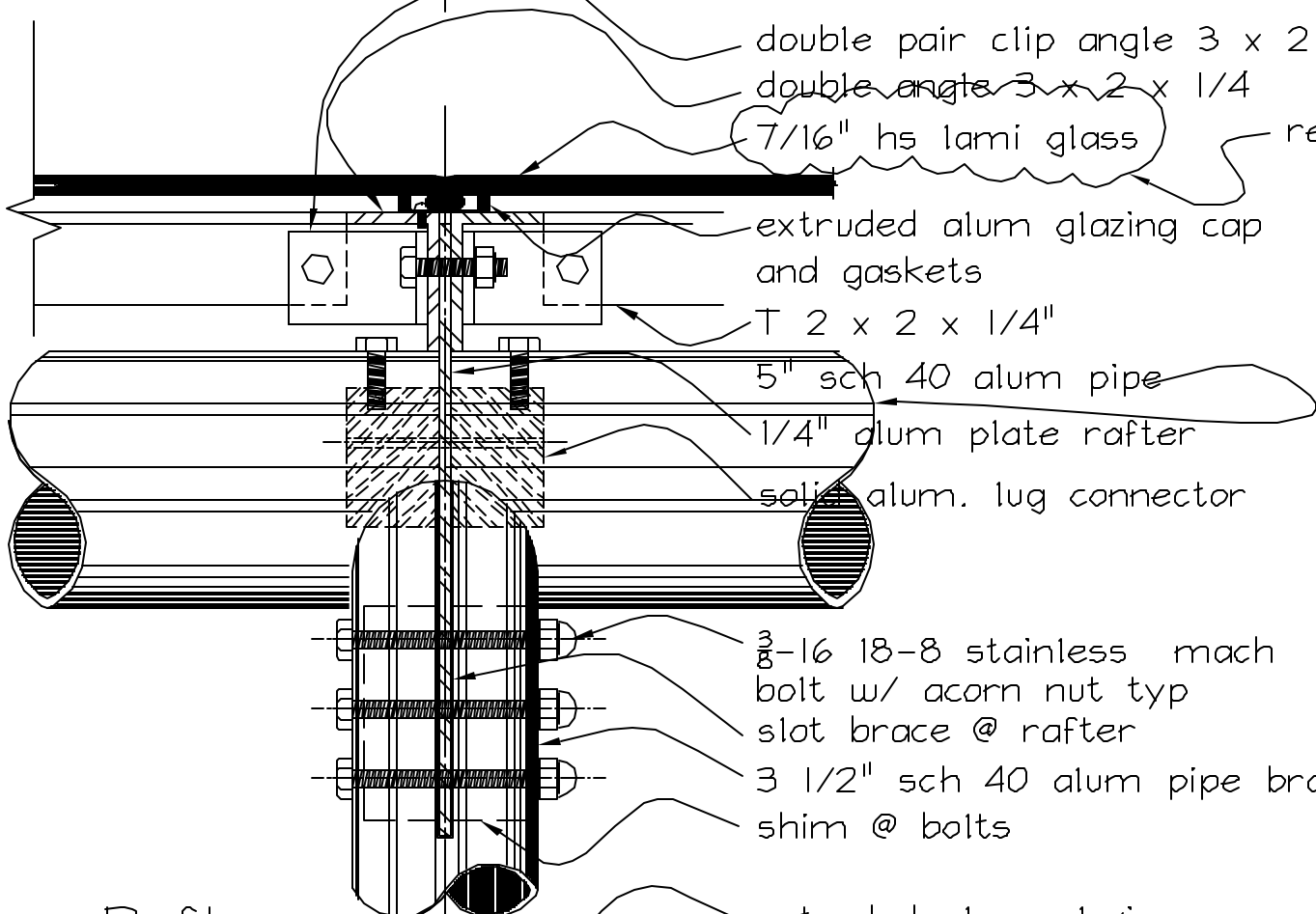
revised 2/21/01

E

Lower Bracket  
scale: 3" = 1'-0"



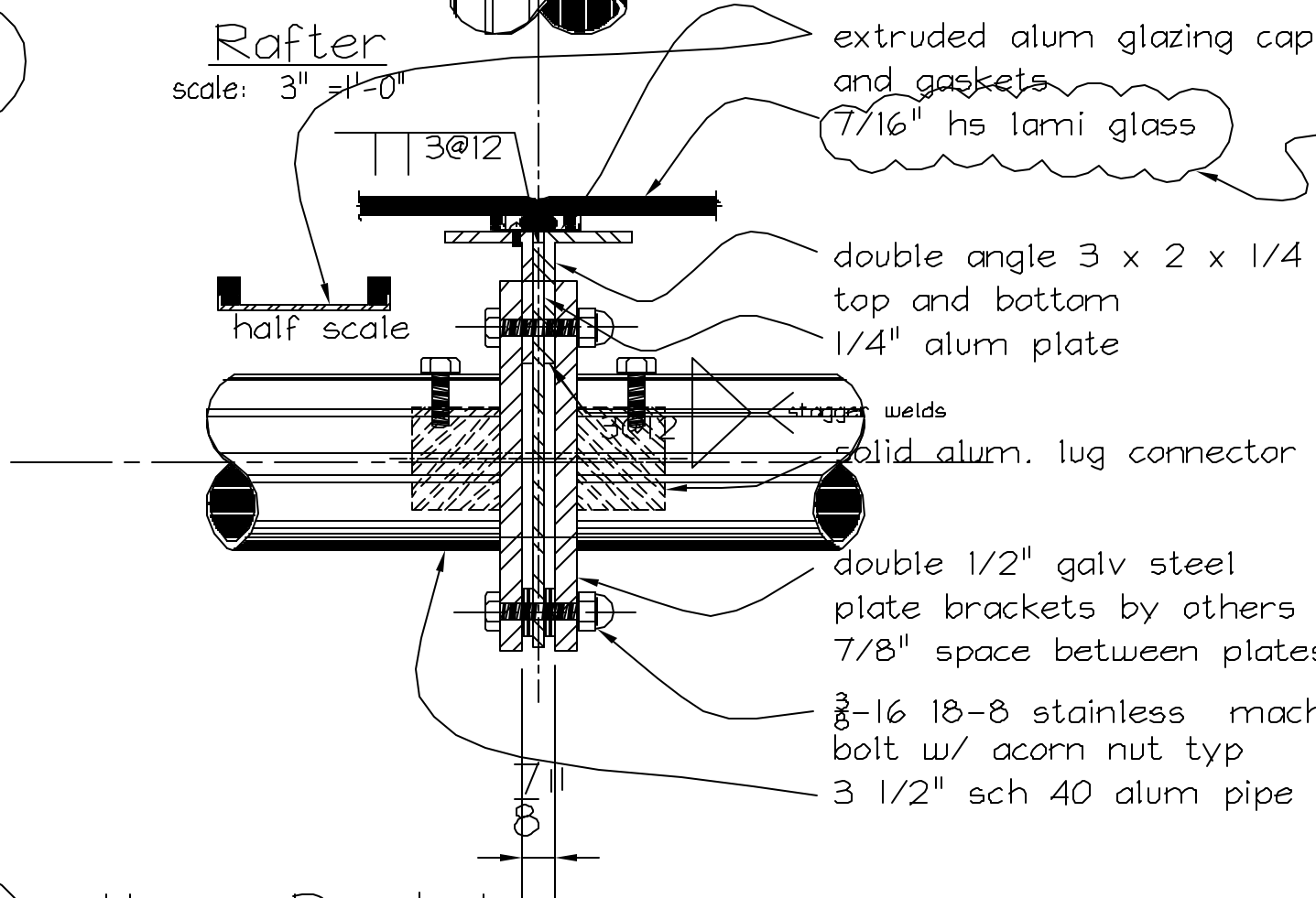
- 3/8"-16 18-8 stainless mach bolt w/ acorn nut typ
- 3 1/2" sch 40 alum pipe
- galv 1/2" thick steel plate bracket welded to column by others
- redwood shims
- cut slot in pipe @ bracket



- double pair clip angle 3 x 2 x 1/4
- double angle 3 x 2 x 1/4
- 7/16" hs lami glass
- extruded alum glazing cap and gaskets
- T 2 x 2 x 1/4"
- 5" sch 40 alum pipe
- 1/4" alum plate rafter
- solid alum. lug connector
- 3/8"-16 18-8 stainless mach bolt w/ acorn nut typ
- slot brace @ rafter
- 3 1/2" sch 40 alum pipe brace
- shim @ bolts

F

Rafter  
scale: 3" = 1'-0"



- extruded alum glazing cap and gaskets
- 7/16" hs lami glass
- double angle 3 x 2 x 1/4 top and bottom
- 1/4" alum plate
- stagger welds
- solid alum. lug connector
- double 1/2" galv steel plate brackets by others
- 7/8" space between plates
- 3/8"-16 18-8 stainless mach bolt w/ acorn nut typ
- 3 1/2" sch 40 alum pipe

G

Upper Bracket  
scale: 3" = 1'-0"

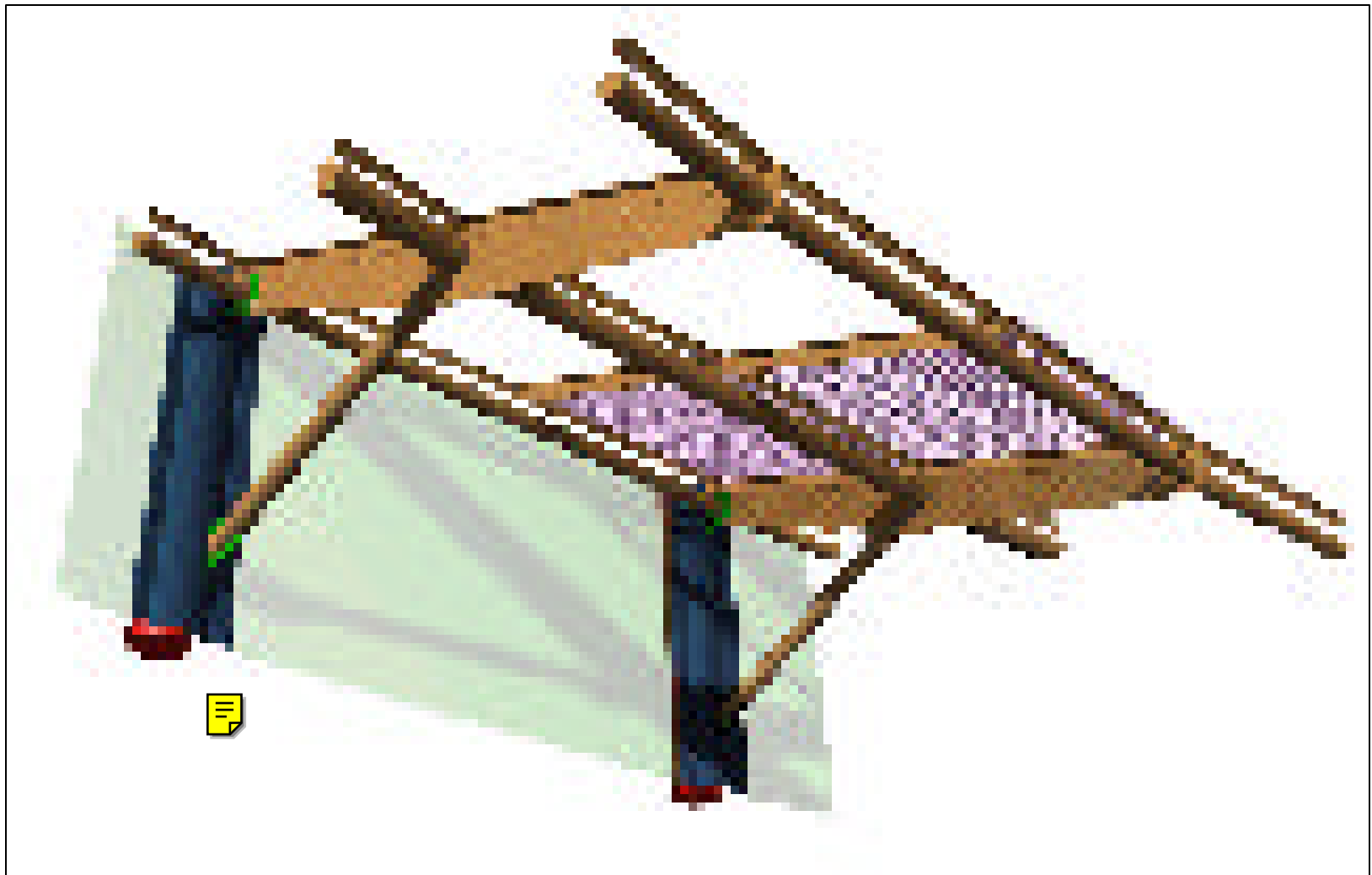
revised 3/28/01 - added weld symbols to dtl G

SOFT  
Issued:  
1/9/01  
revised 2/22/01

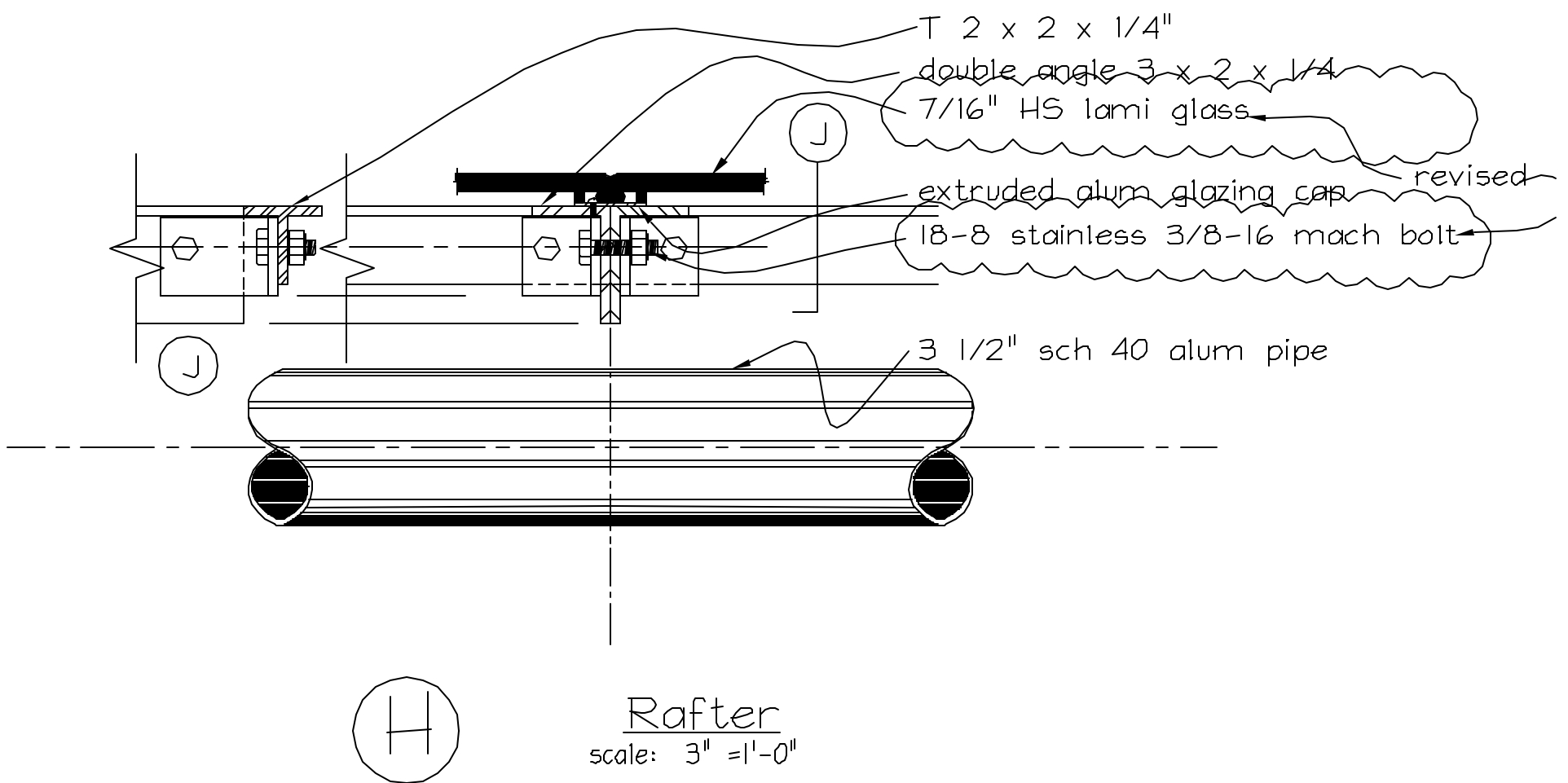
Project:  
Loras College  
450 Alta Vista  
Dubuque, IA 52001

General Contractor:  
Conlan Construction Co.  
1100 Rockdale Rd.  
Dubuque, IA 52003

Subcontractor:  
**WISCONSIN SOLAR DESIGN**  
6349 Briarcliff Ln., Middleton, WI 53562



Pictorial



revised 3/28/01  
 revised 2/22/01  
 1/9/01  
 issued:  
 JPF

Project:  
 Loras College  
 450 Alta Vista  
 Dubuque, IA 52001

General Contractor:  
 Conlon Construction Co.  
 1100 Rockdale Rd.  
 Dubuque, IA 52003

Subcontractor:  
**WISCONSIN SOLAR DESIGN**  
 6349 Briarcliff Ln., Middleton, WI 53562

