

WILLOW RIVER ELEMENTARY SCHOOL REMODELING SKYLIGHT & SOLARIUM SHOP DRAWINGS

Manufacturer/Installer:
WISCONSIN SOLAR DESIGN
 Ph. 608-831-2112 Fax 608-233-1003
 6349 Briarcliff Ln., Middleton, WI 53562

General Contractor:
 Market & Johnson, Inc.
 1652 Lakeshore Dr.
 La Crosse, WI 54602

Project:
 Willow River Elem.
 316 St. Croix St.
 Hudson, WI 54016

1 of 7
 Issued:
 2/19/03

SPECIFICATION EXERPTS:

GLASS:

Skylights: Insulating glass, 1 3/8" O.A., 1/4" bronze tinted tempered outboard lite over 3/8" clear laminated heat strengthened inboard with .030 pvb interlayer

Solarium: Vertical glass 1" O.A., insulating glass, for sloped glass insulating glass, 1 3/8" O.A. 1/4" clear tempered outboard over 3/8" clear laminated inboard with .030 pvb interlayer.

FINISH FOR FRAMEWORK AND FLASHINGS:

Dark bronze anodized

NOTES:

1. G.C. please verify all curb dimensions noted *x' -y"
2. Please note curb blocking requirements for skylight, p.6
3. Please note stone sill requirements for solarium, p.7
4. Please note proposed center point for solarium sill, p.4
5. Skylight is designed to absorb internal lateral thrust such that these forces are not applied to the curb.
6. The curb construction will need to resist lateral forces may be applied to the curb due to wind load and the vertical skylight load.

Owner:

Hudson School District
 1401 Vine St.
 Hudson, WI 54016

Architect:

SDS Architects, Inc.
 205 North Dewey St.
 Eau Claire, WI 54703-3537



DRAWING APPROVAL: We have reviewed these drawings and approve their use for construction of the skylight and solarium. Any comments or suggestions have been added to the drawings.

General Contractor:

Market & Johnson, Inc.

name _____

title _____

date _____

Architect:

SDS Architects, Inc.

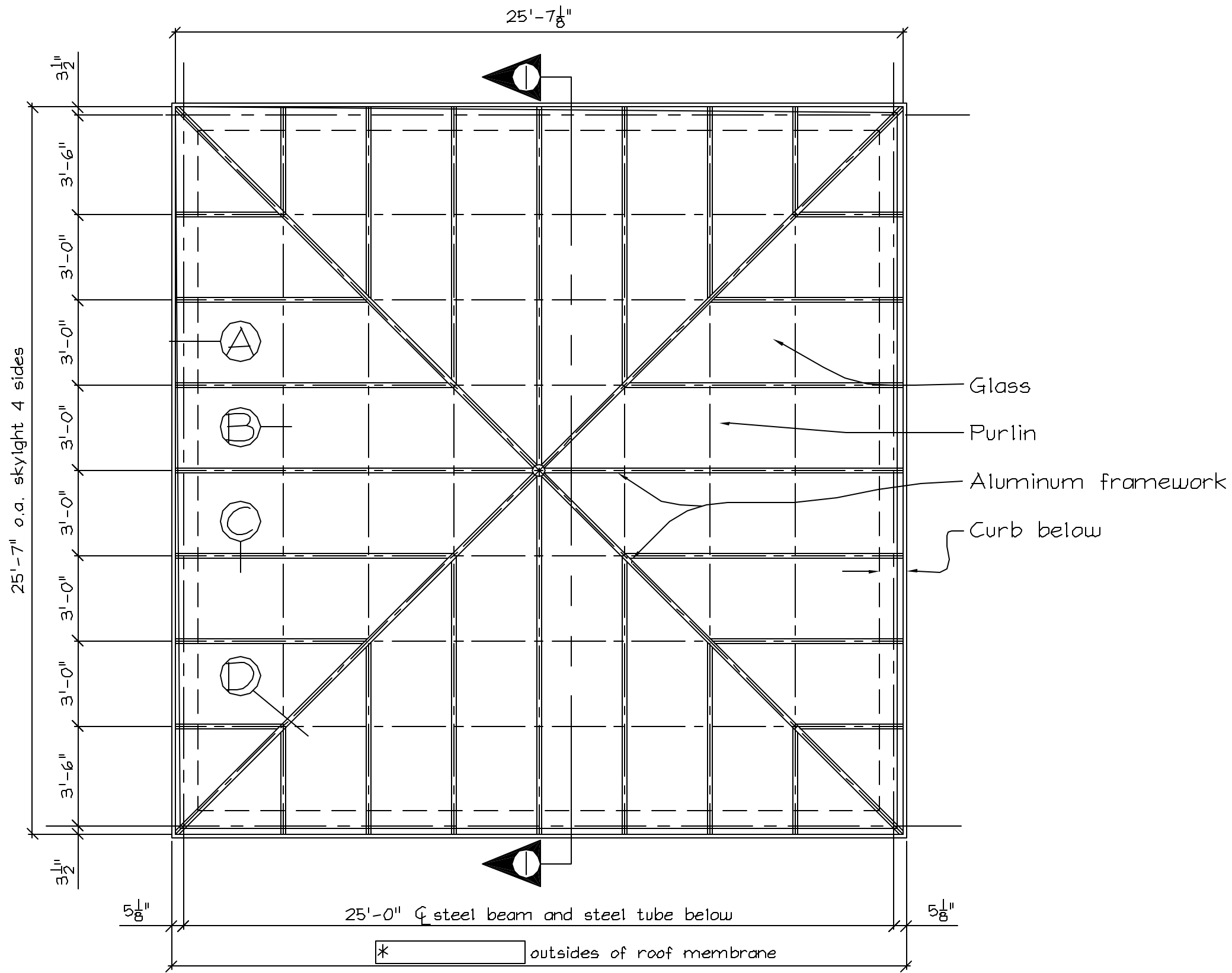
name _____

title _____

date _____

INDEX:

1. Title page
2. Skylight Plan
3. Skylight Elevation, Cross Section
4. Solarium Plan, Elevation
5. Solarium Elevation, Cross Section
6. Skylight Details
7. Solarium Details



PLAN-SKYLIGHT

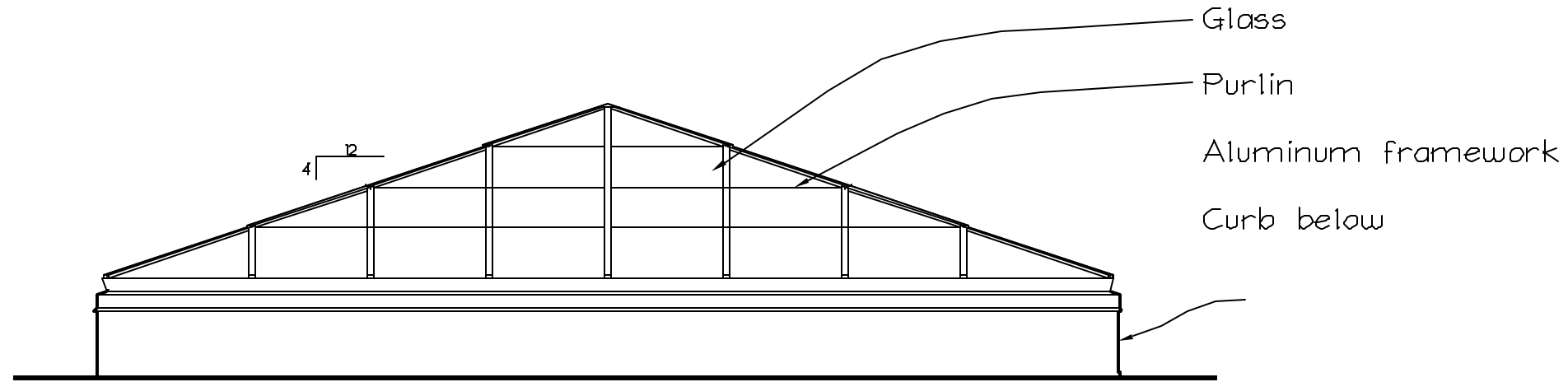
scale: 1/4" = 1'-0"

Manufacturer/installer:
WISCONSIN SOLAR DESIGN
 6349 Briarcliff Ln., Middleton, WI 53562

Owner:
 Hudson School District
 1401 Vine St.
 Hudson, WI 54016

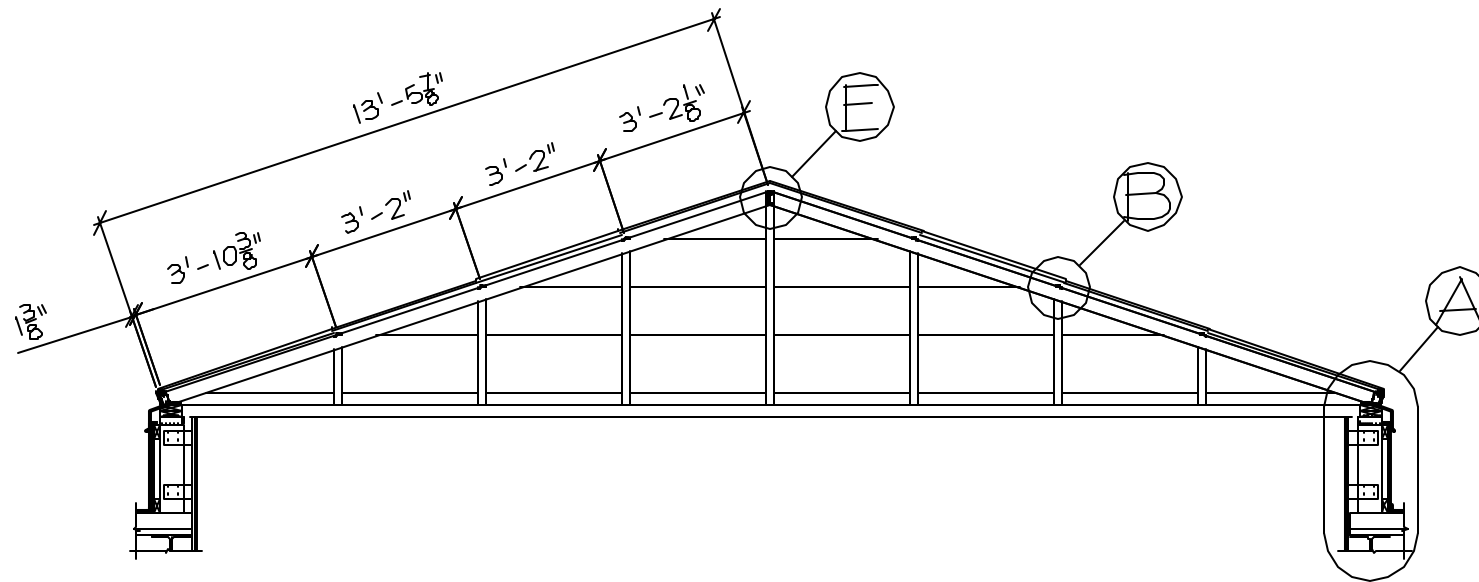
Architect:
 SDS Architects, Inc.
 205 North Dewey St.
 Eau Claire, WI 54703-3537

2 of 7
 Issued:
 2/19/03



SKYLIGHT ELEVATION

scale: 1/4" = 1'-0"



CROSS SECTION

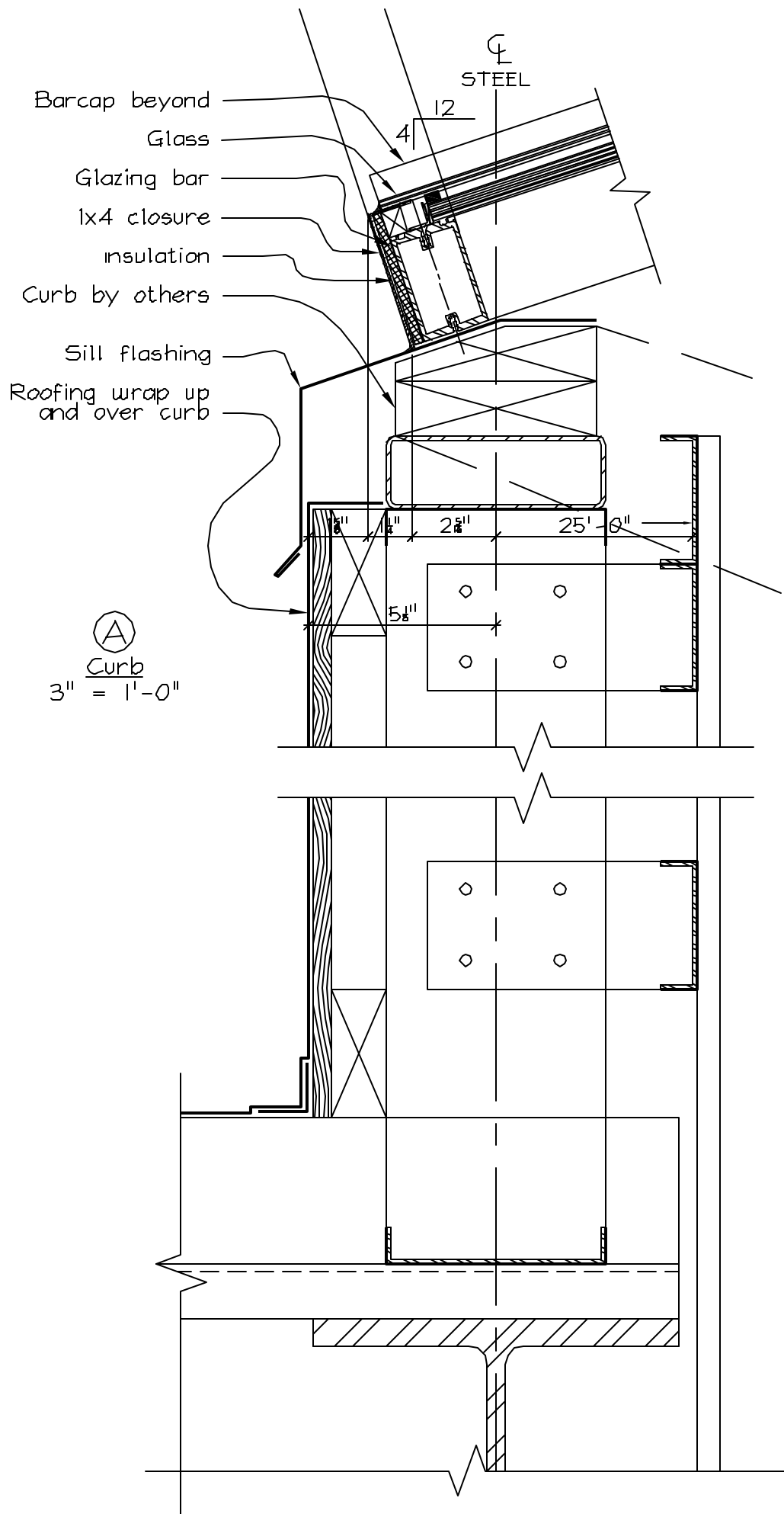
scale: 1/4" = 1'-0"

Manufacturer/installer:
WISCONSIN SOLAR DESIGN
 6349 Briarcliff Ln., Middleton, WI 53562

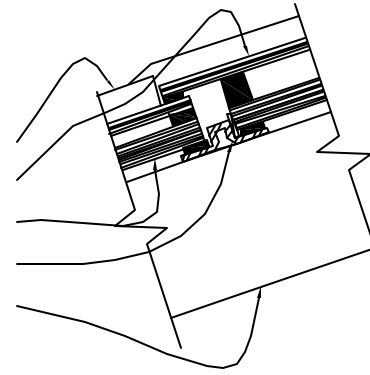
Owner:
 Hudson School District
 1401 Vine St.
 Hudson, WI 54016

Architect:
 SDS Architects, Inc.
 205 North Dewey St.
 Eau Claire, WI 54703-3537

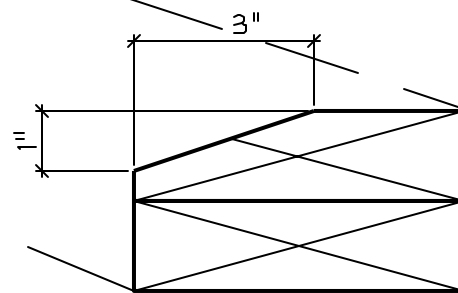
3 of 7
 Issued:
 2/19/03



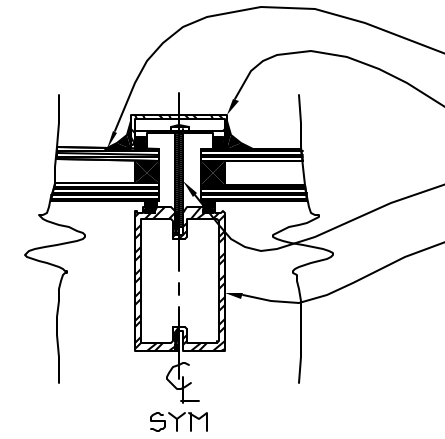
Barcap beyond
Glass
Purlin bar
Rafter Beyond



(B)
Purlin
3" = 1'-0"

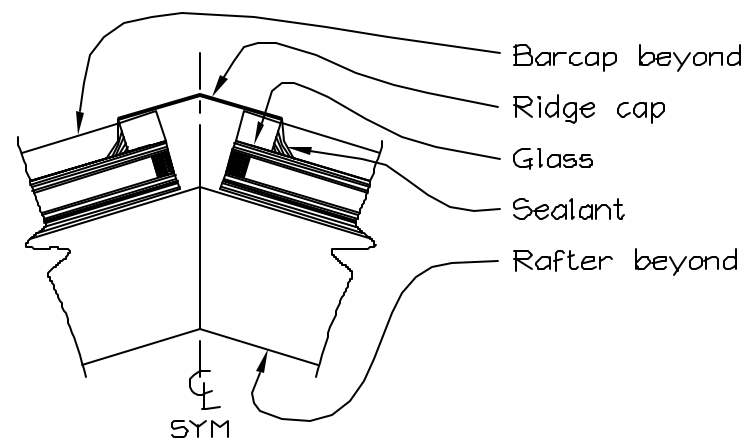


G.C. Please provide (2) p.t.
2x plate w/ 4:12 chamfer.
Secure plates to the steel tube
w/ countersunk 1/2" M.B. 2'-0"
o.c.

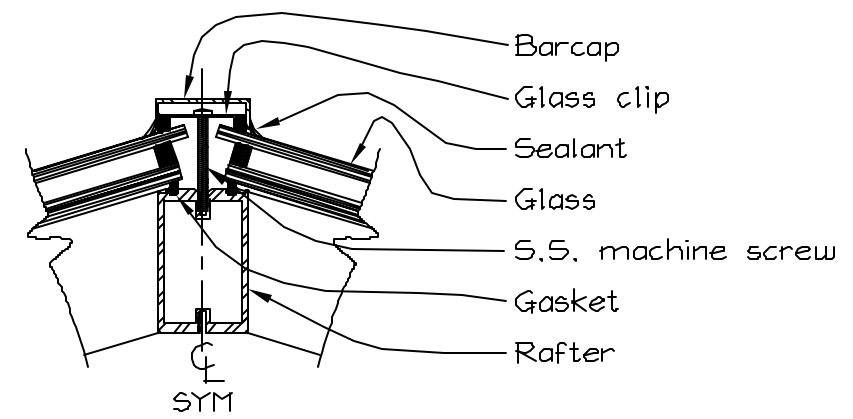


Glass
Barcap
S.S. machine screw
Gasket
Rafter

(C)
Rafter
scale: 3" = 1'-0"



(E)
Ridge
scale: 3" = 1'-0"



(D)
Hip
scale: 3" = 1'-0"

Manufacturer/installer:
WISCONSIN SOLAR DESIGN
6349 Briarcliff Ln., Middleton, WI 53562

Owner:
Hudson School District
1401 Vine St.
Hudson, WI 54016

Architect:
SDS Architects, Inc.
205 North Dewey St.
Eau Claire, WI 54703-3537

6 of 7
Issued:
2/19/03