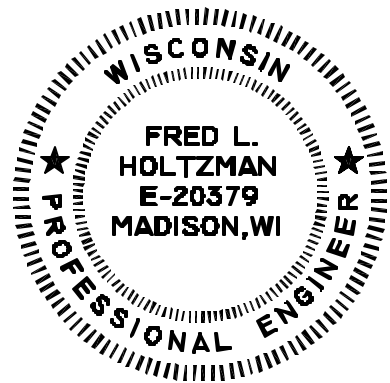


UW-FOND DU LAC GREENHOUSE SHOP DRAWINGS

Subcontractor:
WISCONSIN SOLAR DESIGN
6349 Briarcliff Ln., Middleton, WI 53562



Drawn by:
Ephraim J. Stanfield
Wisconsin Solar Design, Inc.

Owner:
UW-Fond du Lac Center
400 Campus Drive
Fond du Lac, WI 54935

Architect:
Bray Associates Architects, Inc.
1807 Erie Avenue
Sheboygan, WI 53081

General Contractor:
C D Smith Construction
889 E Johnson St.
Fond du Lac, WI 54935

INDEX

- 1 title sheet
- 2 floor plan
- 3 elevation
- 4 cross-section, elevation
- 5 details
- 6 details
- 7 vent detail
- 8 door details
- 9 details

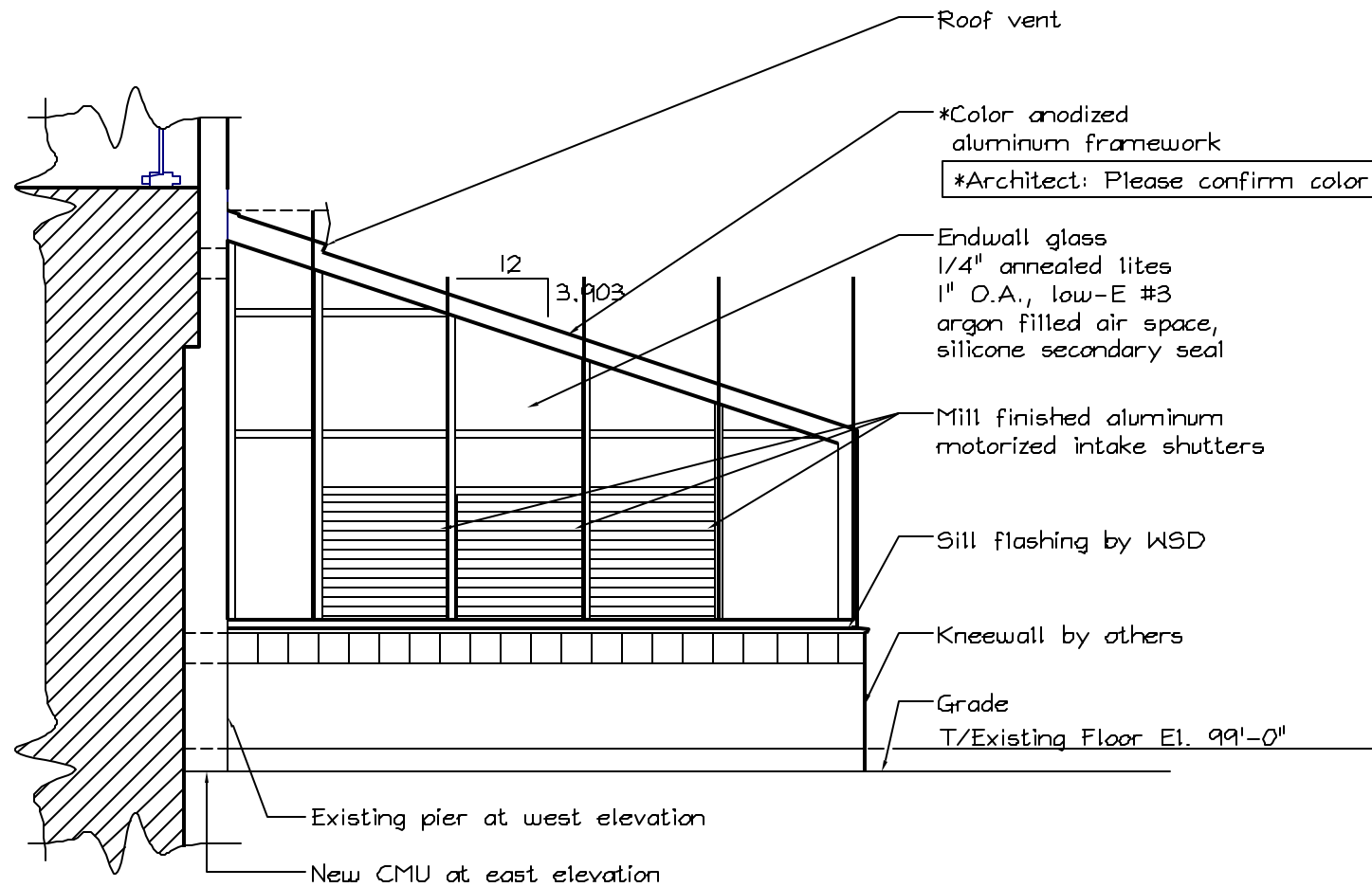
DRAWING APPROVAL: We have reviewed these drawings and approve their use for construction of the greenhouse. Any comments or suggestions have been added to the drawings.

General Contractor:
C. D. Smith Construction, Inc.
name _____
title _____
date _____

Architect:
Bray Associates Architects, Inc.
name _____
title _____
date _____

Project:
UW-Fond du Lac
400 Campus Drive
Fond du Lac, WI 54935

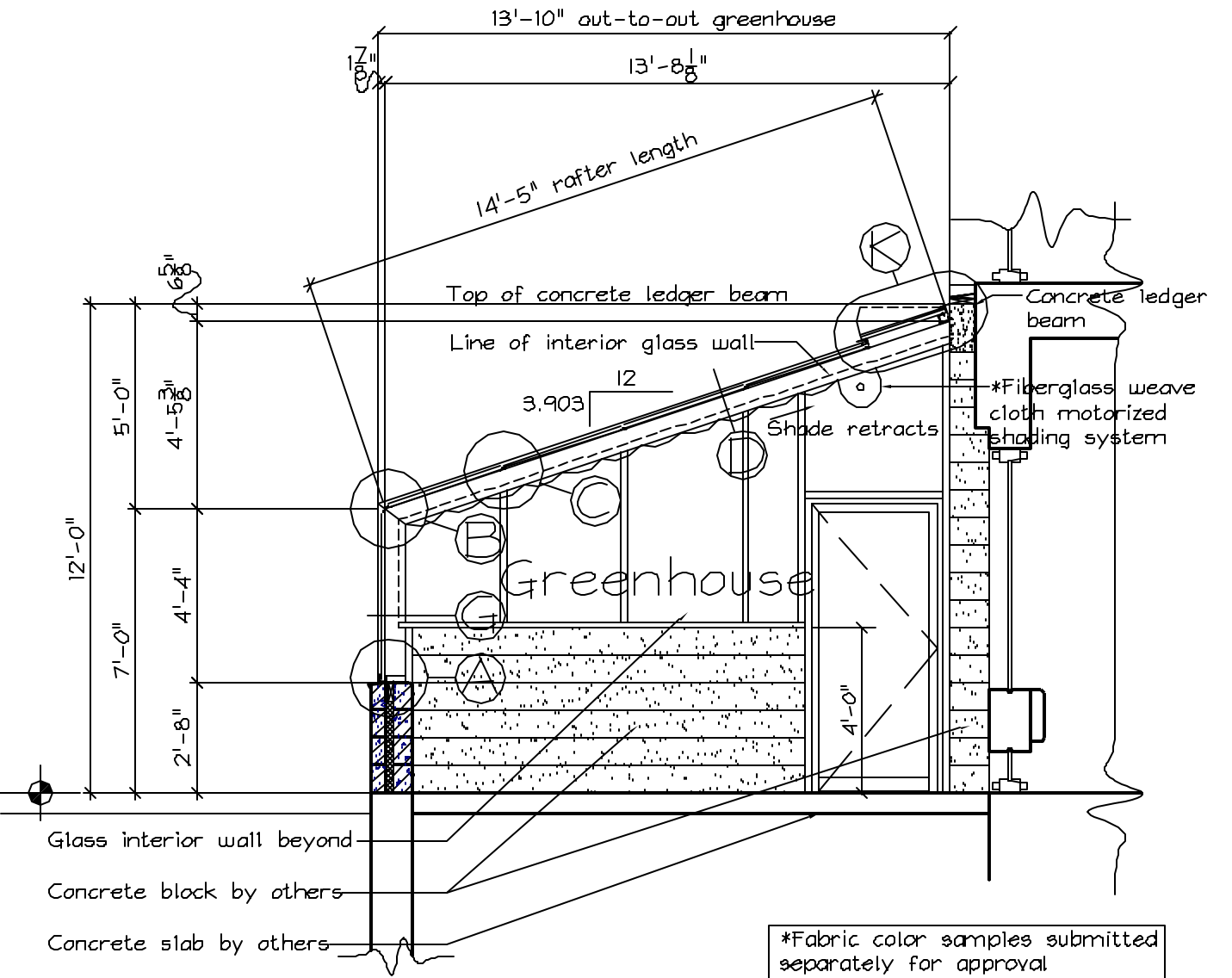
1 of 9
Issued:
12/14/99



WEST GREENHOUSE ELEVATION

scale: 1/4" = 1'-0"

East elevation opp. hand



CROSS-SECTION 1

scale: 1/4" = 1'-0"

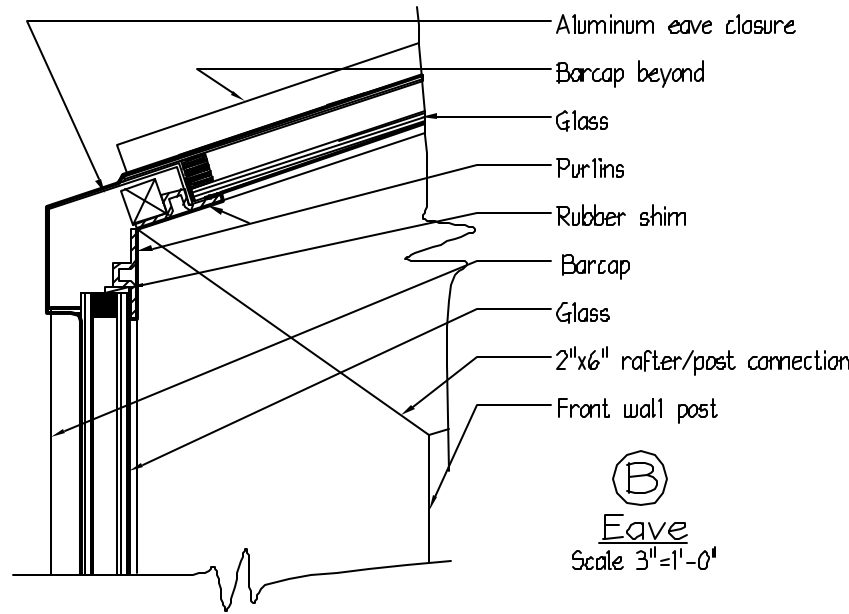
Project:
 UW-Fond du Lac
 400 Campus Drive
 Fond du Lac, WI 54935

Architect:
 Bray Associates Architects, Inc.
 1807 Erie Avenue
 Sheboygan, WI 53082

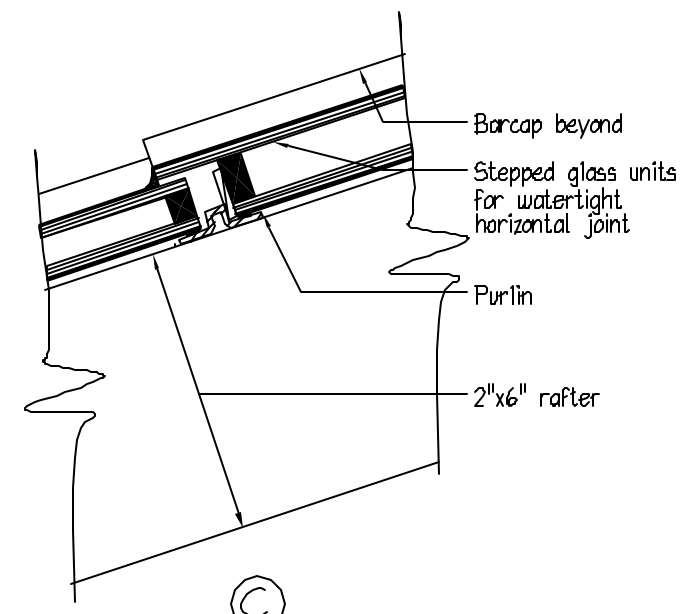
General Contractor:
 C D Smith Construction
 889 E Johnson St.
 Fond du Lac, WI 54935

Subcontractor:
WISCONSIN SOLAR DESIGN
 6349 Briarcliff Ln., Middleton, WI 53562

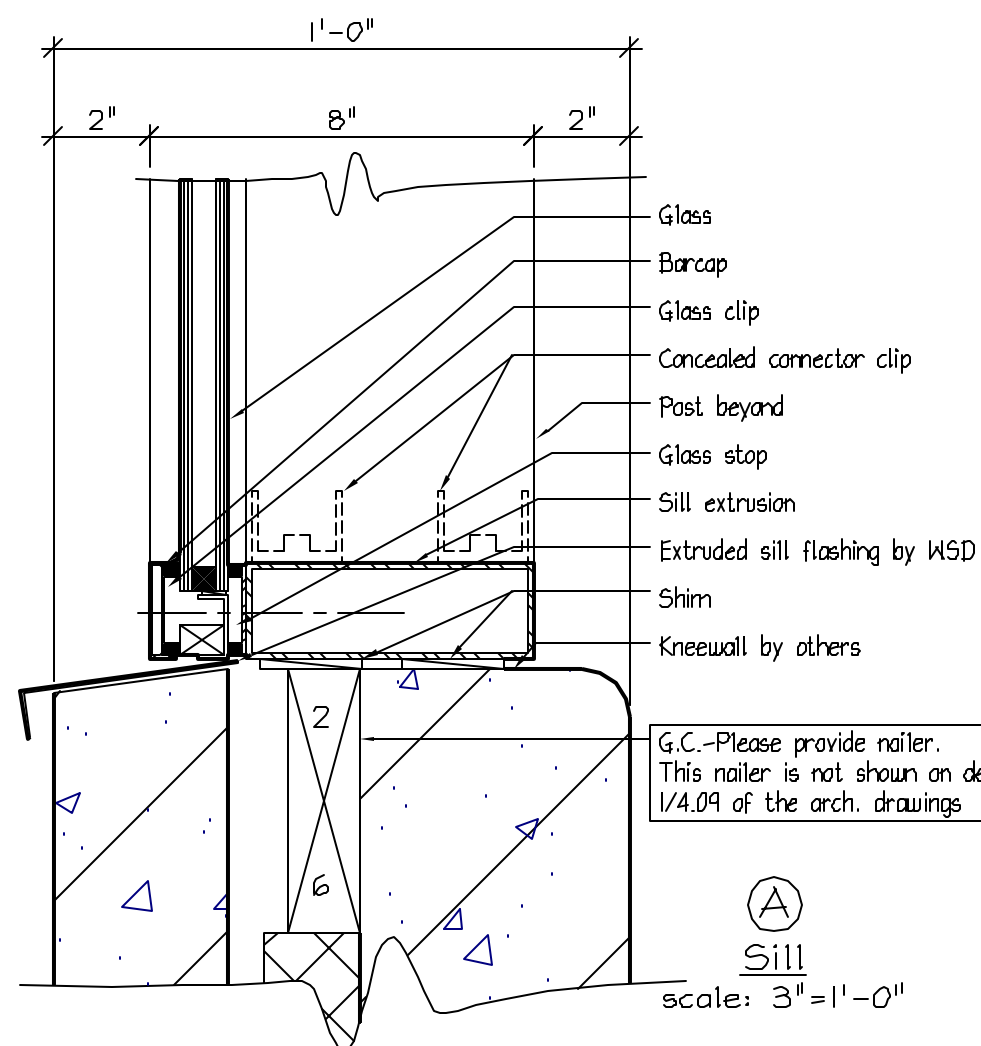
4 of 9
 Issued:
 12/14/99



(B)
 Eave
 Scale 3"=1'-0"

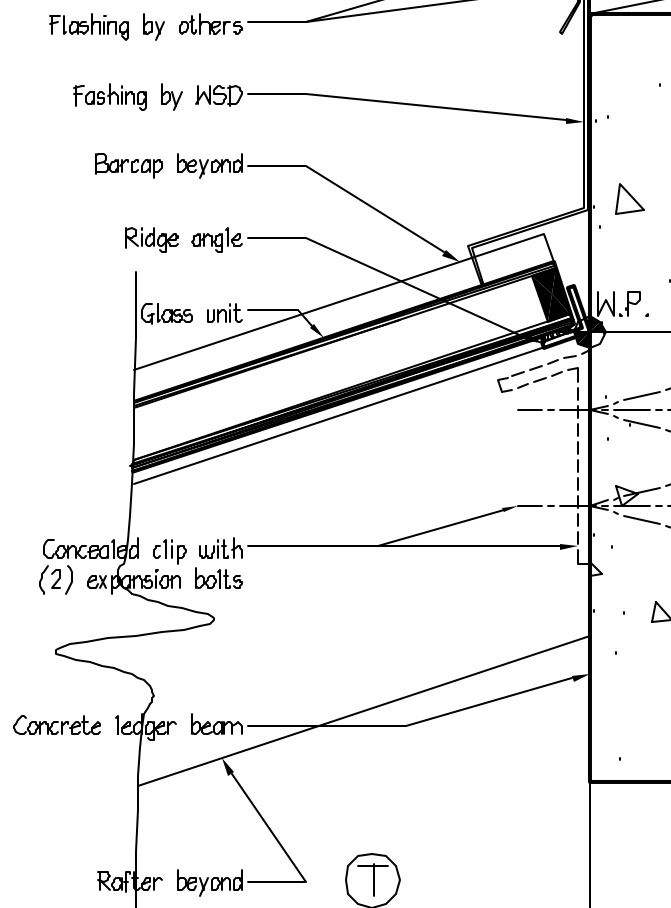


(C)
 Purlin
 Scale: 3"=1'-0"

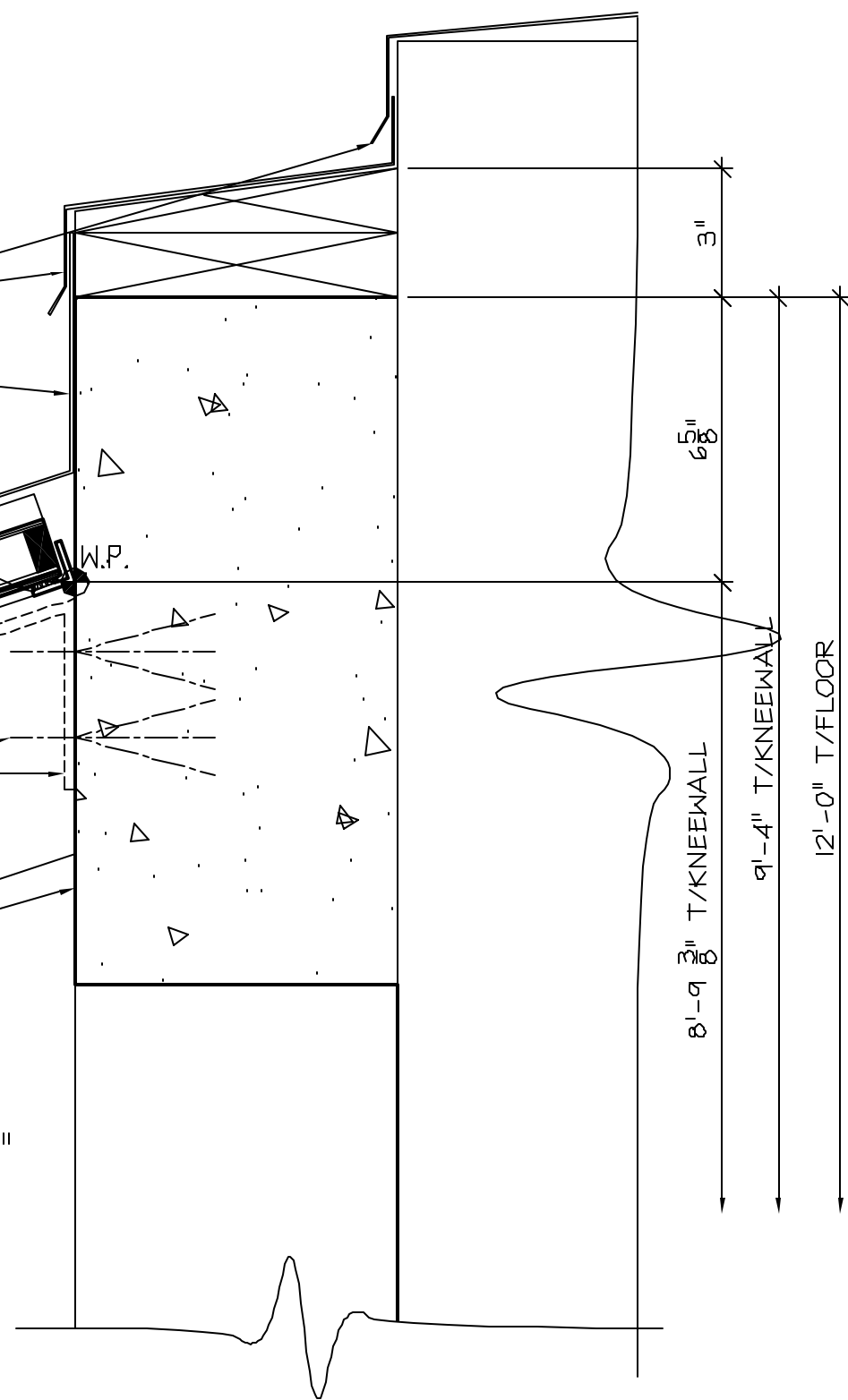


G.C.-Please provide nailer.
 This nailer is not shown on detail
 1/4.09 of the arch. drawings

(A)
 Sill
 scale: 3"=1'-0"



(T)
 Ridge
 scale: 3"=1'-0"

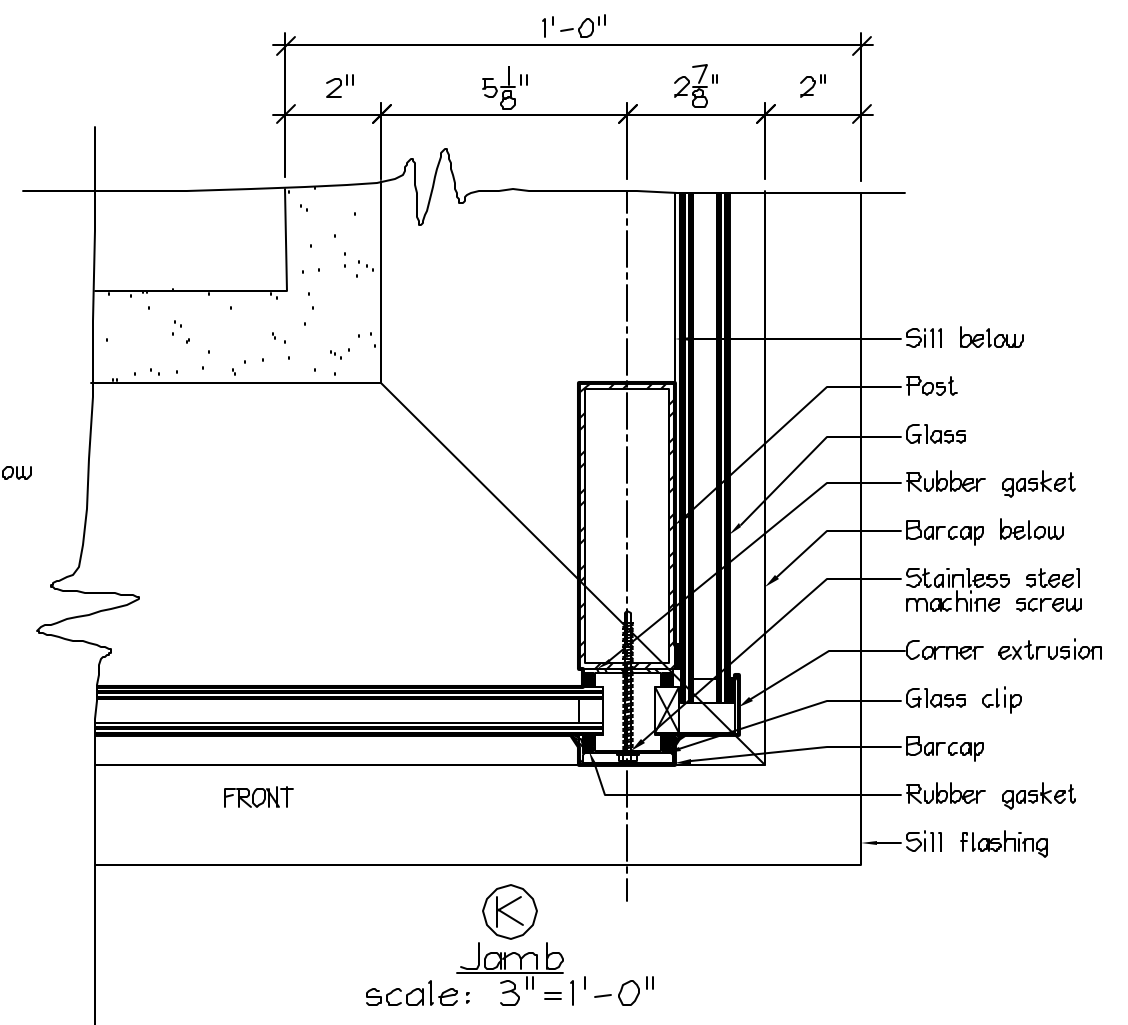
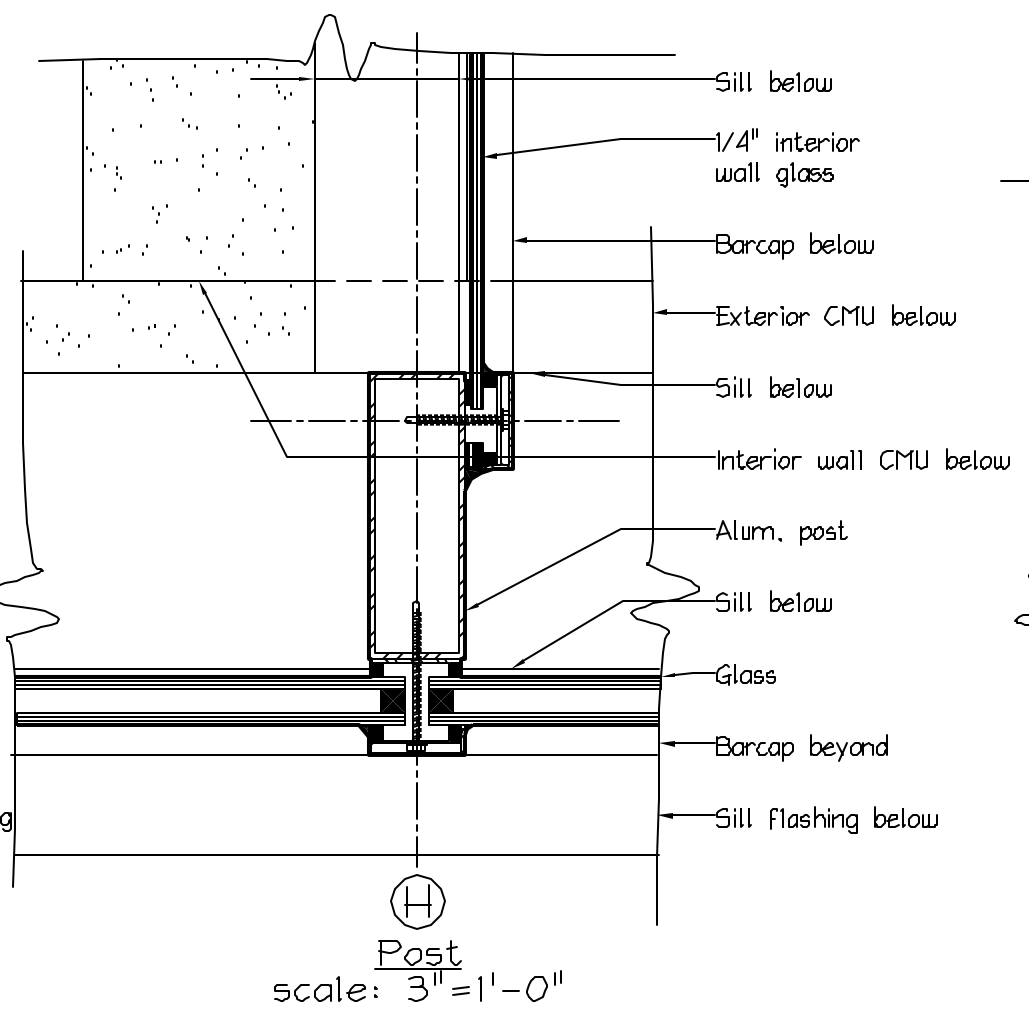
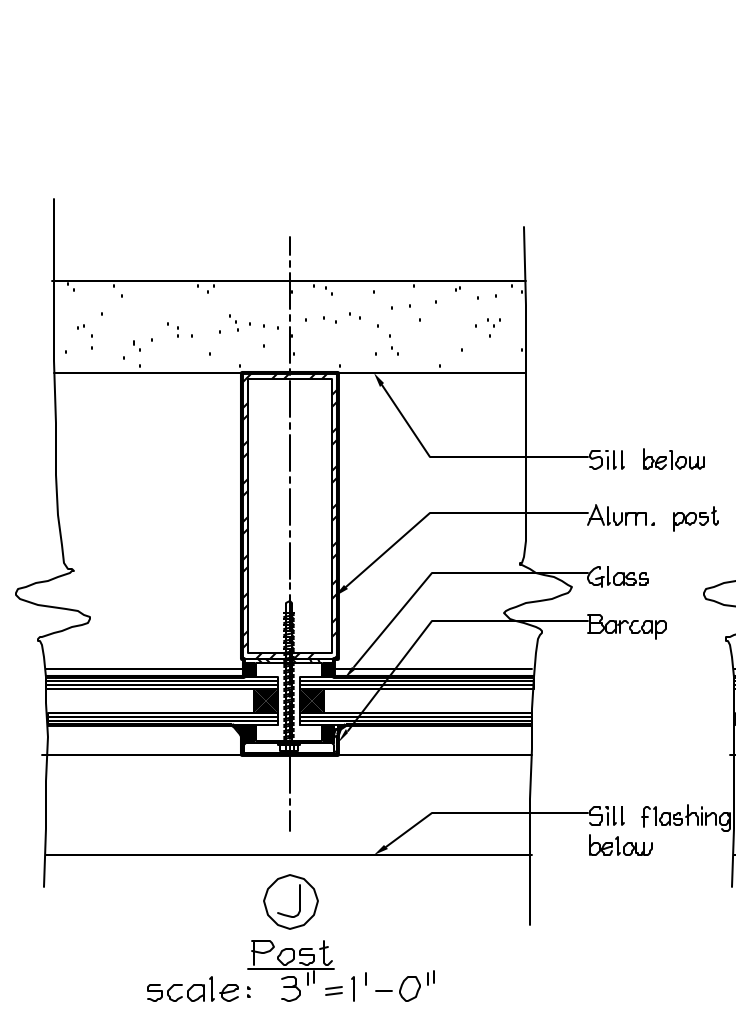
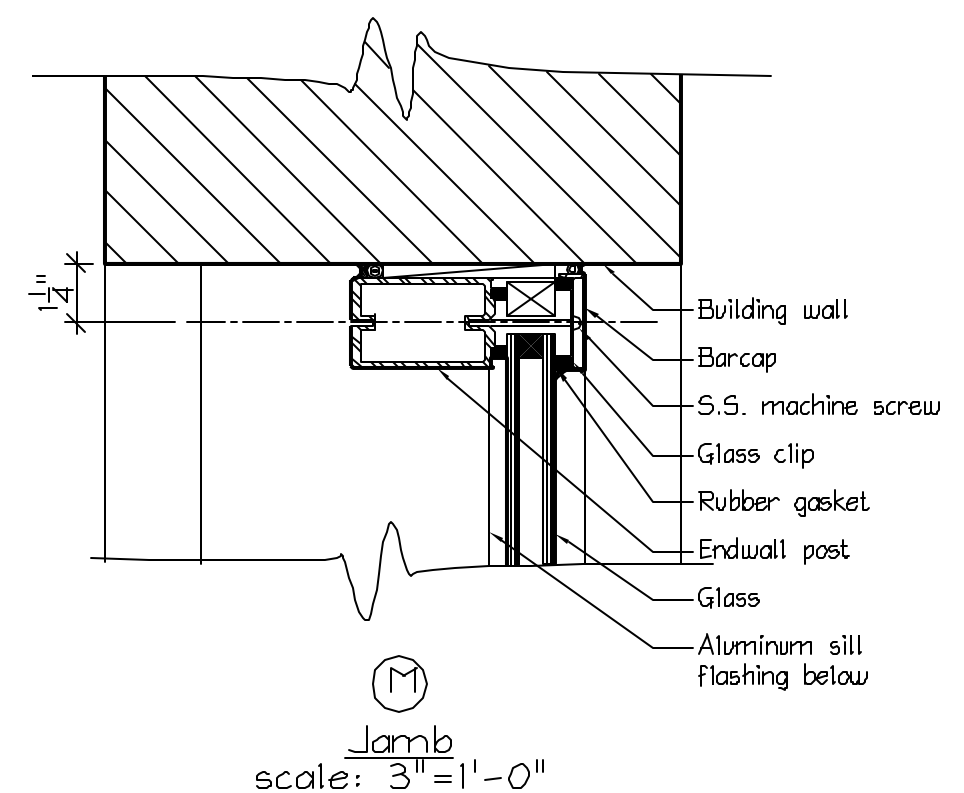
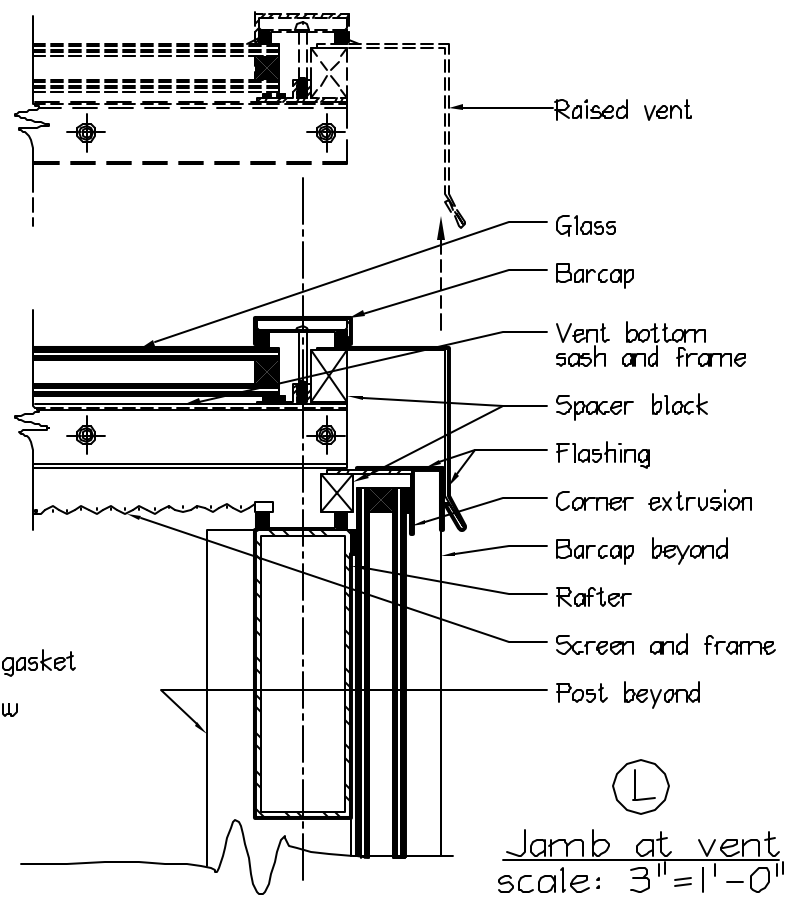
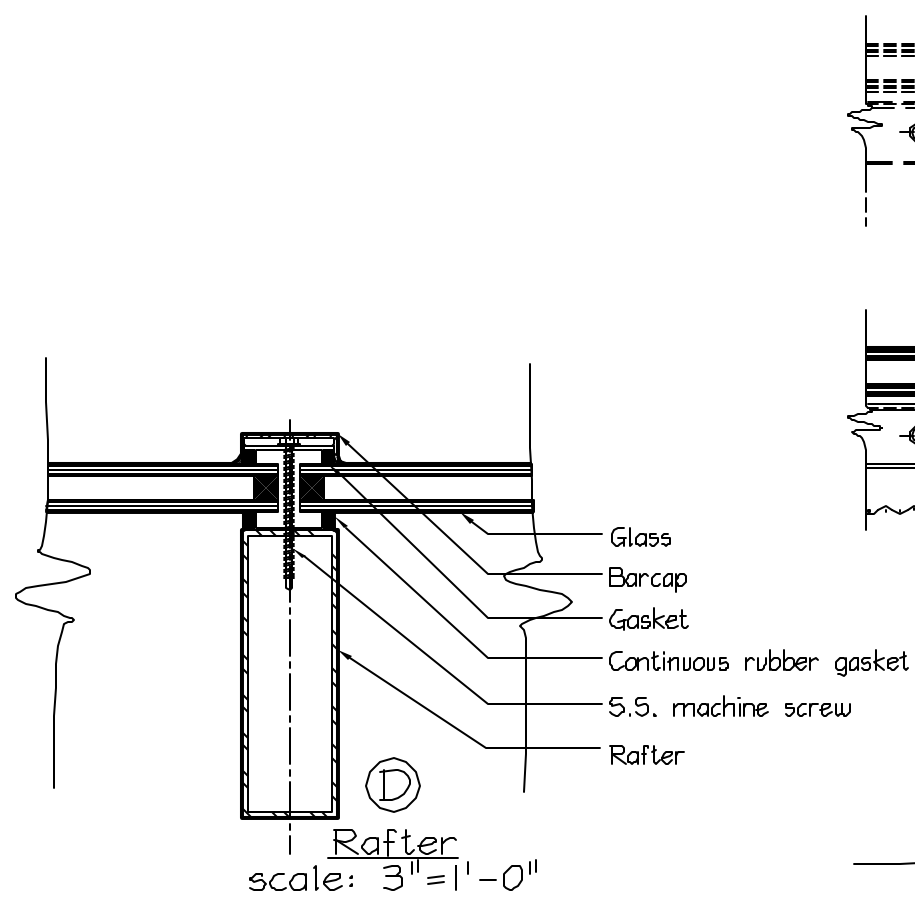


Subcontractor
WISCONSIN SOLAR DESIGN
 6349 Briarcliff Ln., Middleton, WI 53562

General Contractor:
 C D Smith Construction
 889 E Johnson
 Fond du Lac, WI 54935

Project:
 UW-Fond du Lac
 400 Campus Drive
 Fond du Lac, WI 54935

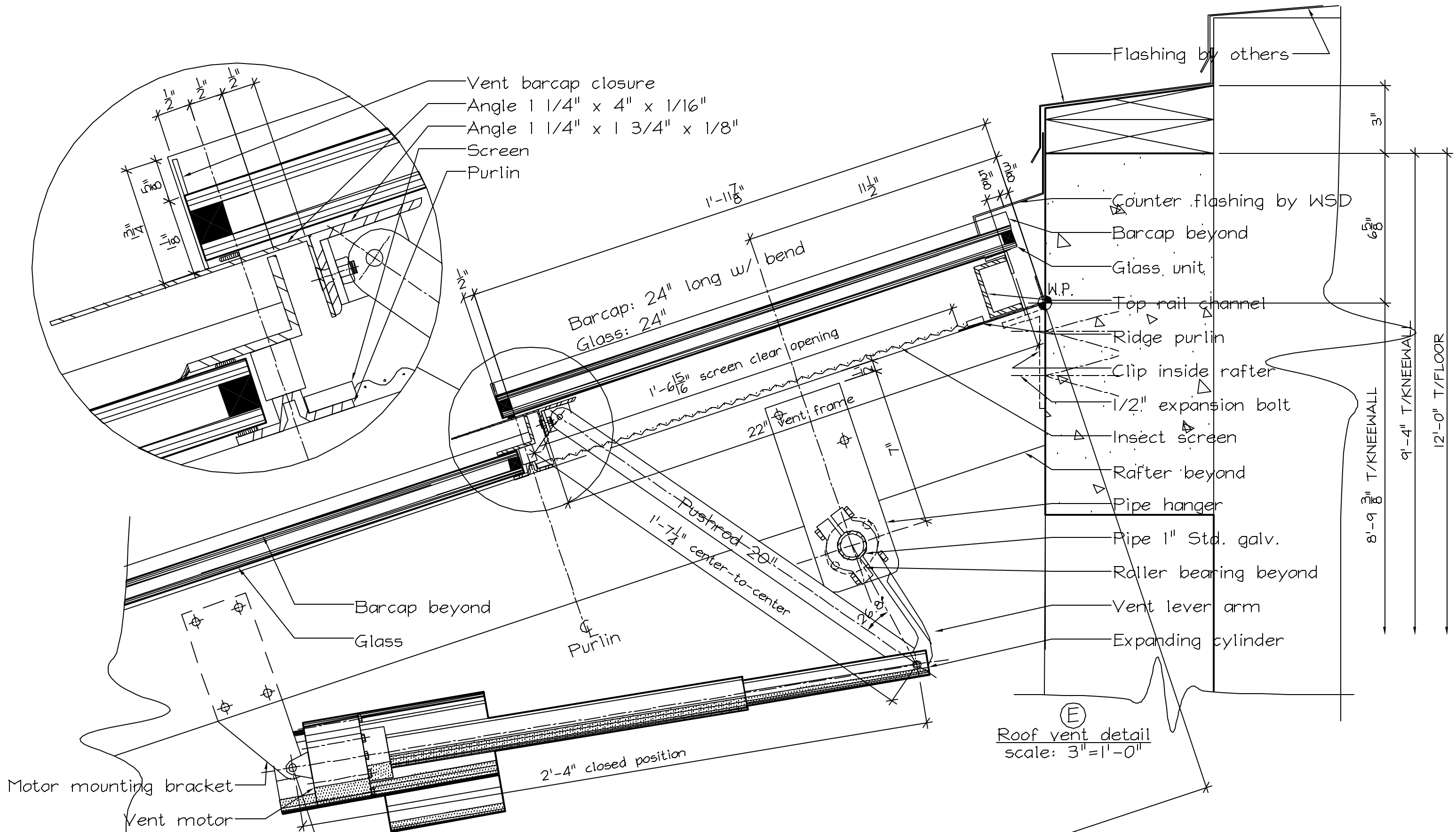
5 of 9
 Issued:
 12/14/99



Subcontractor
WISCONSIN SOLAR DESIGN
 6349 Briarcliff Ln., Middleton, WI 53562

General Contractor:
 C D Smith Construction
 889 E Johnson
 Fond du Lac, WI 54935

Project:
 UW-Fond du Lac
 400 Campus Drive
 Fond du Lac, WI 54935



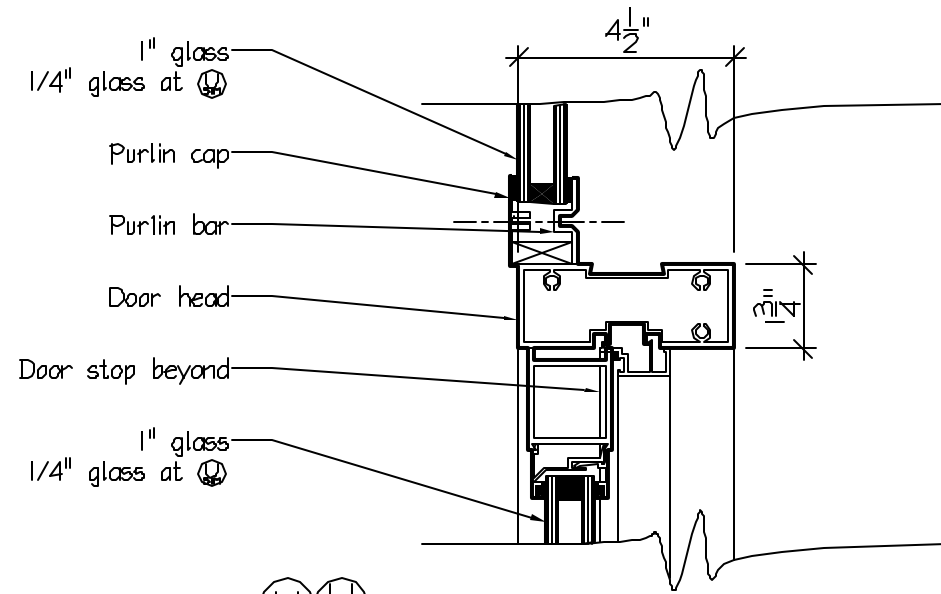
Project:
 UW-Fond du Lac
 400 Campus Drive
 Fond du Lac, WI 54935

Architect:
 Bray Associates Architects, Inc.
 1807 Erie Avenue
 Sheboygan, WI 53082

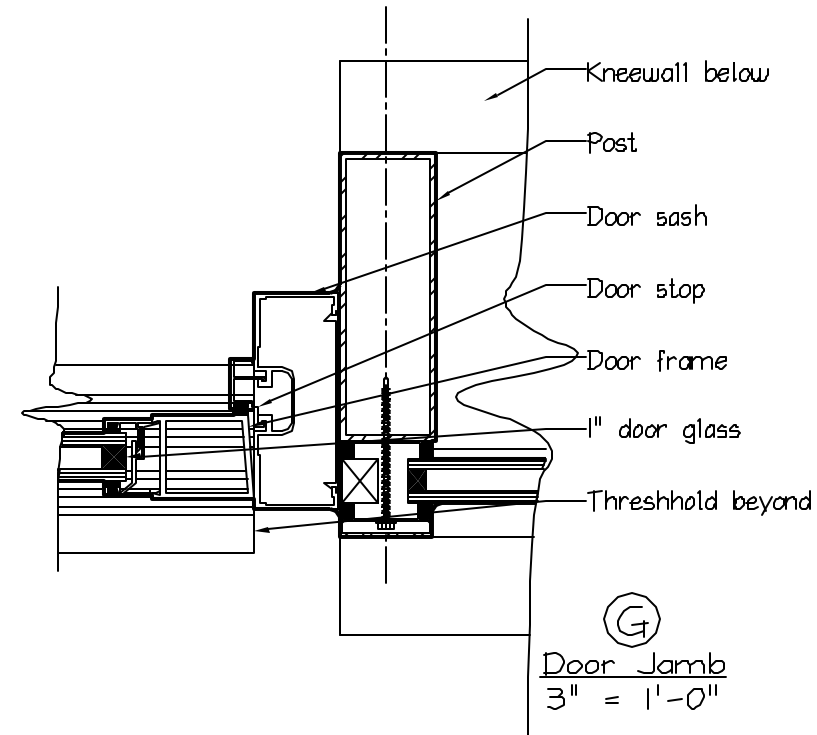
General Contractor:
 C D Smith Construction
 889 E. Johnson St.
 Fond du Lac, WI 54935

Subcontractor:
WISCONSIN SOLAR DESIGN
 6349 Briarcliff Ln., Middleton, WI 53562

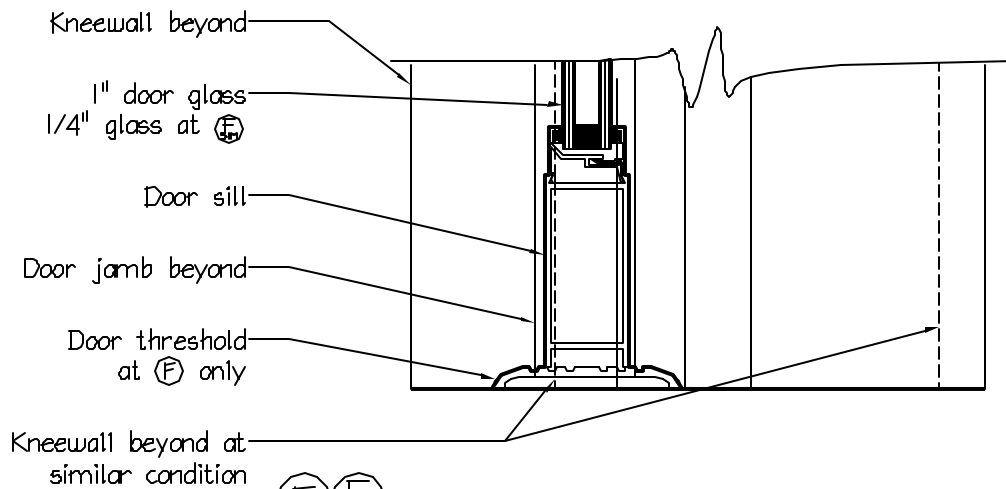
7 of 9
 Issued:
 12/14/99



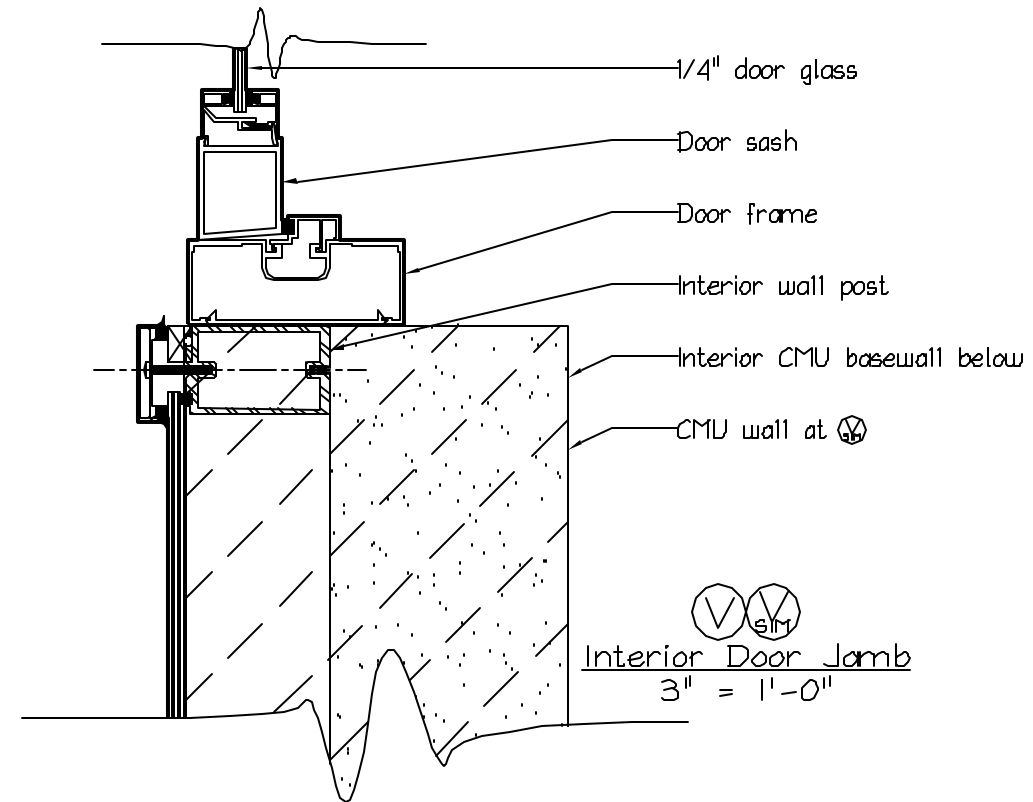
(U) (U)
sim
Door Head
3" = 1'-0"



(G)
Door Jamb
3" = 1'-0"



(F) (F)
sim
Door Sill
3" = 1'-0"



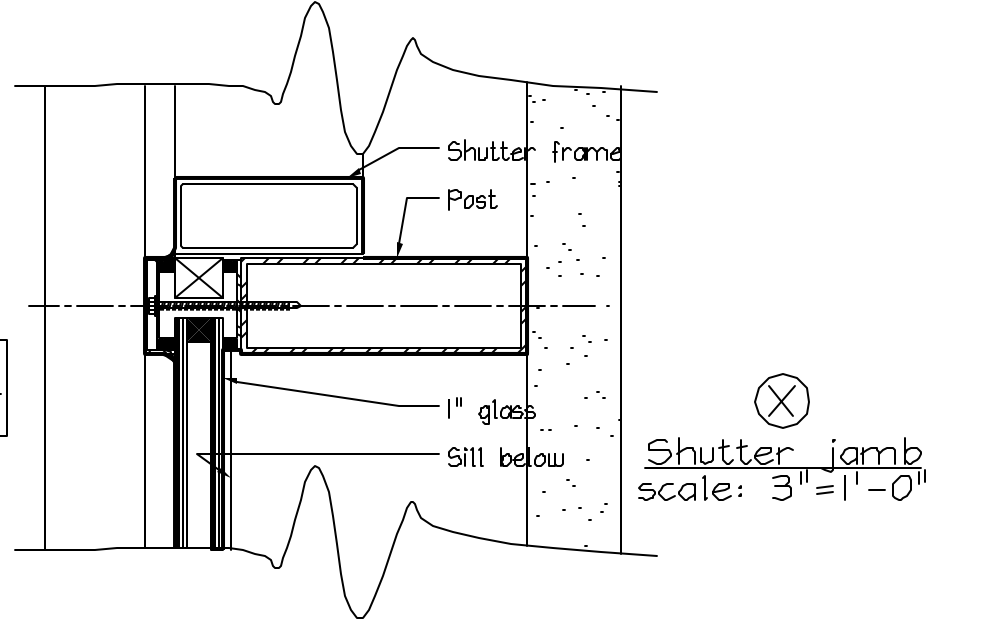
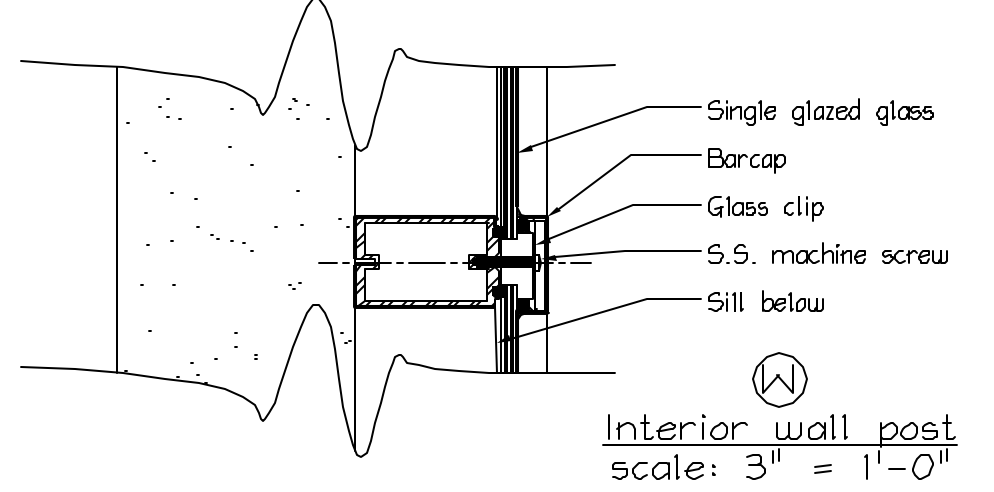
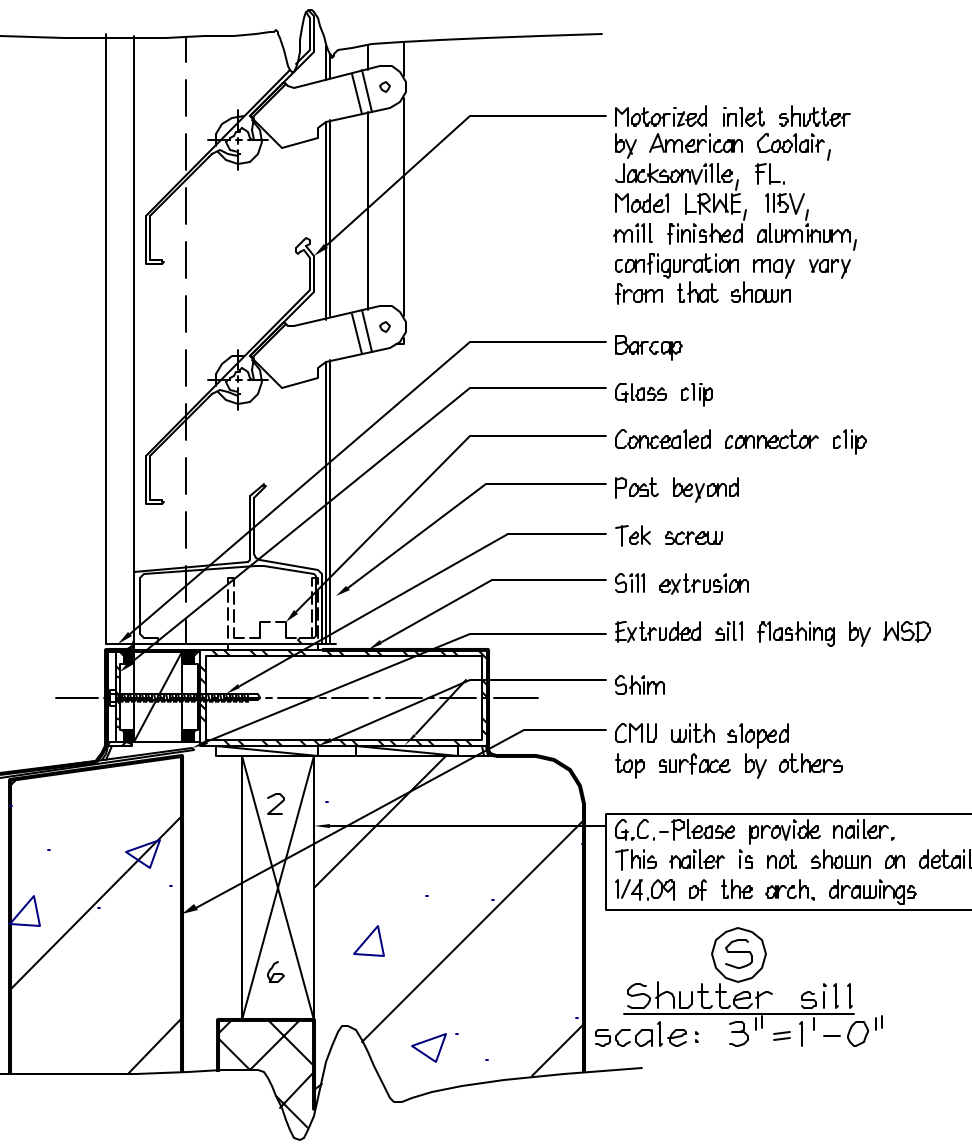
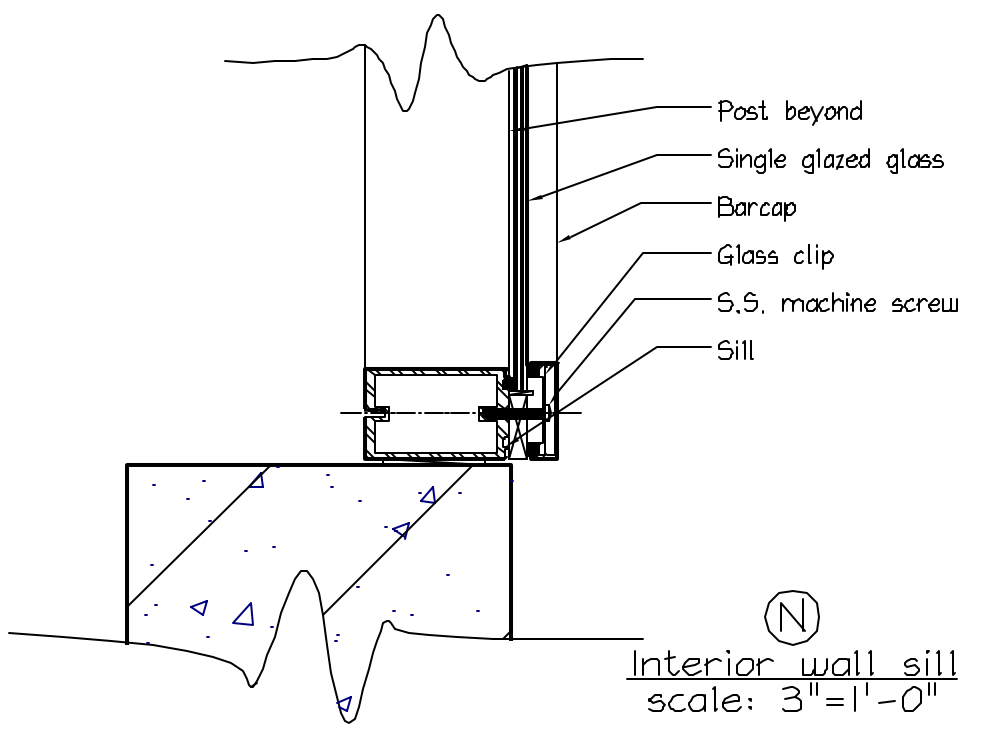
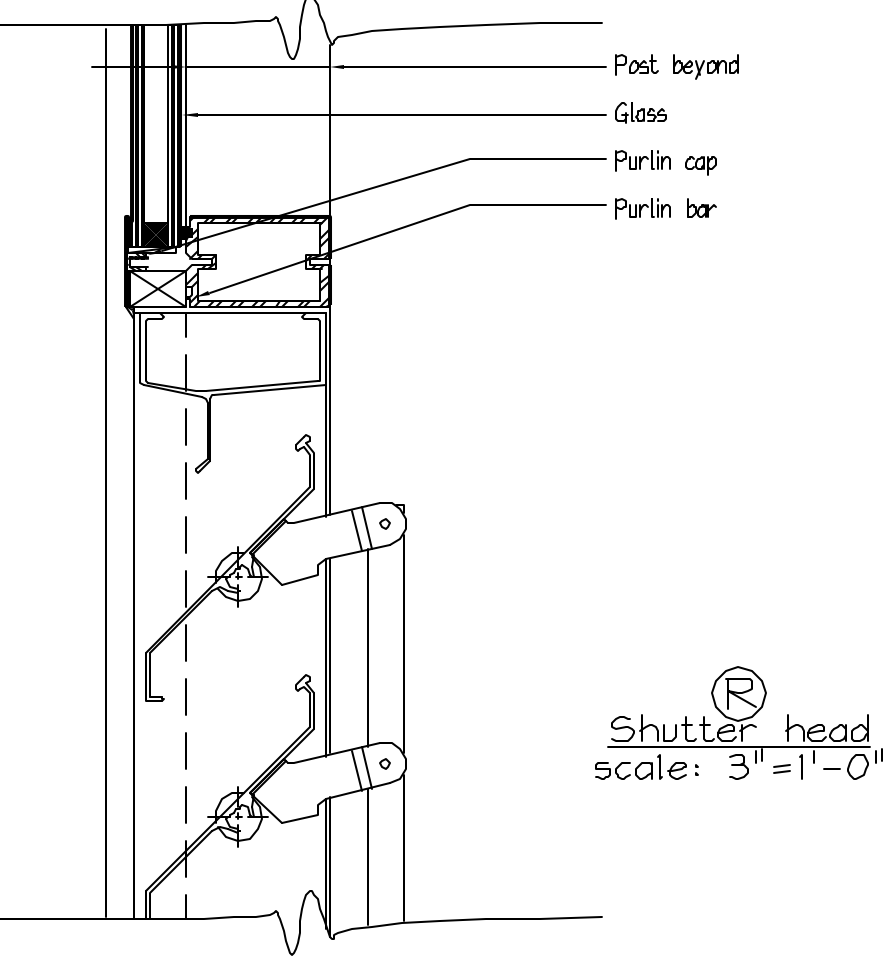
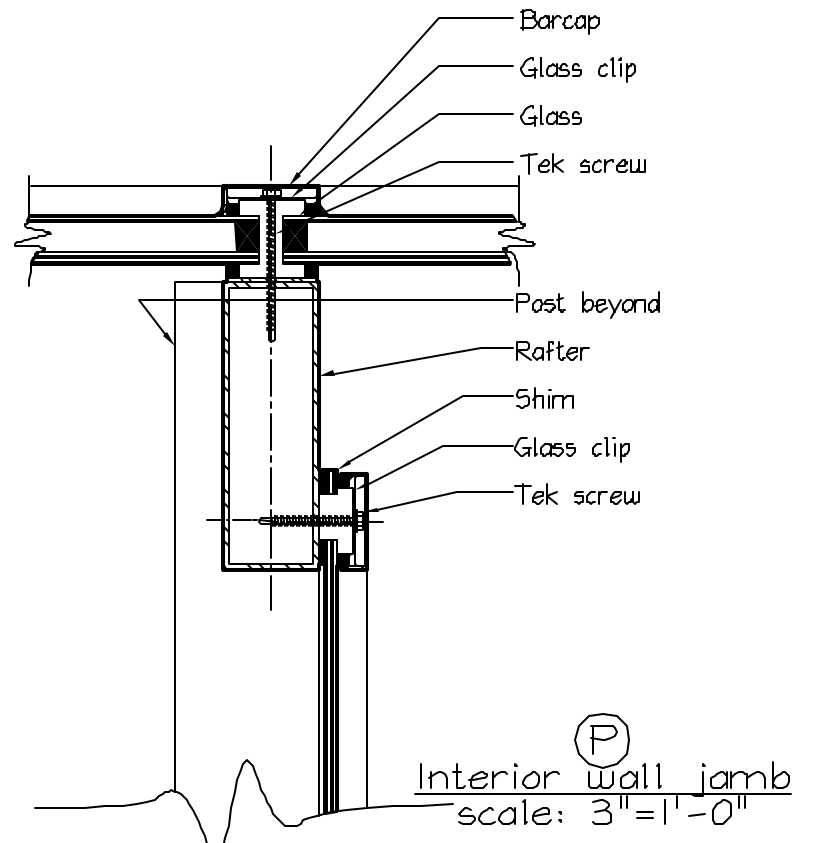
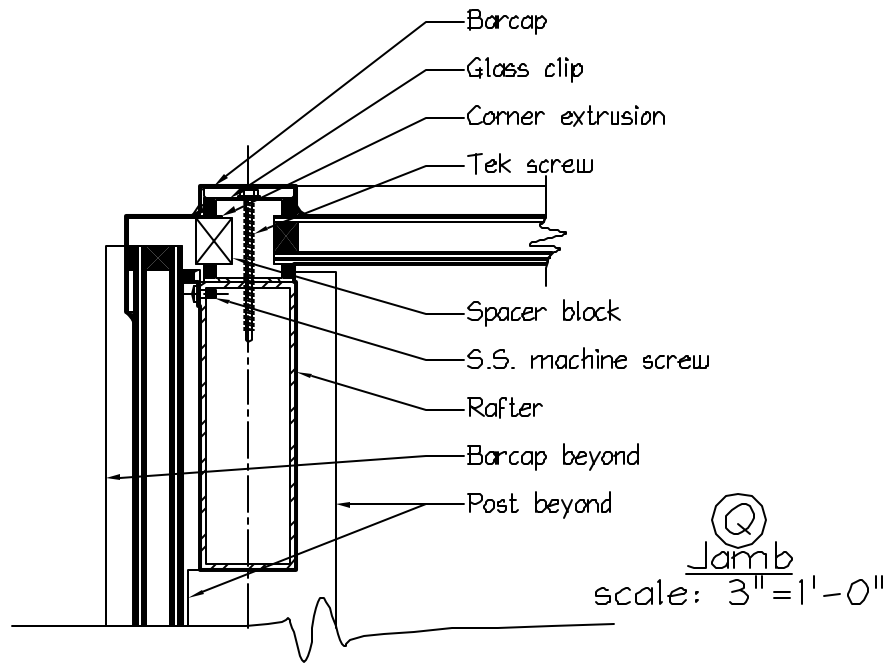
(V) (V)
sim
Interior Door Jamb
3" = 1'-0"

Door Specifications
 Aluminum narrow style swing door in aluminum frame, 1 3/4" thick, 1 1/2 pr. hinge BBI279 4 1/2" x 4 1/2". Doors B108A and B110A: Lock CL3410 Newport N2D. Door B109B: Standard Tubelite push-pull, mortise cylinder, closer, threshold, sweep and weatherseal. Metal finish to match greenhouse.

Subcontractor
WISCONSIN SOLAR DESIGN
 6349 Briarcliff Ln., Middleton, WI 53562

General Contractor:
 C D Smith Construction
 889 E Johnson
 Fond du Lac, WI 54935

Project:
 UW-Fond du Lac
 400 Campus Drive
 Fond du Lac, WI 54935



9 of 9
Issued:
12/14/99

Project:
UW-Fond du Lac
400 Campus Drive
Fond du Lac, WI 54935

General Contractor:
C D Smith Construction
889 E Johnson St.
Fond du Lac, WI 54935

Subcontractor
WISCONSIN SOLAR DESIGN
6349 Briarcliff Ln., Middleton, WI 53562