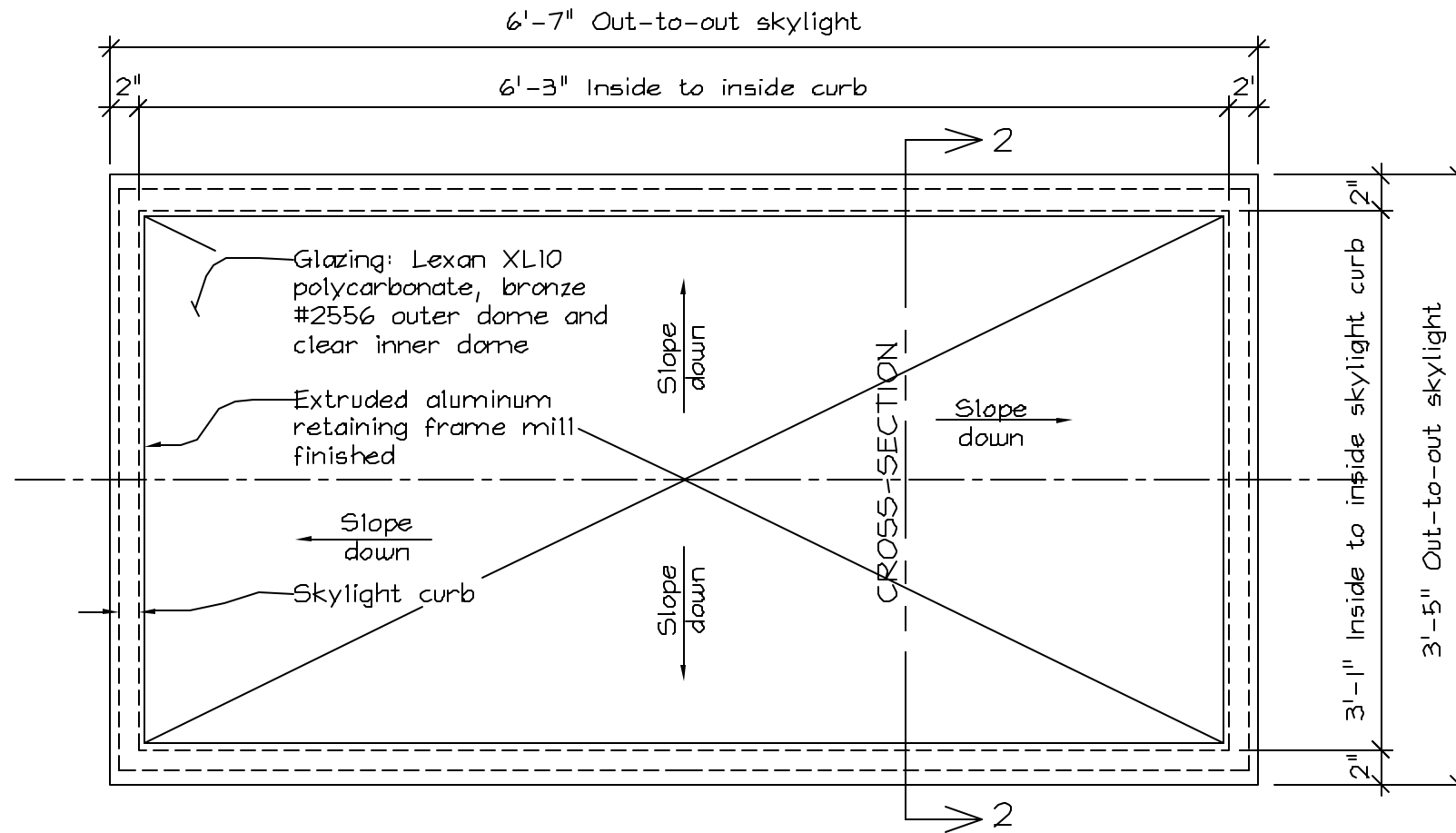


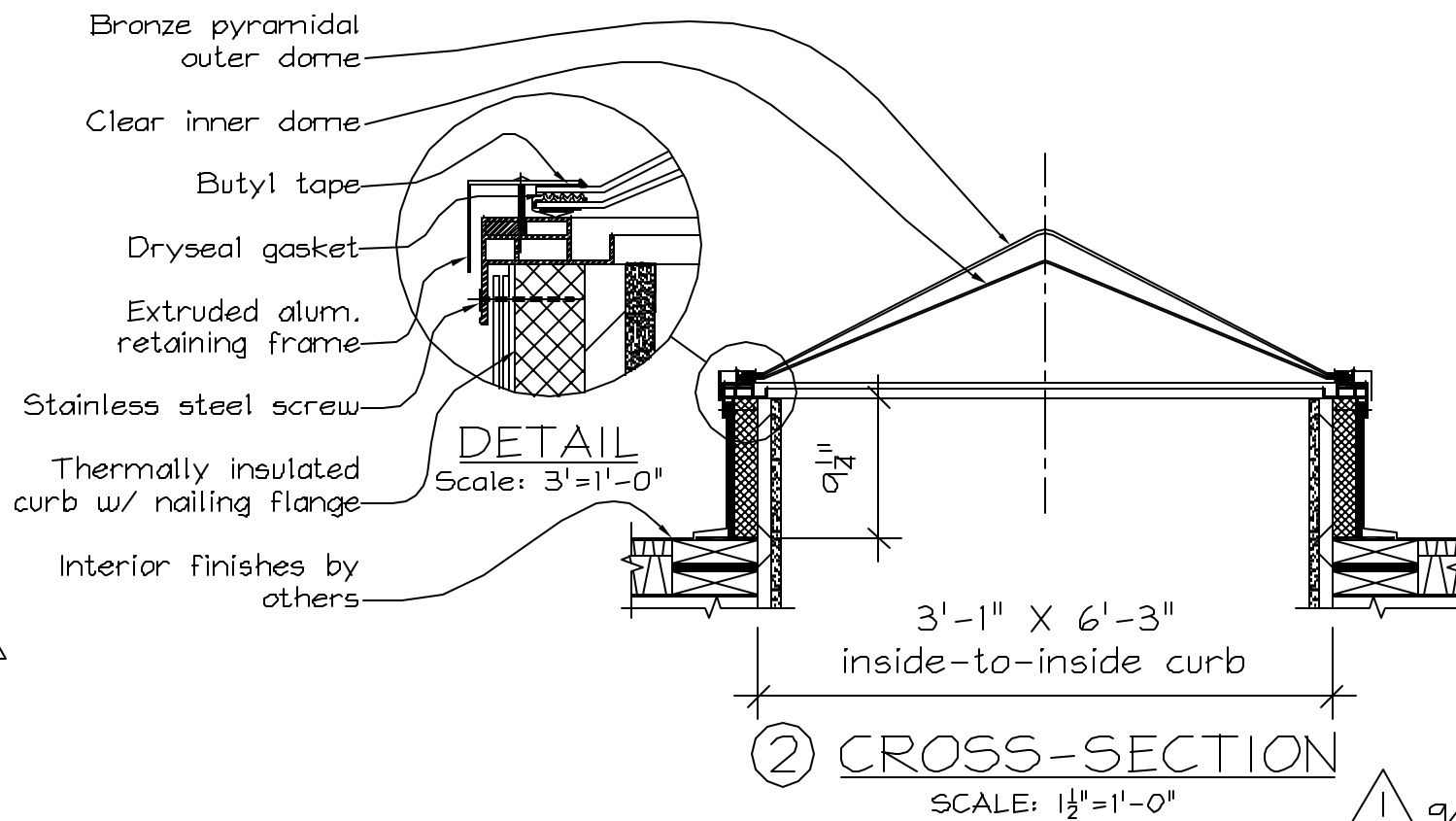
**PARTIAL ROOF PLAN**  
N.T.S.  
North

Wisconsin Solar Design Plastic Skylight data: Factory assembled, Lexan XL10 polycarbonate glazing, inner dome-colorless translucent, outer dome-bronze #2556, .078" extruded aluminum mill finish thermally broken frame. Skylights completely sealed with neoprene gasket between domes and frame. Designed to meet or exceed 40 psf snow load.



**DOUBLE DOME PLASTIC SKYLIGHT PLAN**

SCALE:  $1\frac{1}{2}'' = 1'-0''$   
2 thus



Manufacturer/Installer:  
**WISCONSIN SOLAR DESIGN**  
6349 Briarcliff Ln., Middleton, WI 53562

General Contractor:  
Christy-Foltz, Inc.  
740 South Main Street  
Decatur, IL 62525

Project:  
Medical Office Building  
St. Mary's Hospital  
Decatur, IL 62525

8 of 8  
Re-issued  
9/10/03

9/10/03 Data added