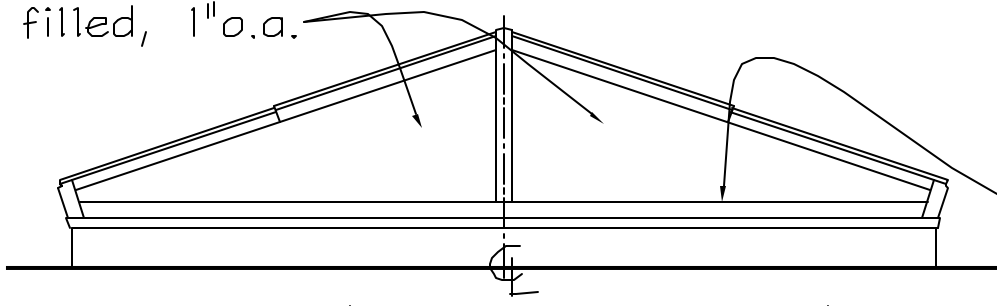


PLAN VIEW
 North scale: 1/2" = 1'
 two skylights as noted

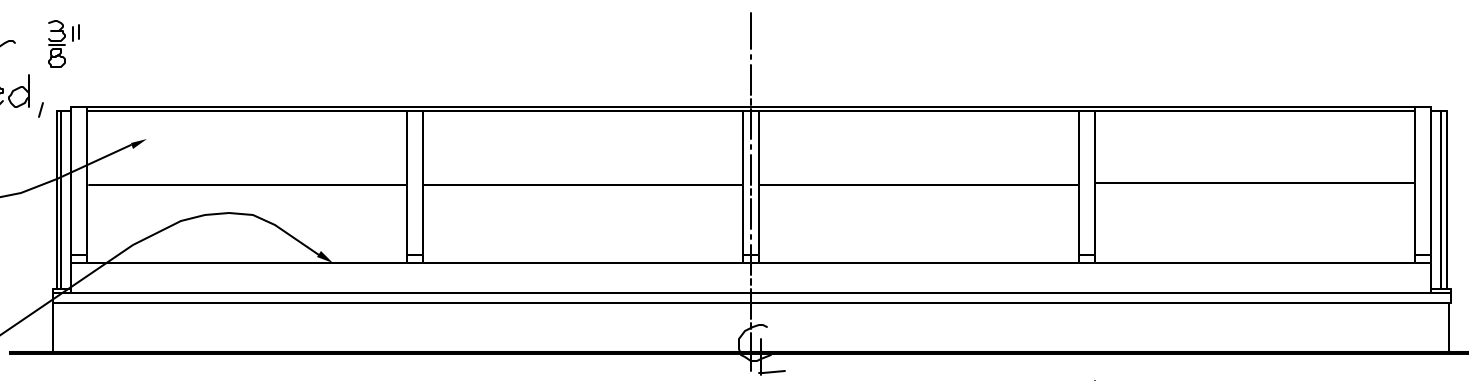
Glass: 1/4" clear
 over 1/4" clear,
 low-e, argon
 filled, 1" o.a.

Glass: 1/4" clear
 tempered over 3/16"
 clear laminated,
 low-e, argon
 filled, 1 1/8" o.a.

Mill finish
 aluminum
 framework



END ELEVATION
 scale: 1/2" = 1'
 four elevations thus



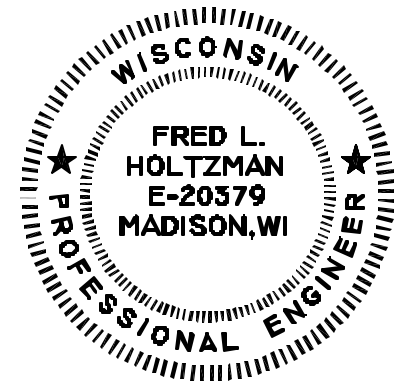
SIDE ELEVATION
 scale: 1/2" = 1'-0"
 four elevations thus

DRAWING APPROVAL: We have reviewed these drawings and approve their use for construction of the skylights. Any comments or suggestions have been added to the drawings.

ACCEPTANCE: _____
 owner

 title

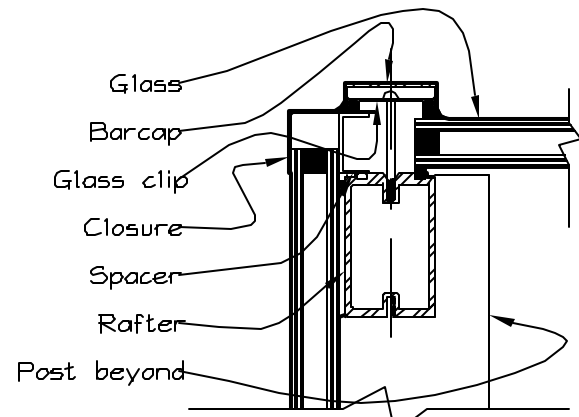
 date



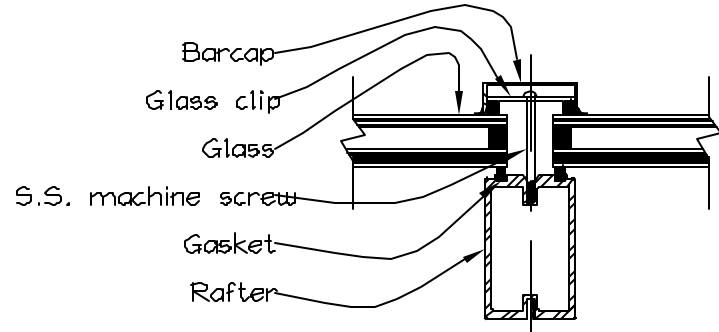
Architect and Contractor:
WISCONSIN SOLAR DESIGN
 6349 Briarcliff Ln., Middleton, WI 53562

Owner:
 Noran Instruments Inc.
 2551 W. Beltline Hwy.
 Middleton, WI 53562

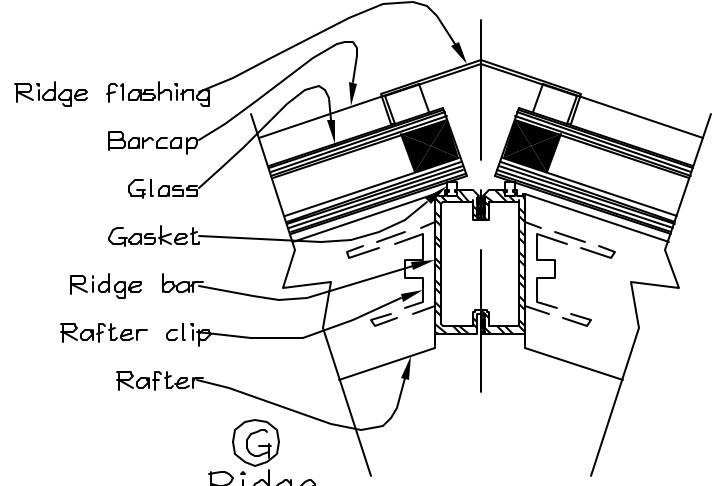
Project:
 Skylight Replacements
 Noran Instruments Inc.



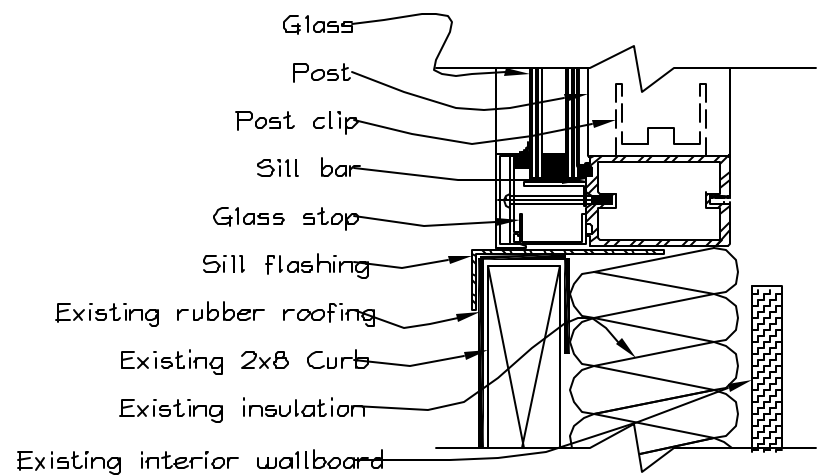
ⓑ Jamb
scale: 3" = 1'-0"



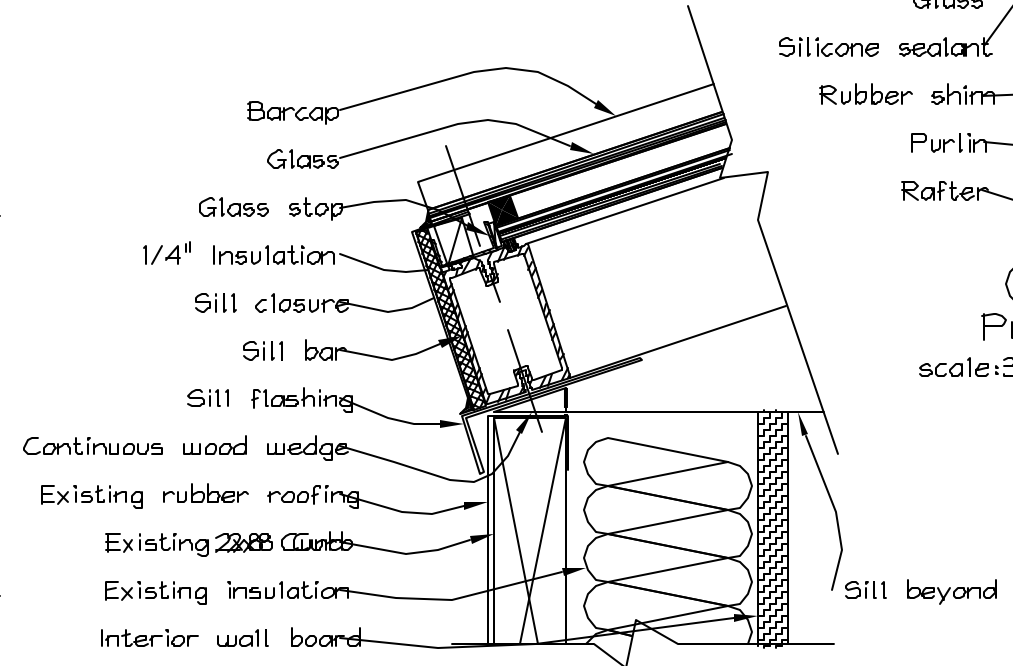
Ⓐ Rafter
scale: 3" = 1'-0"



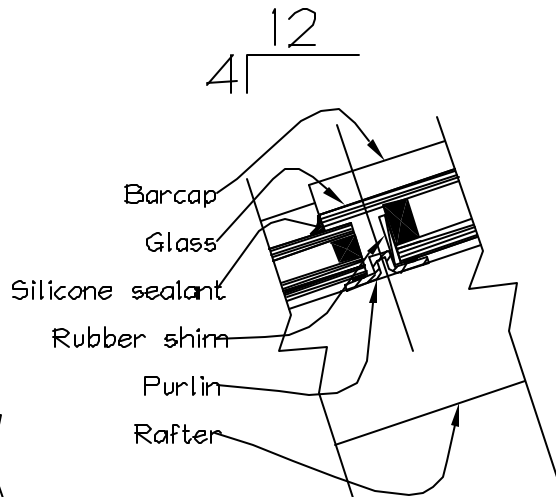
Ⓒ Ridge
scale: 3" = 1'-0"



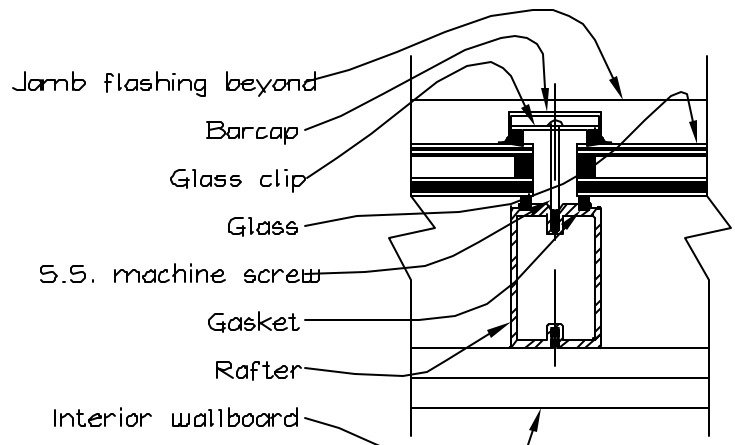
ⓒ Sill
scale: 3" = 1'-0"



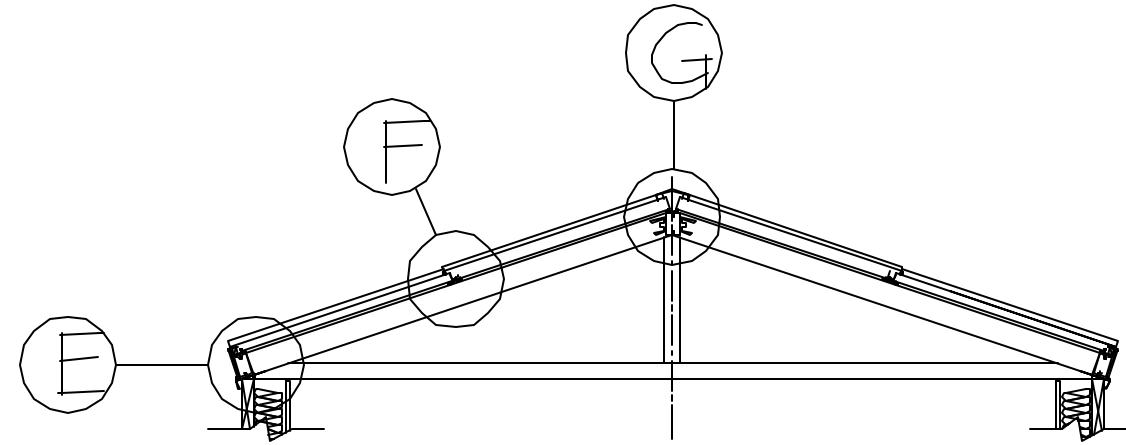
Ⓔ Sill
scale: 3" = 1'-0"



Ⓕ Purlin
scale: 3" = 1'-0"



Ⓖ Post
scale: 3" = 1'-0"



CROSS SECTION 1
scale: 1/2" = 1'-0"

Architect and Contractor:
WISCONSIN SOLAR DESIGN
6349 Briarcliff Ln., Middleton, WI 53562

Owners:
Noran Instruments Inc.
2551 W. Beltline Hwy.
Middleton, WI 53562

Project:
Skylight Replacements
Noran Instruments Inc.

2 of 2
Issued:
08/23/00