

SKYLIGHT SHOP DRAWINGS

Iola Living Oaks Assisted Living

ARCHITECT:
 Hoffman LLC
 PO Box 8034
 Appleton, WI 54912

Manufacturer/Installer:
WISCONSIN SOLAR DESIGN
 6349 Briarcliff Ln., Middleton, WI 53562

PRODUCT DATA

Glass: 1/4" bronze PPG solarcool #2 tempered over 3/8" clear laminated with an air filled interspace, low-e 3, 1 1/4" o.a. thickness. U-value of the glass= 0.29, T= 17%, SHGC= 0.18

Framework: Extruded aluminum framing members and matching flashings. Dark bronze exterior components and copper anodized interior components to match brushed brass, color samples submitted separately.

Warranty: (5) years against defective work including leaks, discoloration, glass seal failure and excessive structural or thermal movement.

INDEX

- 1- Title Page
- 2- Type A & B Skylight Plans
- 3- Type C Skylight Plan & Type A Elevations
- 4- Type B & C Skylight Elevation & Cross Section
- 5- Cross Section and Detail
- 6- Skylight Details

NOTES

1. Please confirm out-to-out curb dimensions noted thus, *, which will be the basis for skylight fabrication. Please hold dimensions to $\pm 1/2$ " of confirmed values.
2. The curb detail shown on page 6 of 6 varies from the project drawings for structural support of the skylight. Please note whether the curb changes are acceptable: Accepted Rejected

DRAWING APPROVAL

We have reviewed these drawings and approve their use for construction of the skylights. Any comments or suggestions have been added to the drawings.

CONSTRUCTION MANAGER:

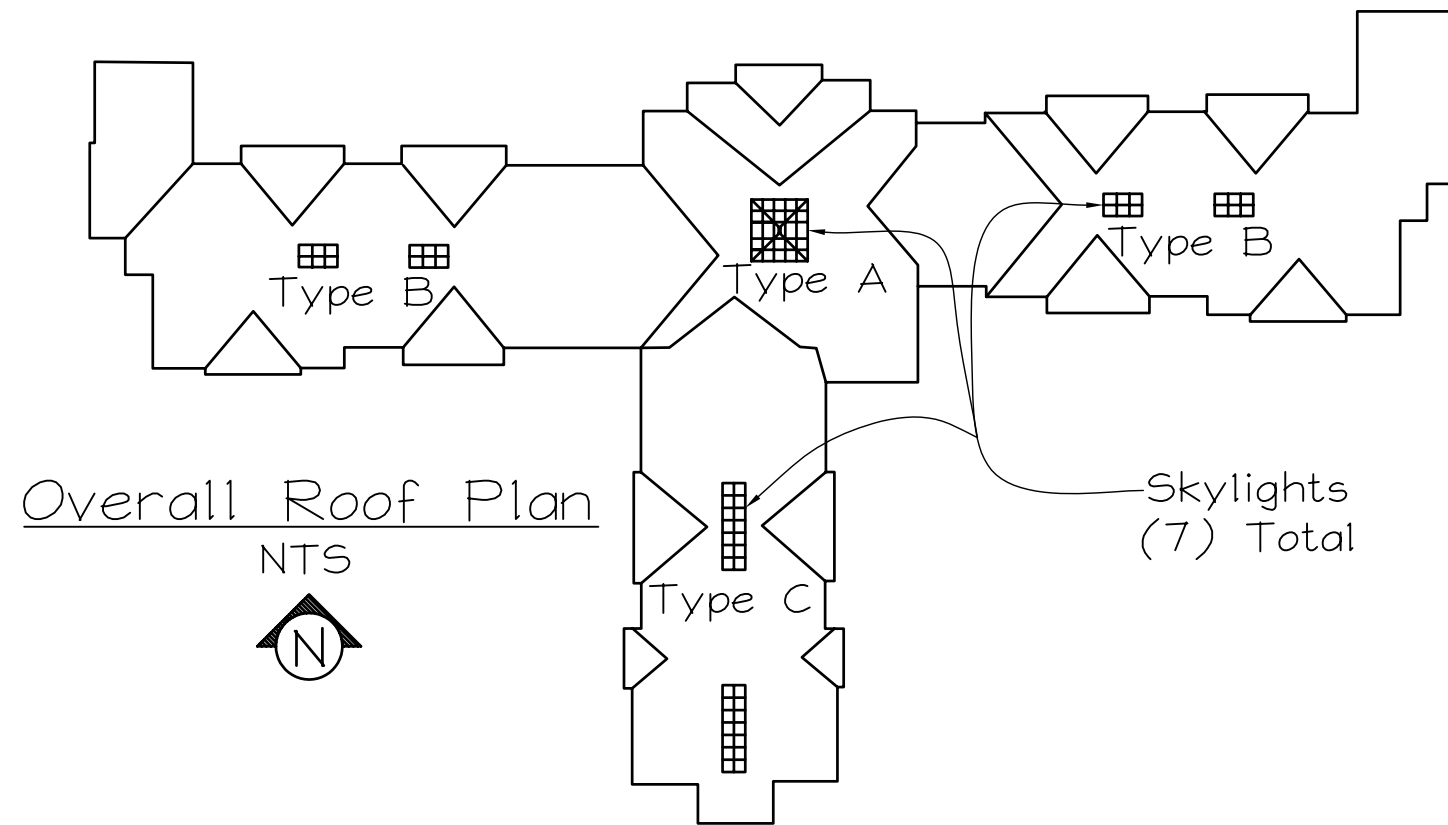
name: _____

title: _____ date: _____

ARCHITECT:

name: _____

title: _____ date: _____



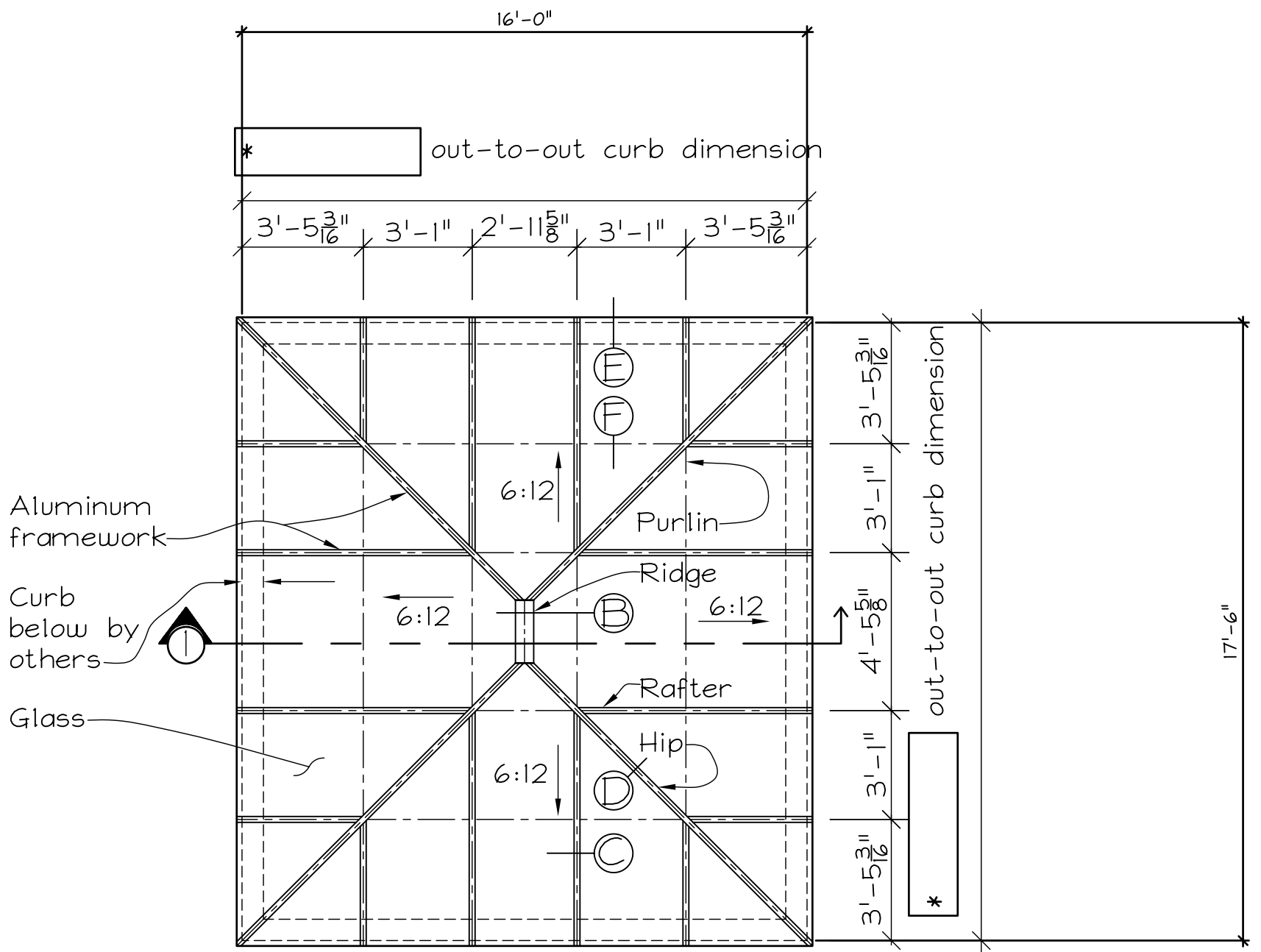
Drawings prepared by
 Ryan Beckman,
 Wisconsin Solar
 Design

WISCONSIN
 FRED L. HOLTZMAN
 E-20379
 MADISON, WI
 PROFESSIONAL ENGINEER

Project:
 Iola Living Oaks Assisted Living
 185 Chet Krause Drive
 Iola, WI 54945

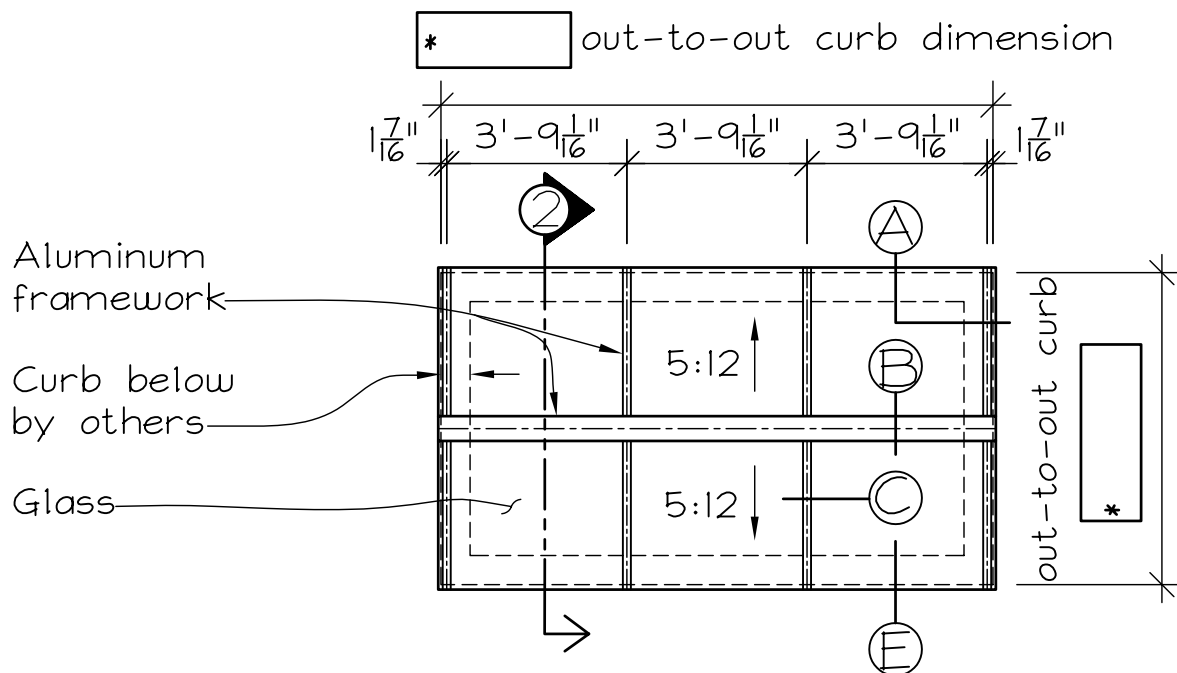
General Contractor:
 Hoffman LLC
 PO Box 8034
 Appleton, WI 54912

1 of 6
 Issued:
 11/16/06



Type A Skylight Plan

Scale 1/4" = 1'-0"
(1) Thus



Type B Skylight Plan

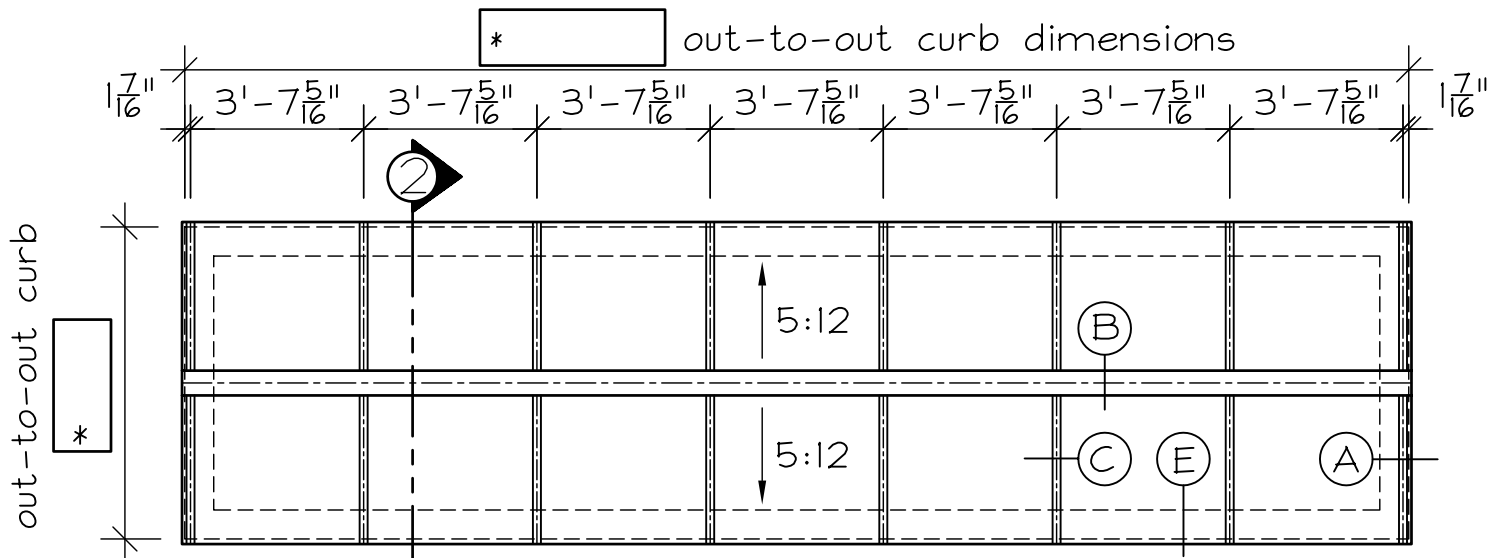
Scale 1/4" = 1'-0"
(4) Thus

Issued:
11/16/06
2 of 6

General Contractor:
Hoffman LLC
PO Box 8034
Appleton, WI 54912

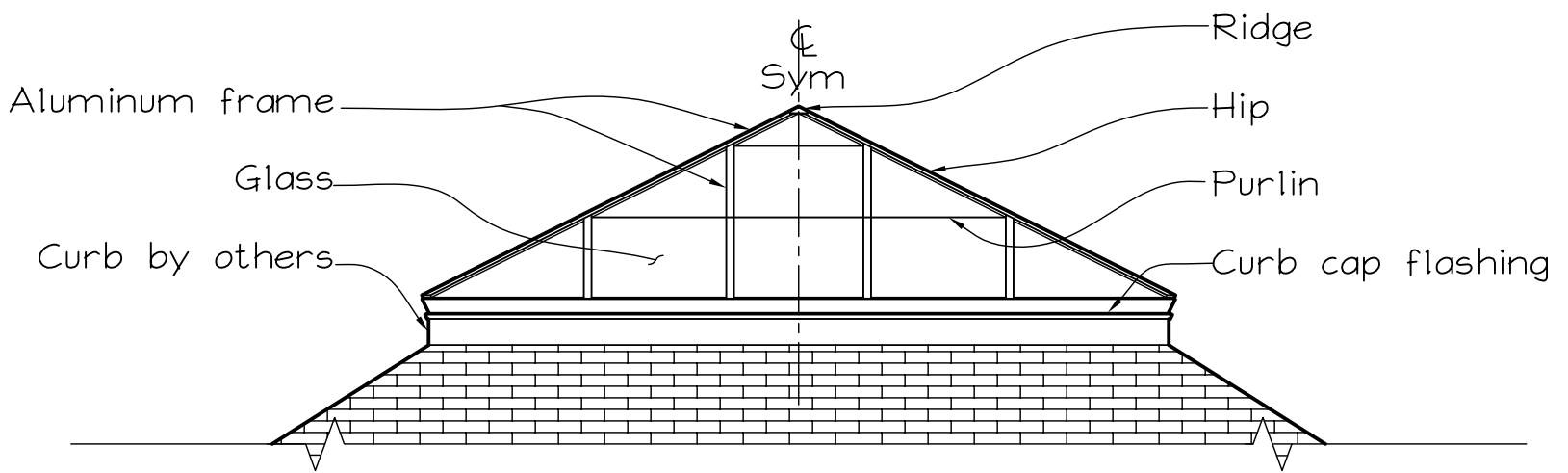
Project:
Iola Living Oaks Assisted Living
185 Chet Krause Drive
Iola, WI 54945

Manufacturer/Installer:
WISCONSIN SOLAR DESIGN
6349 Briarcliff Ln., Middleton, WI 53562



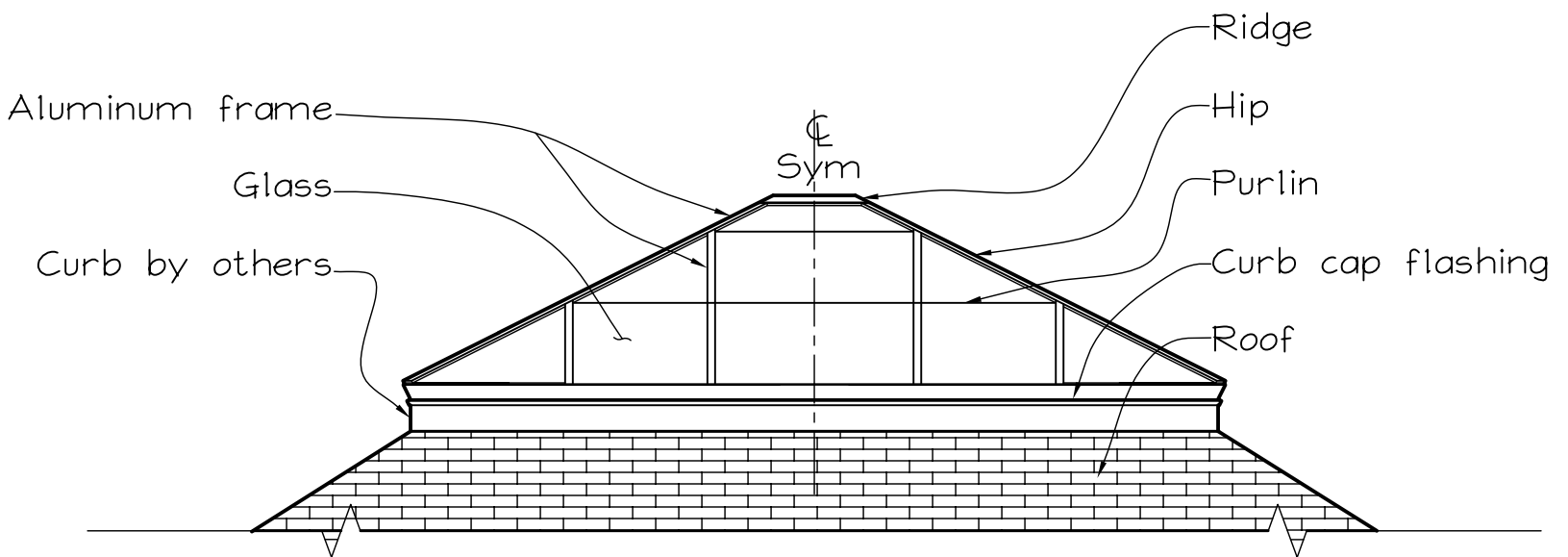
Type C Skylight Plan

Scale $\frac{1}{4}" = 1'-0"$
(2) Thus



Type A Skylight Elevation

North and South
Scale $\frac{1}{4}" = 1'-0"$
(2) Thus



Type A Skylight Elevation

East and West
Scale $\frac{1}{4}" = 1'-0"$
(2) Thus

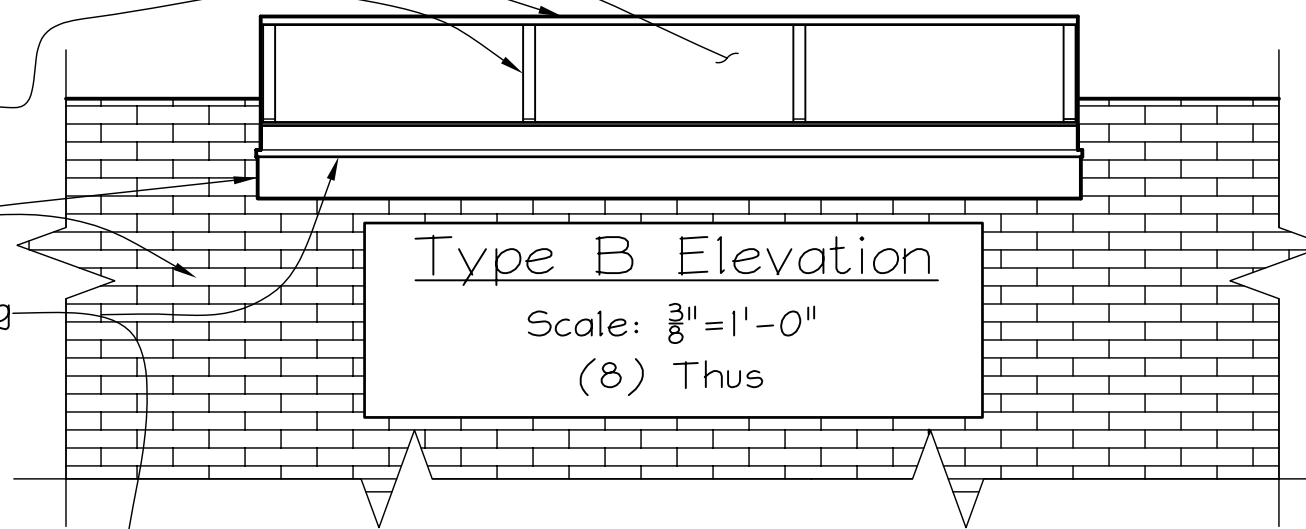
Issued:
11/16/06
Bof

General Contractor:
Hoffman LLC
PO Box 8034
Appleton, WI 54912

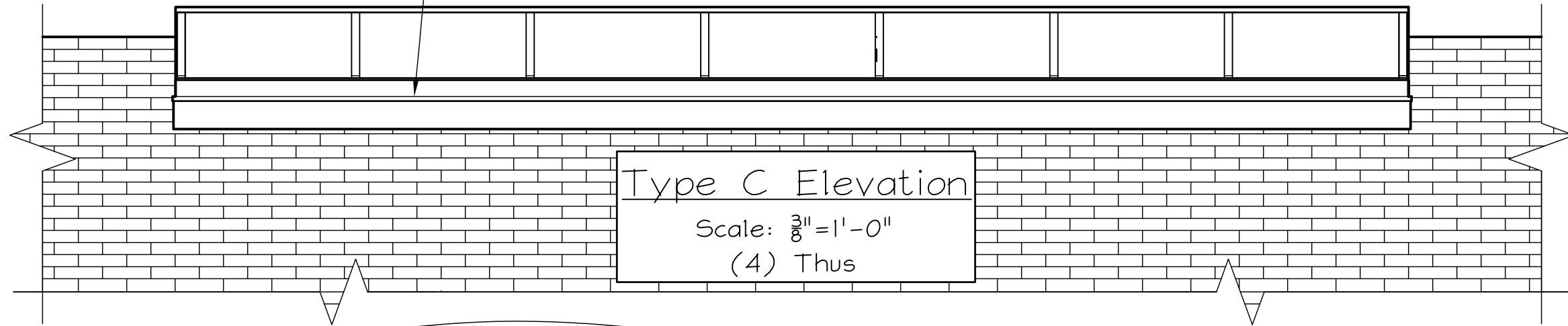
Project:
Iola Living Oaks Assisted Living
185 Chet Krause Drive
Iola, WI 54945

Manufacturer/Installer:
WISCONSIN SOLAR DESIGN
6349 Briarcliff Ln., Middleton, WI 53562

Glass
 Aluminum frame
 Roof and curb
 by others
 Curb cap flashing

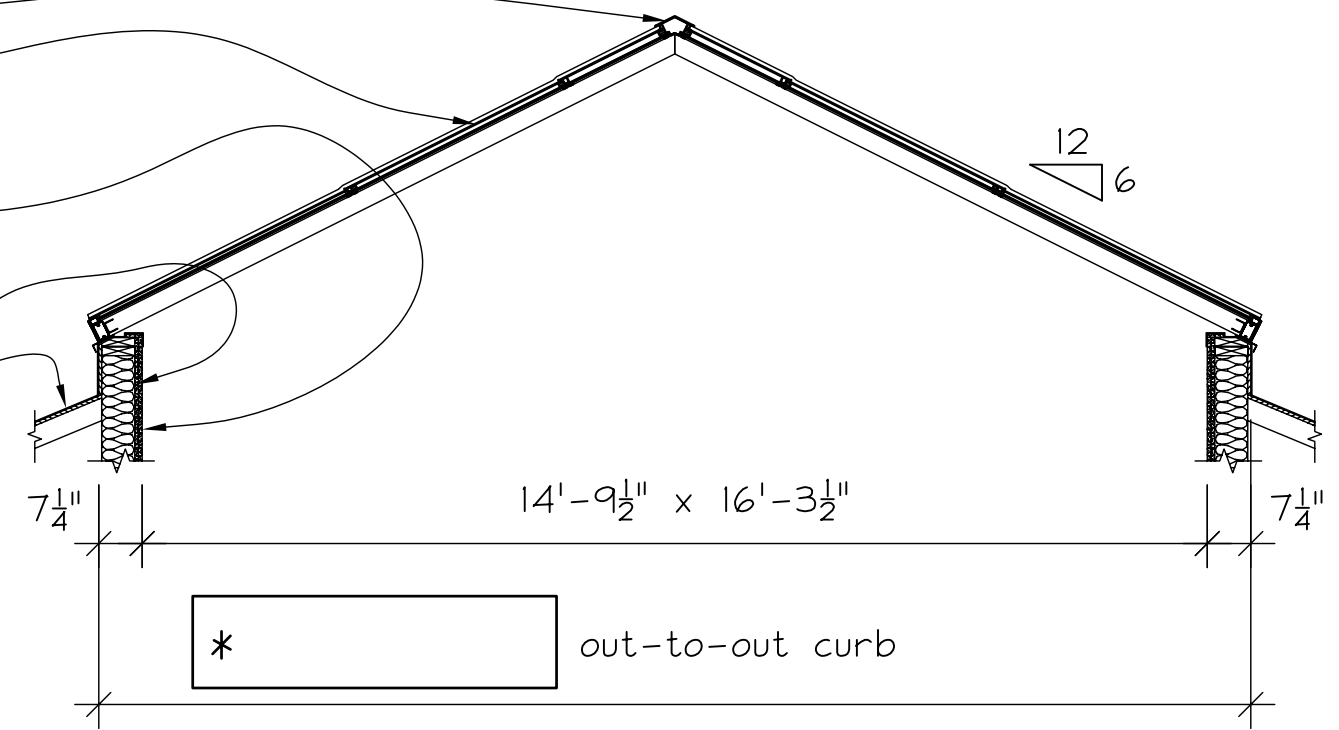


Type B Elevation
 Scale: $\frac{3}{8}'' = 1'-0''$
 (8) Thus



Type C Elevation
 Scale: $\frac{3}{8}'' = 1'-0''$
 (4) Thus

Ridge
 Glass
 Interior finish
 by others
 Curb and roof
 construction
 by others



* out-to-out curb

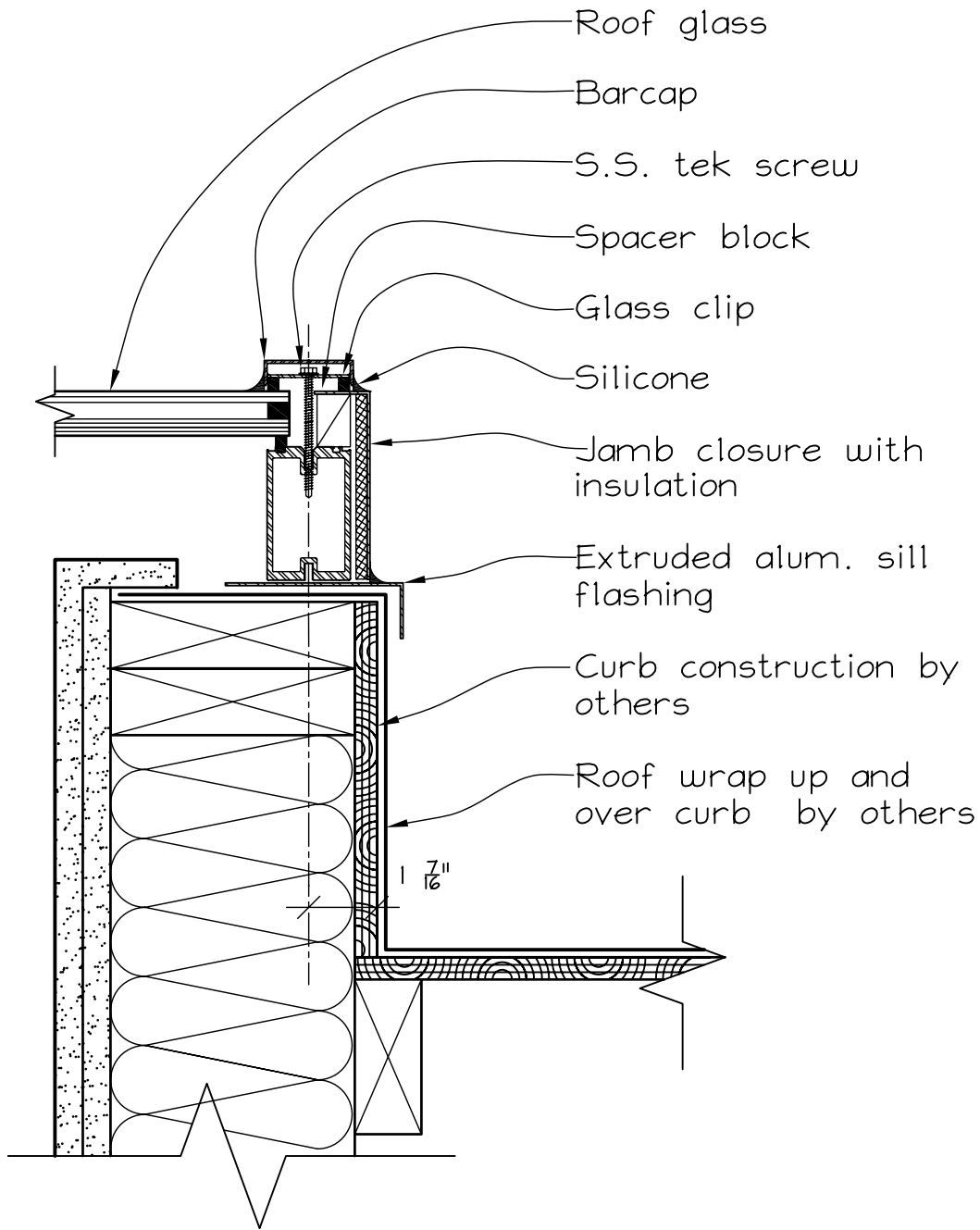
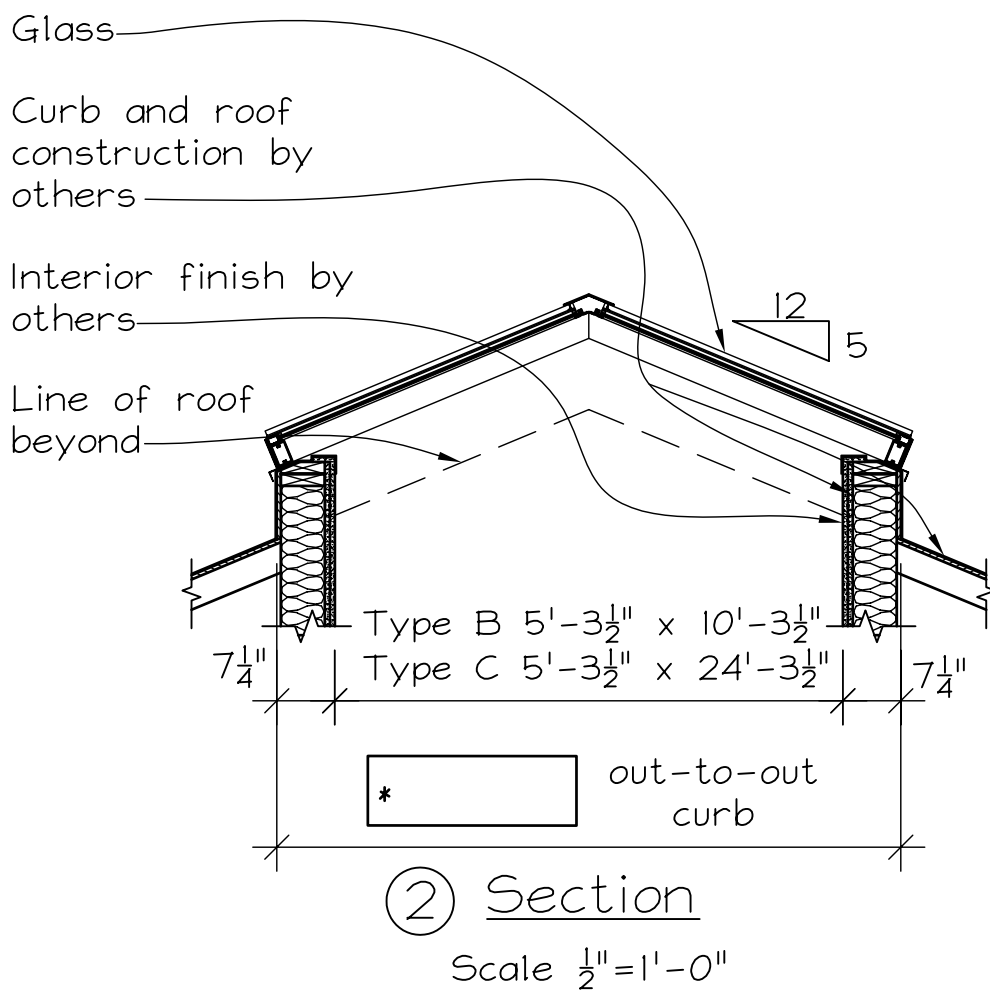
① **Cross Section**
 Scale $\frac{3}{8}'' = 1'-0''$
 (2) Thus

Manufacturer/Installer:
WISCONSIN SOLAR DESIGN
 6349 Briarcliff Ln., Middleton, WI 53562

Project:
 lola Living Oaks Assisted Living
 185 Chet Krause Drive
 lola, WI 54945

General Contractor:
 Hoffman LLC
 PO Box 8034
 Appleton, WI 54912


4 of 6
 Issued:
 11/16/06

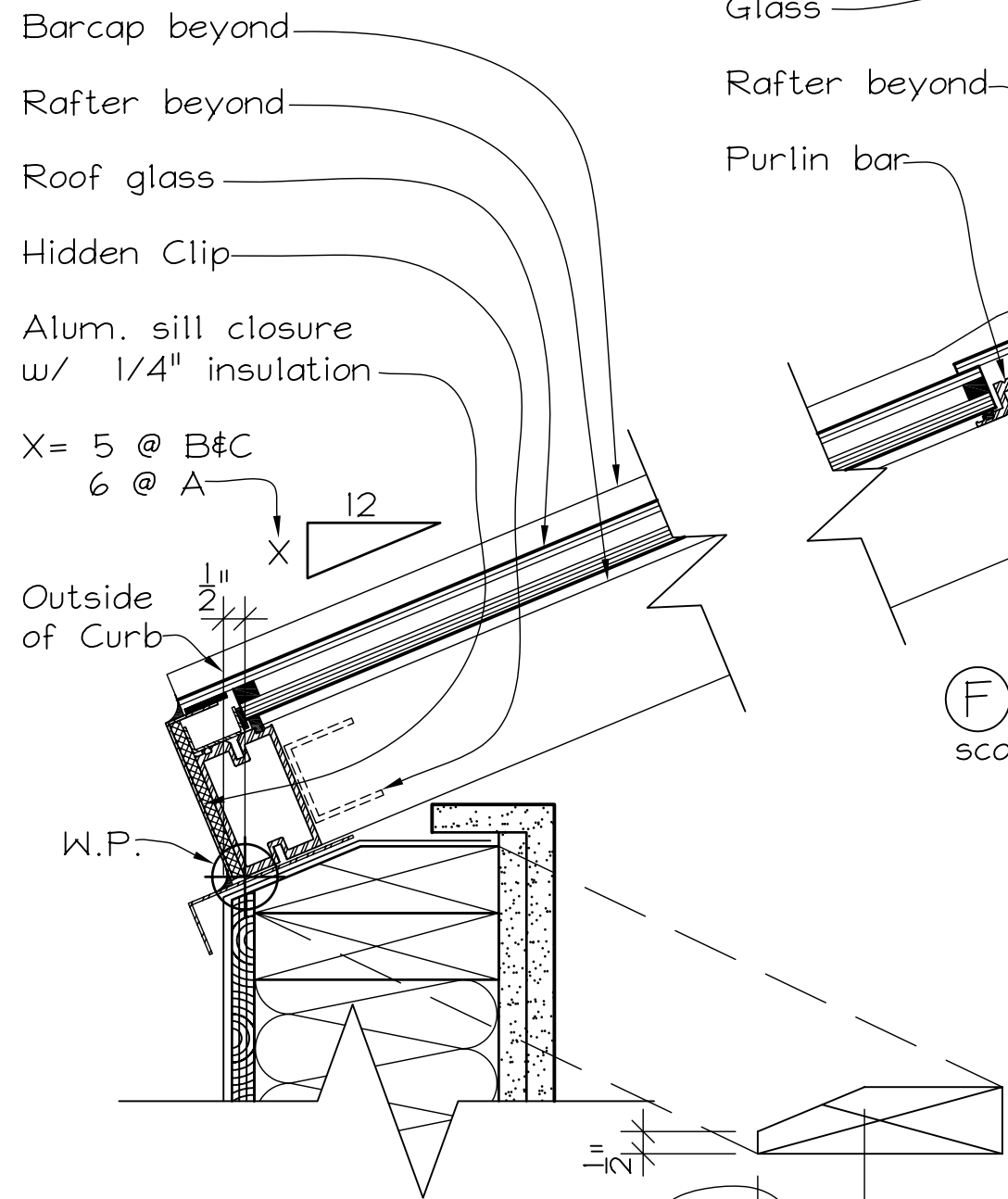


Issued:
11/16/06

General Contractor:
Hoffman LLC
PO Box 8034
Appleton, WI 54912

Project:
Iola Living Oaks Assisted Living
185 Chet Krause Drive
Iola, WI 54945

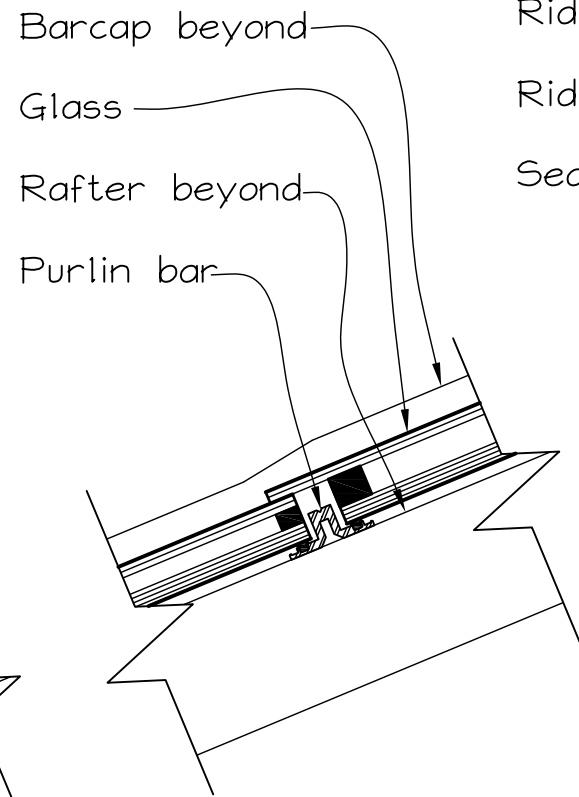
Manufacturer/Installer:

WISCONSIN SOLAR DESIGN
 6349 Briarcliff Ln., Middleton, WI 53562



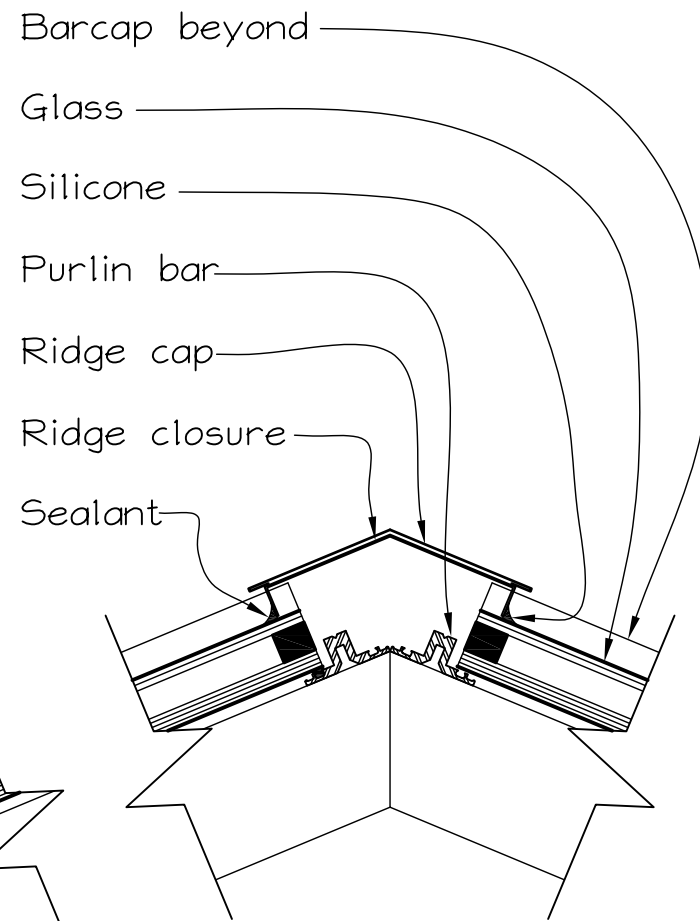
(E) Sill
scale: 3" = 1'-0"

$1 \frac{15}{16}$ " @ A
 $2 \frac{3}{8}$ " @ B,C

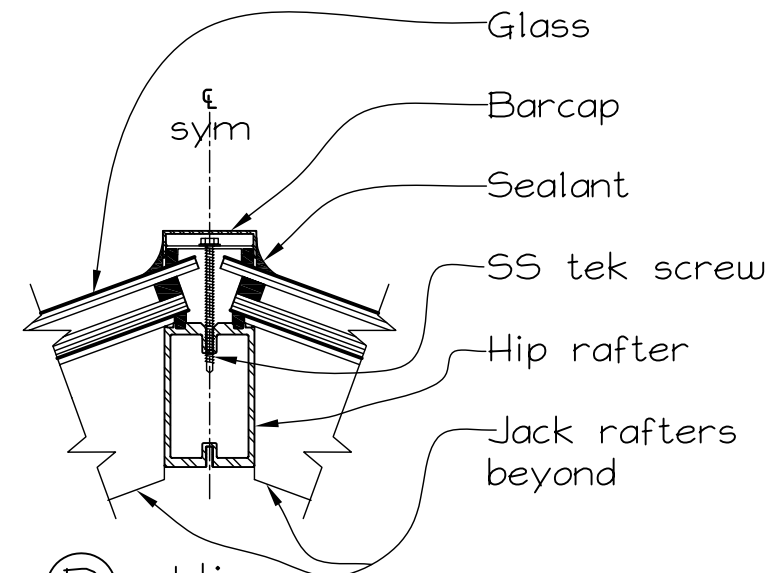
G.C.: Please provide a chamfered curb as shown.



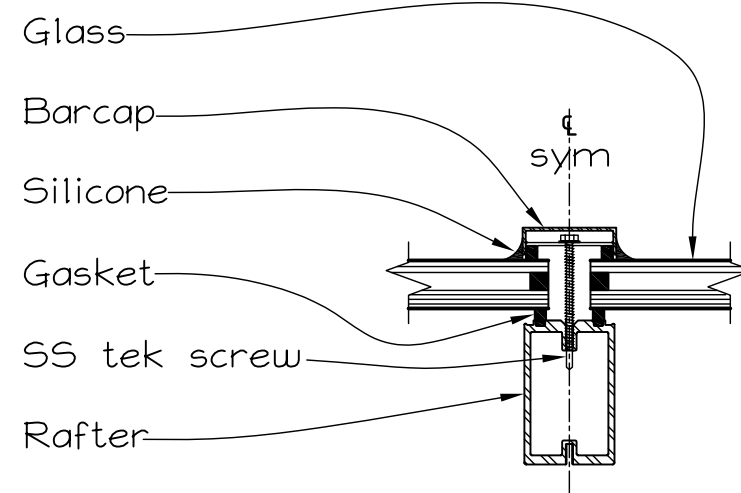
(F) Purlin
scale: 3" = 1'-0"



(B) Ridge
scale: 3" = 1'-0"



(D) Hip
scale: 3" = 1'-0"



(C) Rafter
scale: 3" = 1'-0"

Manufacturer/Installer:
WISCONSIN SOLAR DESIGN
 6349 Briarcliff Ln., Middleton, WI 53562

Project:
 Iola Living Oaks Assisted Living
 185 Chet Krause Drive
 Iola, WI 54945

General Contractor:
 Hoffman LLC
 PO Box 8034
 Appleton, WI 54912

6 of 6
 Issued:
 11/16/06