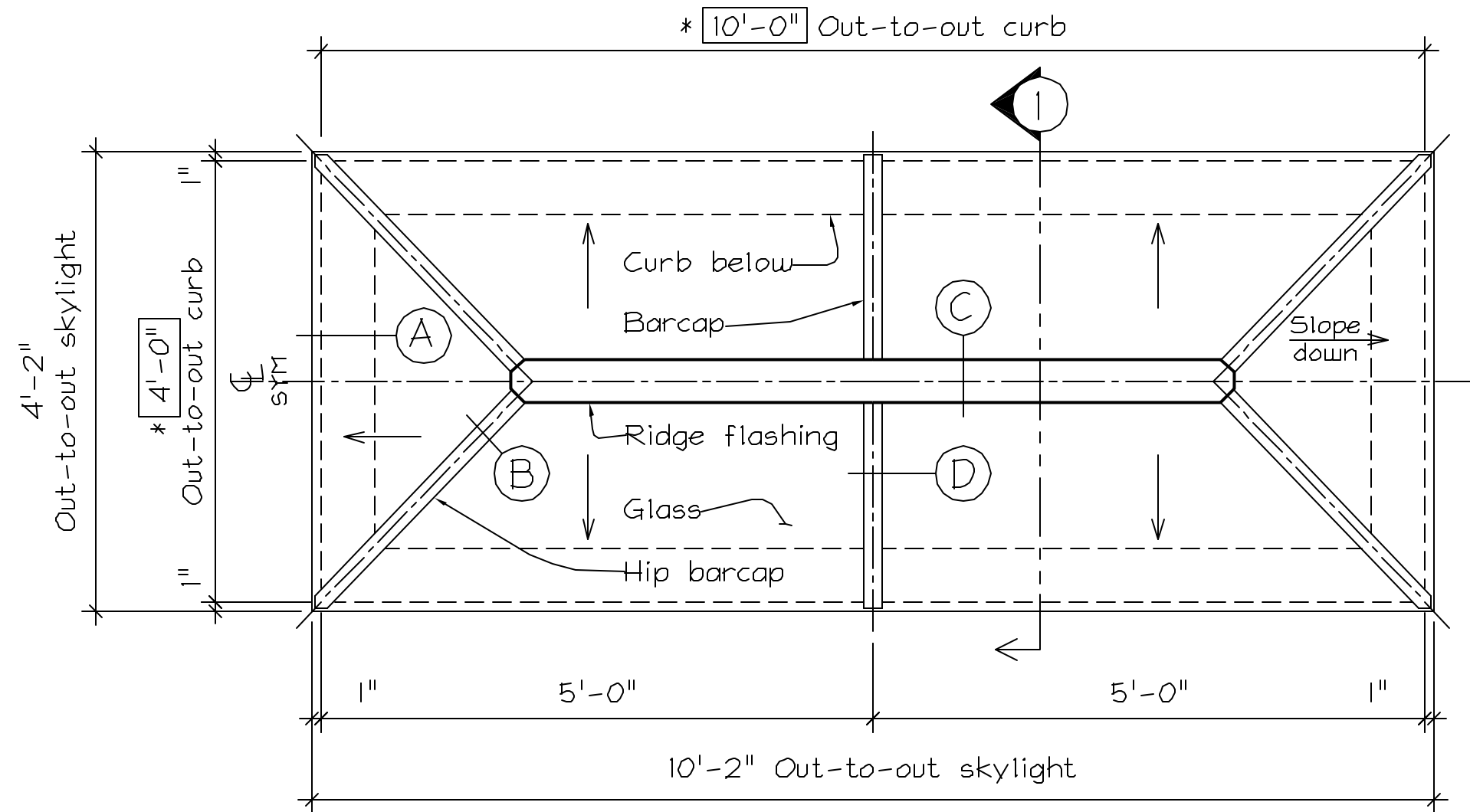
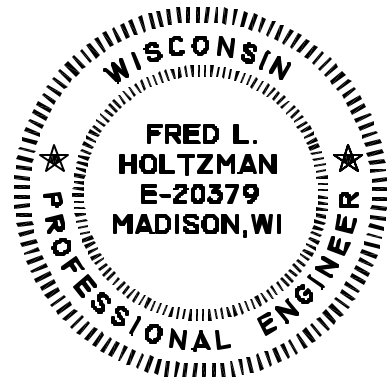


# C.R.W. INSURANCE & FINANCIAL SERVICES SKYLIGHT SHOP DRAWINGS



## PLAN-SKYLIGHT

scale: 3/4" = 1'-0"  
(4) Thus



G.C.: Please verify all curb dimensions noted \*  $x'-y''$ , and provide an additional sill plate w/ 4:12 chamfer at all curbs. See page 3 of 3, detail (A).

DRAWING APPROVAL: We have reviewed these drawings and approve their use for construction of the skylight. Any comments or suggestions have been added to the drawings.

ACCEPTANCE:

Architect/General Contractor:

name

name

INDEX:

1. Skylight Plan
2. Elevations/X-Section
3. Details

Project address:

1411 Milwaukee Drive  
New Holstein, WI 53061

Manufacturer/Installer:

WISCONSIN SOLAR DESIGN



6349 Briarcliff Ln., Middleton, WI 53562

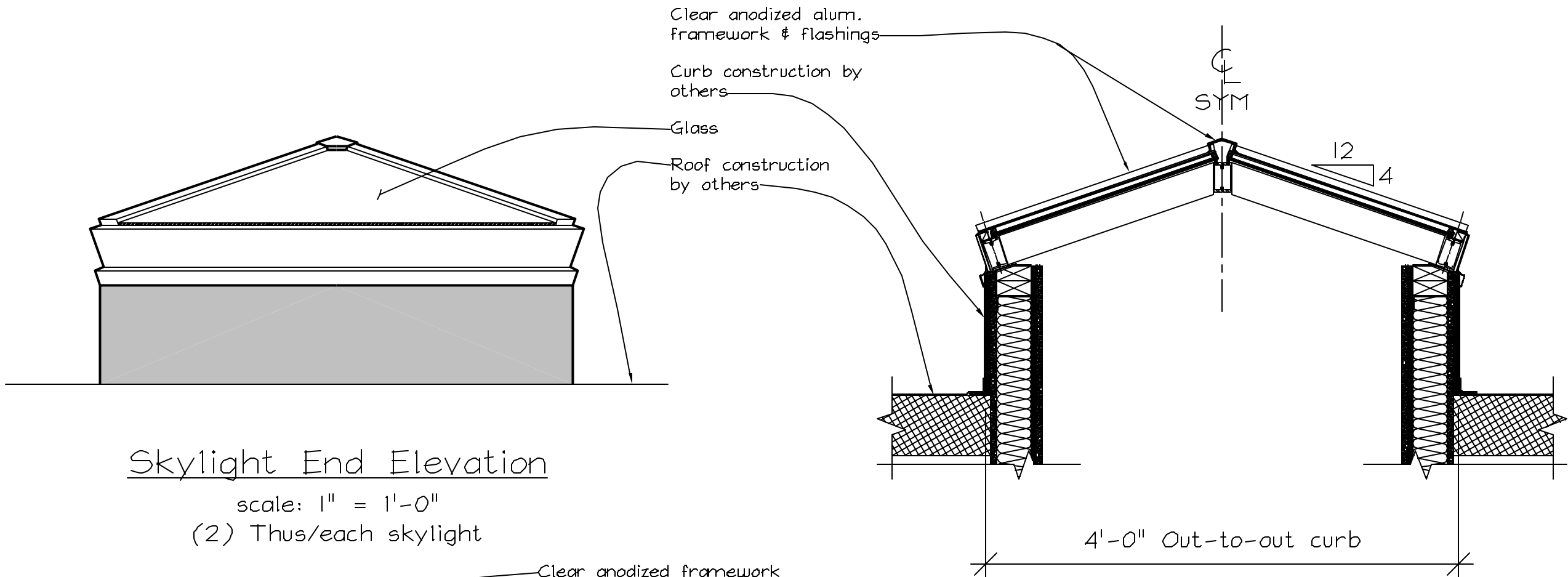
General Contractor:

Parsons Brothers  
N 5435 Lakeshore Drive  
Stockbridge, WI 53088

Architect:

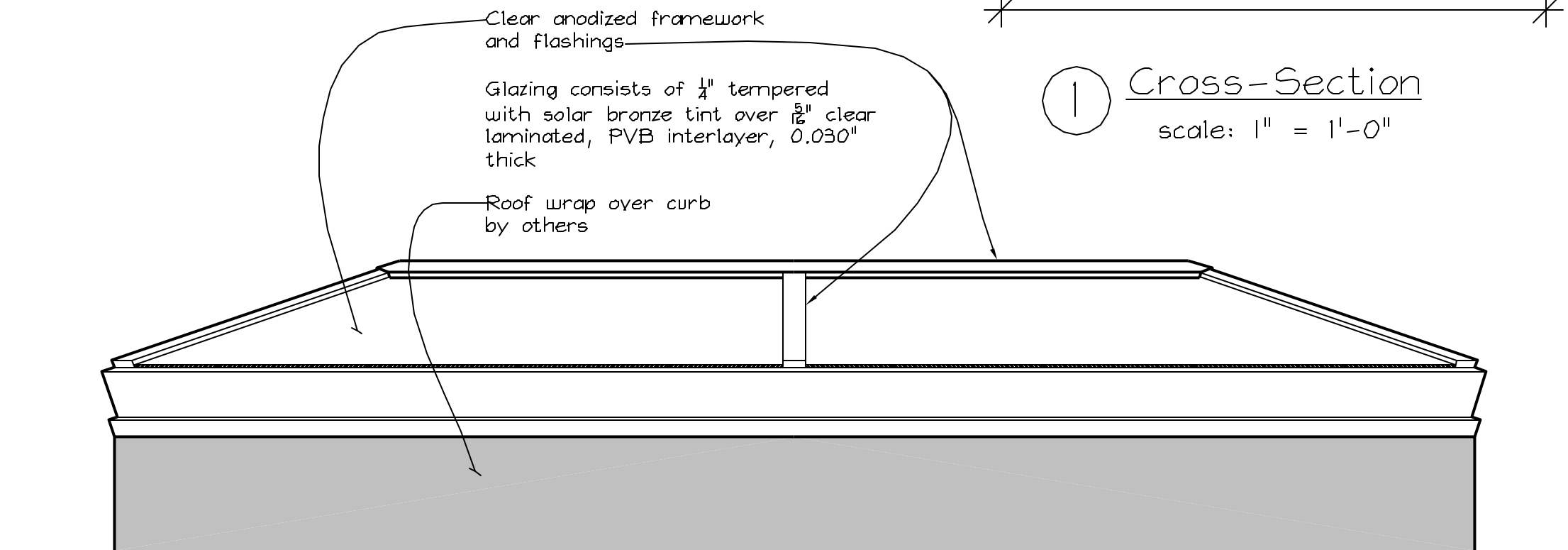
Banco Architects, Inc.  
1720 Memorial Drive  
Manitowoc, WI 54220

1 of 3  
Issued:  
3/12/03



Skylight End Elevation

scale: 1" = 1'-0"  
 (2) Thus/each skylight



Skylight Side Elevation

scale: 1" = 1'-0"  
 (2) Thus/each skylight

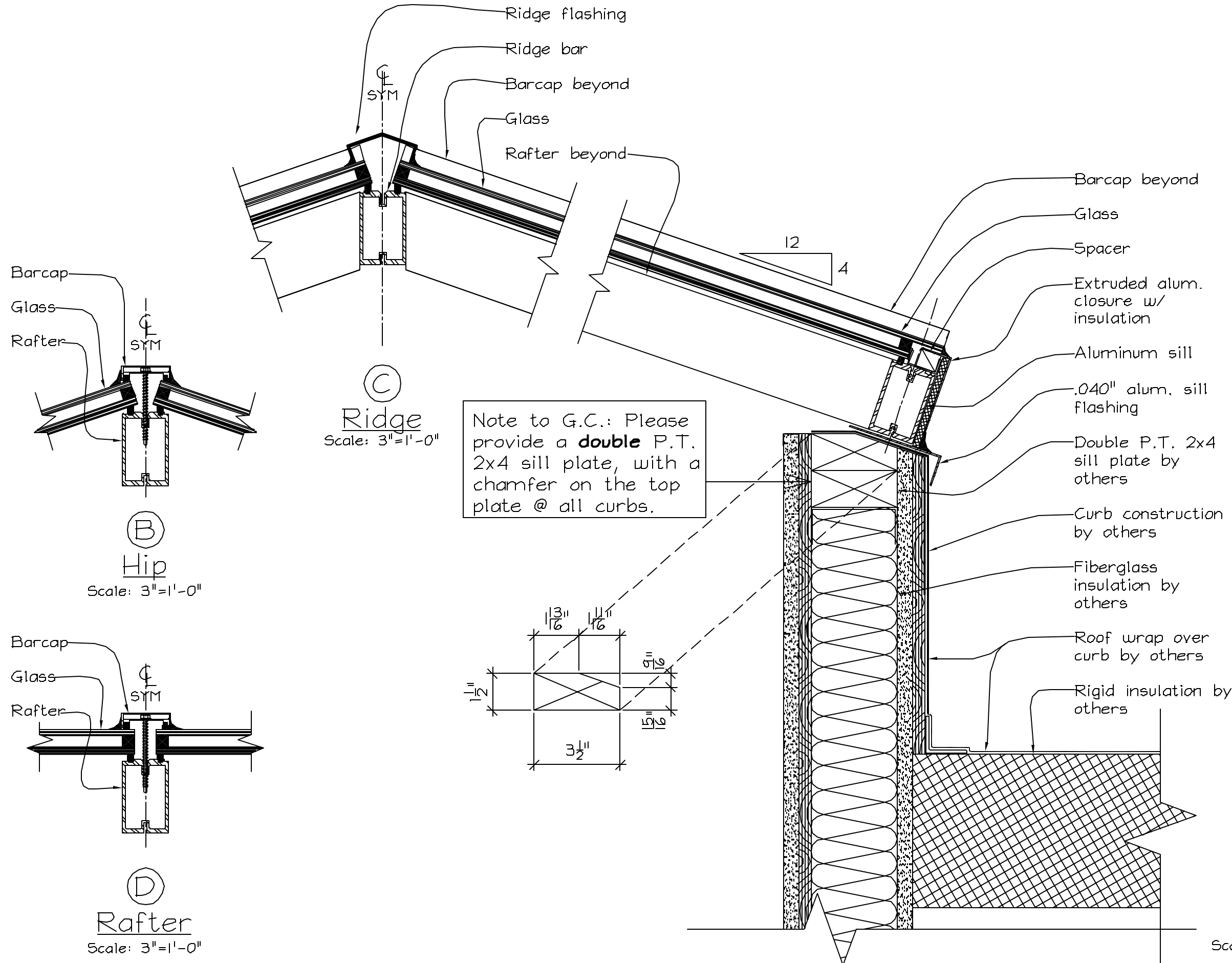
① Cross-Section  
 scale: 1" = 1'-0"

Manufacturer/Installer:  
**WISCONSIN SOLAR DESIGN**  
 6349 Briarcliff Ln., Middleton, WI 53562

General Contractor:  
 Parsons Brothers  
 N 5435 Lakeshore Drive  
 Stockbridge, WI 53088

Architect:  
 Banco Architects, Inc.  
 1720 Memorial Drive  
 Manitowoc, WI 54220

2 of 3  
 Issued:  
 3/12/03



Note to G.C.: Please provide a **double** P.T. 2x4 sill plate, with a chamfer on the top plate @ all curbs.

Manufacturer/Installer:  
**WISCONSIN SOLAR DESIGN**  
 6349 Briarcliff Ln., Middleton, WI 53562

General Contractor:  
 Parsons Brothers  
 N 5435 Lakeshore Drive  
 Stockbridge, WI 53088

Architect:  
 Banco Architects, Inc.  
 1720 Memorial Drive  
 Manitowoc, WI 54220

3 of 3  
 Issued:  
 3/12/03

(A)  
 Sill  
 Scale: 3"=1'-0"

(B)  
 Hip  
 Scale: 3"=1'-0"

(D)  
 Rafter  
 Scale: 3"=1'-0"

(C)  
 Ridge  
 Scale: 3"=1'-0"