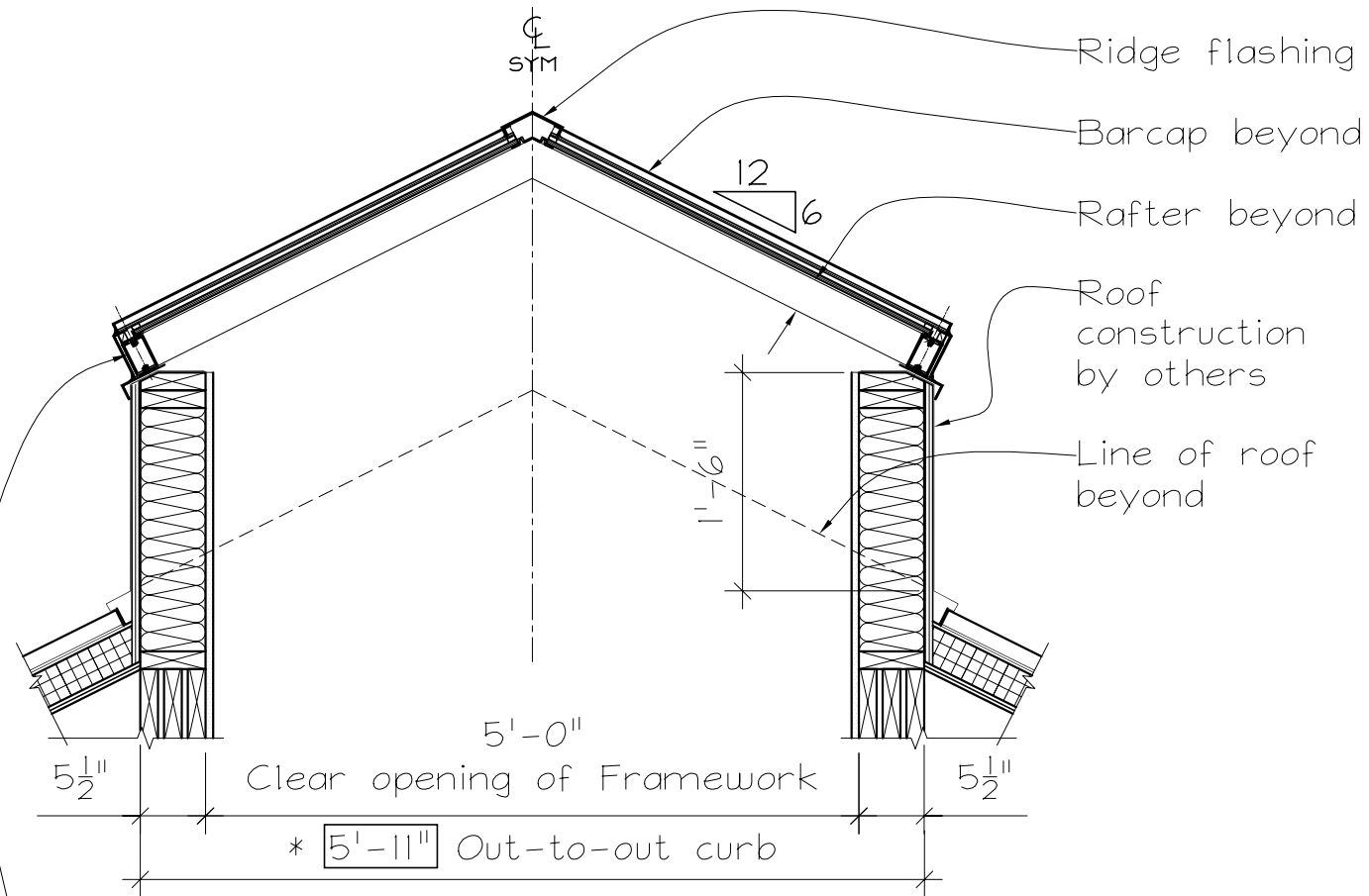


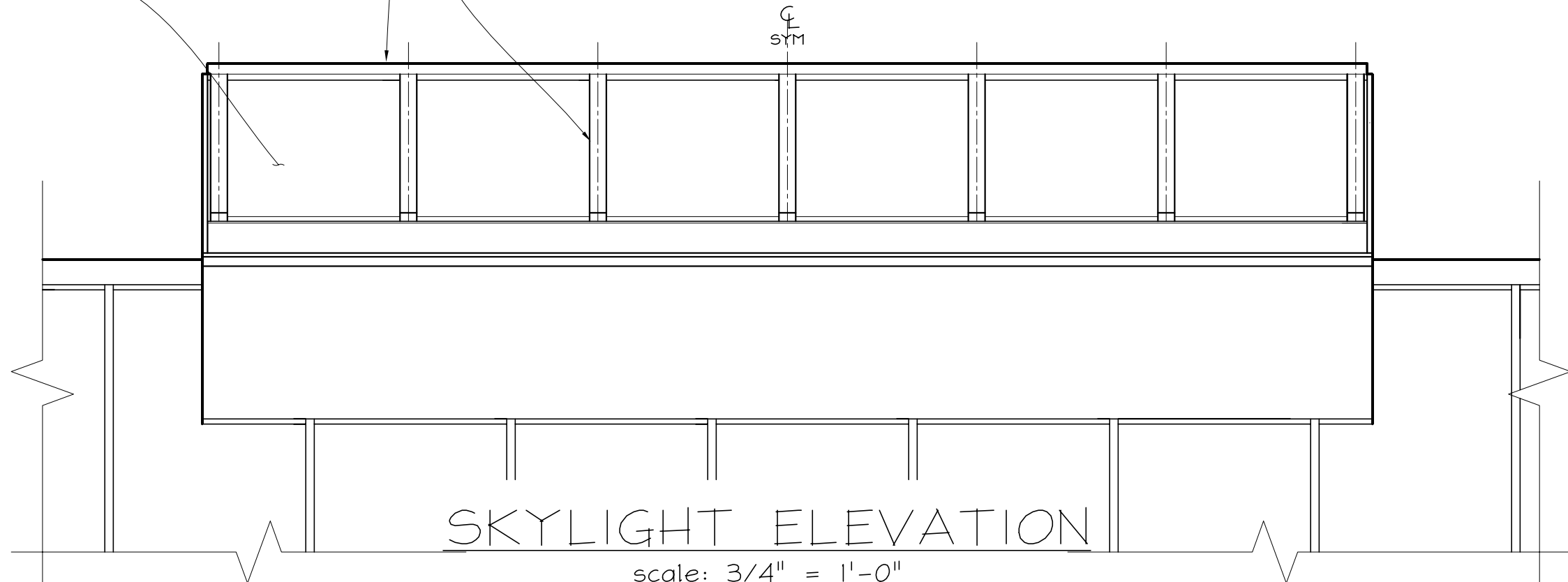
Clear anodized aluminum framework and matching flashings

Glazing consists of $\frac{1}{4}$ " gray tint tempered (.40 transmittance) over $\frac{3}{8}$ " clear lami, PPG solarban-60 low-E coat on surface #2, argon gas.



① CROSS-SECTION

scale: $\frac{3}{4}$ " = 1'-0"



SKYLIGHT ELEVATION

scale: $\frac{3}{4}$ " = 1'-0"

(2) thus

Manufacturer/Installer:

WISCONSIN SOLAR DESIGN

6349 Briarcliff Ln., Middleton, WI 53562

General Contractor:

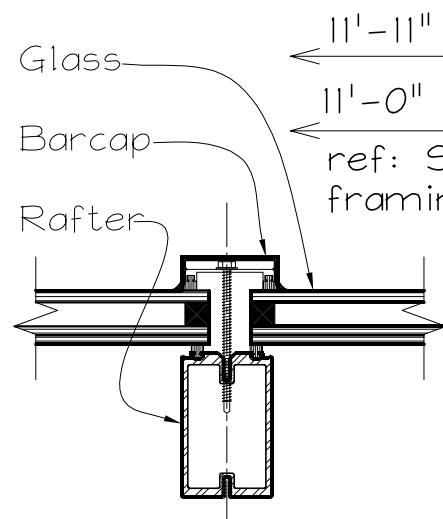
Hoffman Corporation
N434 Greenville Center
Appleton, WI 54914

Owner:

Biolife Plasma Services L.P.
1435 Lake Cook Rd. LC11-2
Deerfield, IL 60015

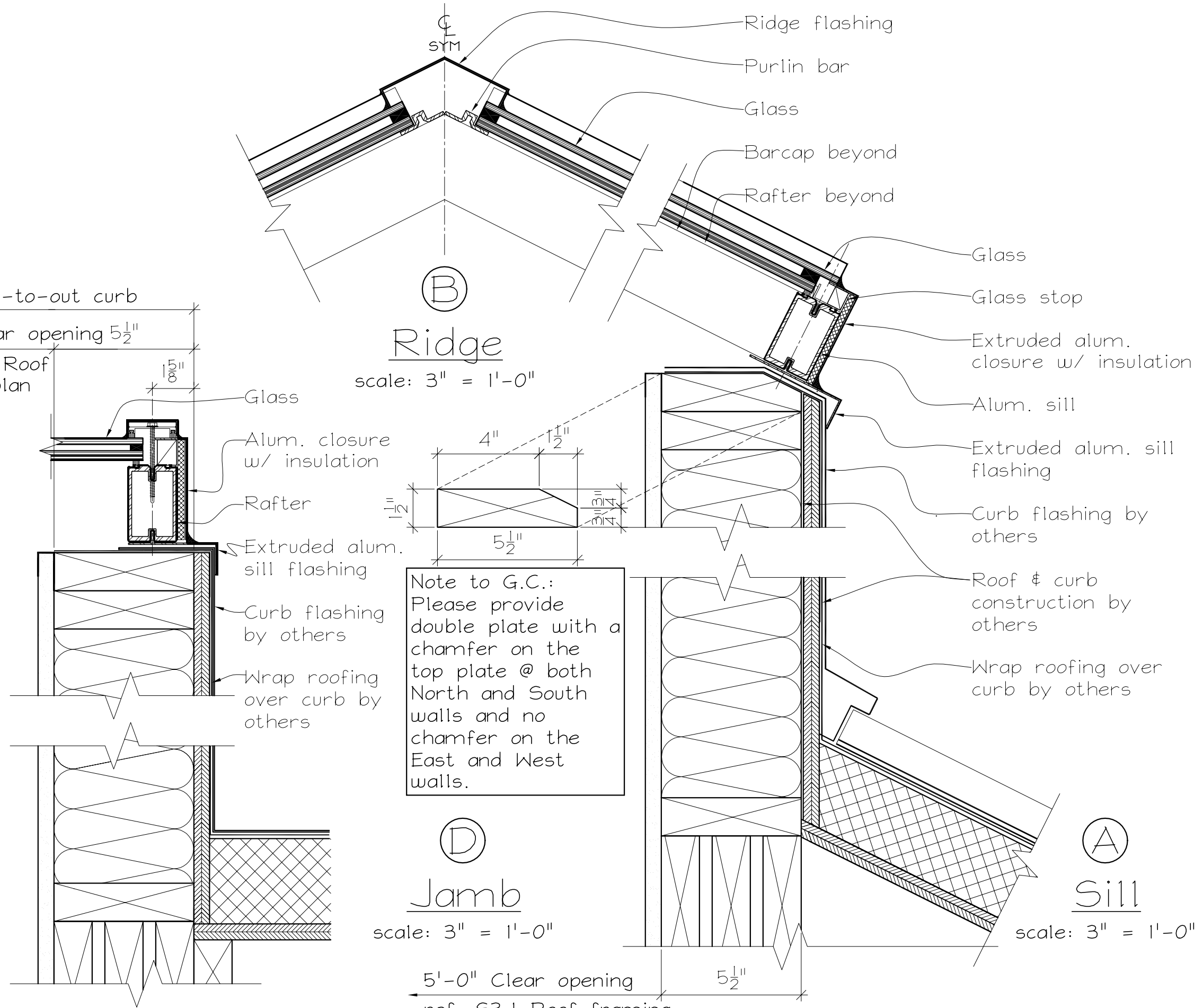
2 of 3

Issued:
8/19/02



©
Rafter
scale: 3" = 1'-0"

11'-11" Out-to-out curb
11'-0" Clear opening 5 1/2"
ref: S3.1 Roof framing plan



ⓑ
Ridge
scale: 3" = 1'-0"

Note to G.C.:
Please provide double plate with a chamfer on the top plate @ both North and South walls and no chamfer on the East and West walls.

ⓓ
Jamb
scale: 3" = 1'-0"

5'-0" Clear opening
ref: S3.1 Roof framing plan

Ⓐ
Sill
scale: 3" = 1'-0"

Manufacturer/Installer:
WISCONSIN SOLAR DESIGN
6349 Briarcliff Ln., Middleton, WI 53562

General Contractor:
Hoffman Corporation
N434 Greenville Center
Appleton, WI 54914

Owner:
Biolife Plasma Services L.P.
1435 Lake Cook Rd. LC11-2
Deerfield, IL 60015

3 of 3
Issued:
8/19/02