

AMERITAS LIFE INSURANCE HOME OFFICE RENOVATION SKYLIGHT SHOP DRAWINGS

SPECIFICATION EXCERPTS

Glass:

Monolithic, $\frac{3}{8}$ " laminated glass with a .030" clear polyvinyl butyral interlayer

Finish for framework, flashings and gutters:

Clear anodized 215 R1 class-I architectural with a 0.07 mil film thickness.

Warranty:

Defective materials and workmanship will be replaced for a period of 5 years from the date of substantial completion.

NOTES

△ Architect and General Contractor:

Please note steel support clip location information for coordination with miscellaneous steel contractor, pages 5, 7 and 8. Steel clips angles are removed from under the gutter along grid line A and from the top chord of the steel truss along grid line B. Clips are added to the cross beams along grid lines 23, 25, 27 and 29.

DRAWING APPROVAL: We have reviewed these drawings and approve their use for construction of the canopy. Any comments or suggestions have been added to the drawings.

Architect:

name (signed) _____

name (printed) _____

title _____

date _____

General Contractor:

name (signed) _____

name (printed) _____

title _____

date _____

OWNER:

Ameritas Life Insurance Corporation
5900 "O" St.
Lincoln, NE 68508

ARCHITECT:

The Clark Enersen Partners, Inc.
1010 Lincoln Mall St.
Lincoln, NE 68508

Drawings prepared by:
Jorge Medina, Wisconsin Solar Design

INDEX:

- 1- Title page
- 2- Skylight plan
- 3- Skylight elevation
- 4- Skylight cross-section
- 5- Skylight details
- 6- Skylight details
- 7- Skylight enlarged plans/cross-section
- 8- Skylight details/cross-section

△ Revised, 4/1/04

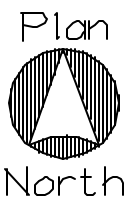
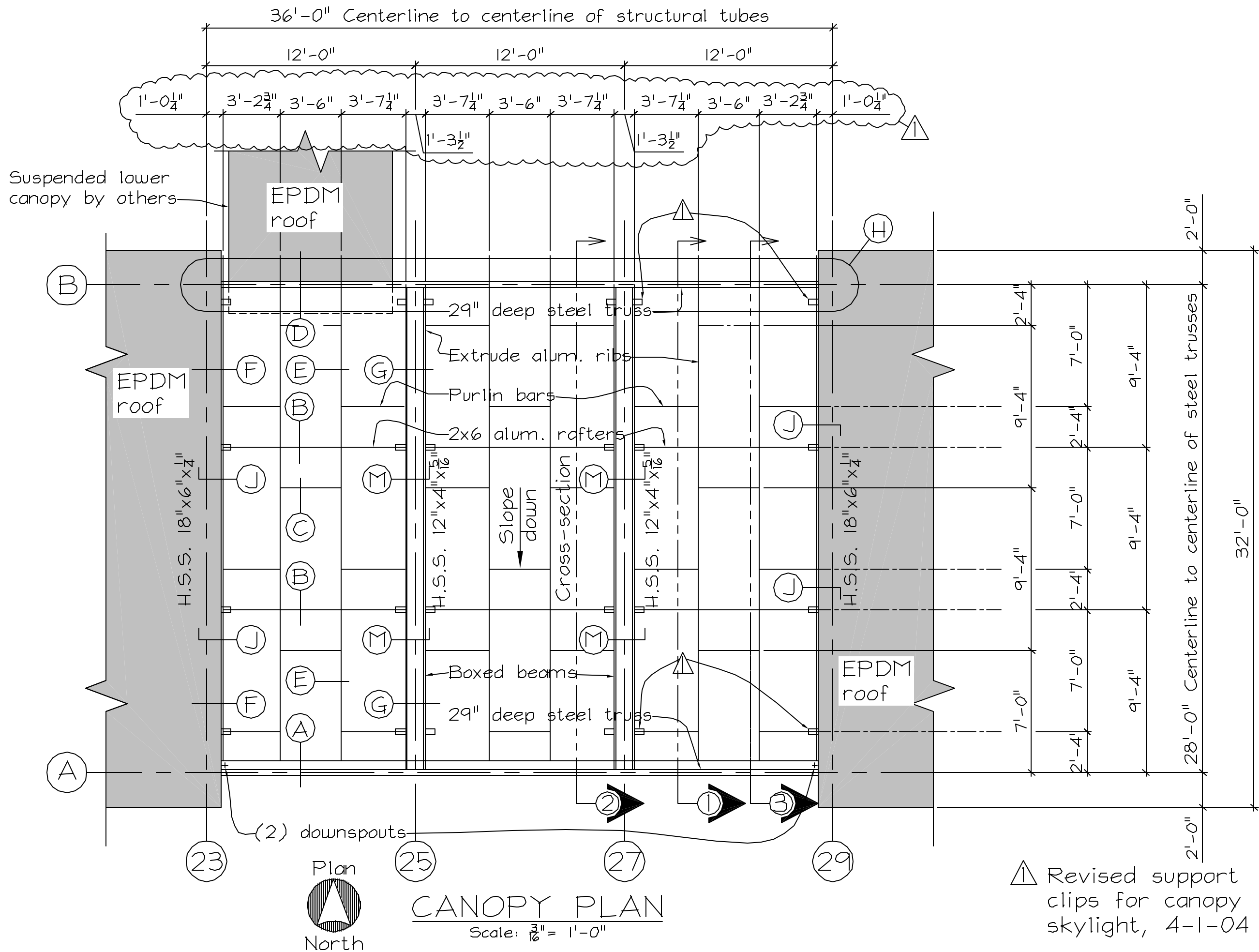
Manufacturer/Installer:
WISCONSIN SOLAR DESIGN
6349 Briarcliff Ln., Middleton, WI 53562

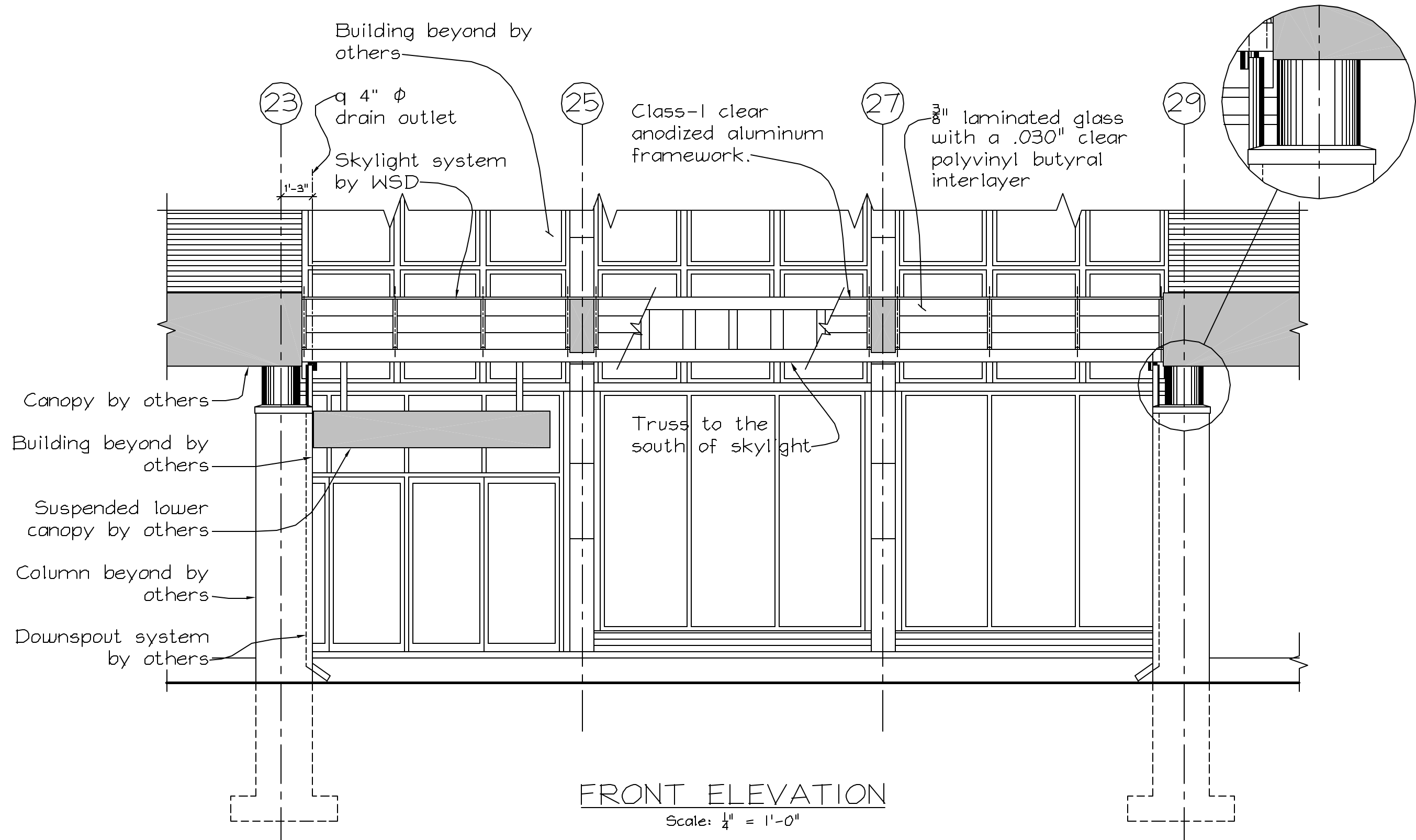
General Contractor:
Sampson Construction
3730 South 14th St.
Lincoln, NE 68502

Project:
Ameritas Life Insurance
5900 "O" St.
Lincoln, NE 68508

1 of 8

Issued:
12/15/03



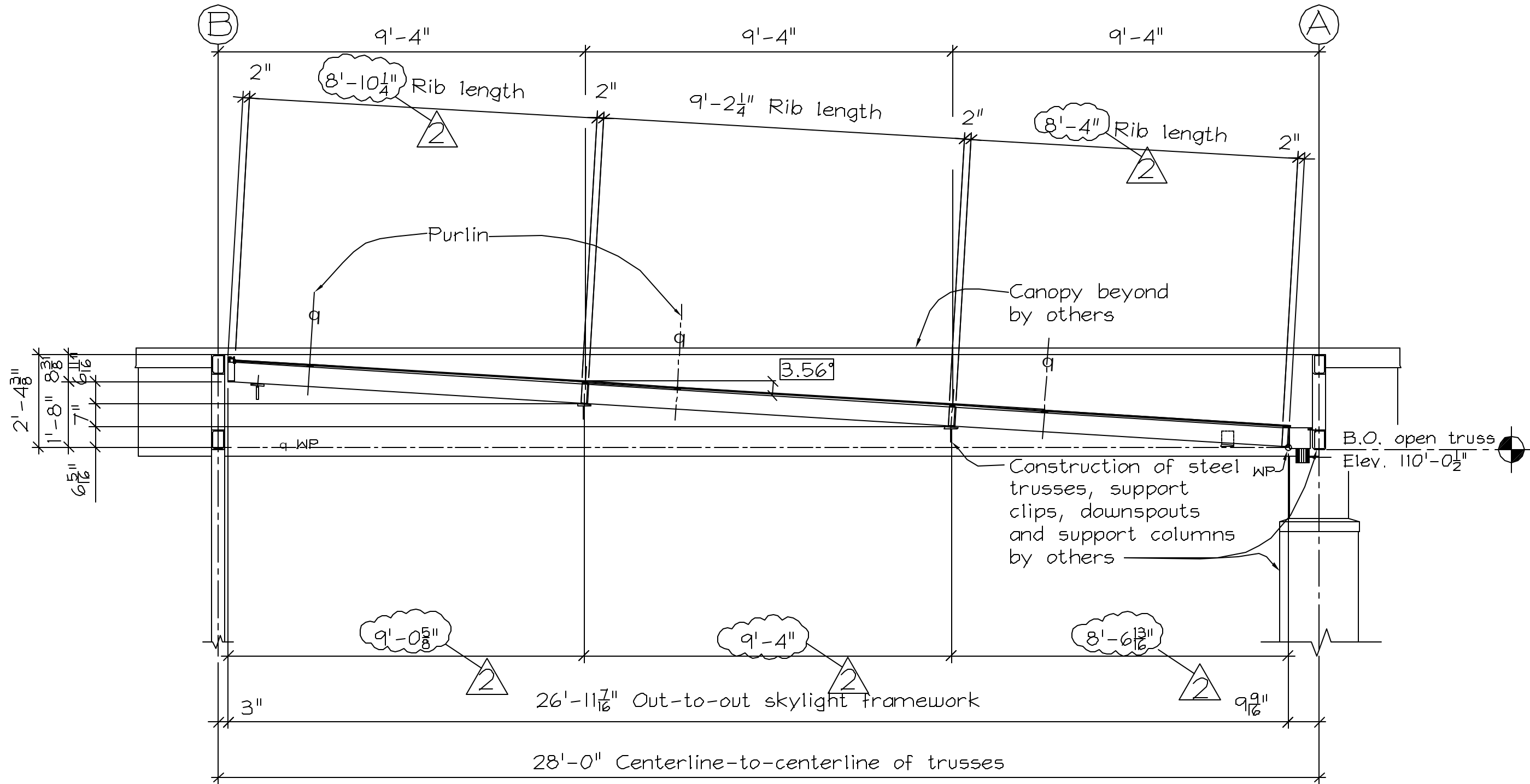


Manufacturer/Installer:
WISCONSIN SOLAR DESIGN
 6349 Briarcliff Ln., Middleton, WI 53562

General Contractor:
 Sampson Construction
 3730 South 14th St.
 Lincoln, NE 68502

Project:
 Ameritas Life Insurance
 5900 "O" St.
 Lincoln, NE 68508

3 of 8
 Issued:
 12/15/03



① CROSS-SECTION
 Scale: $\frac{3}{8}'' = 1'-0''$

△ Revised 6-23-04

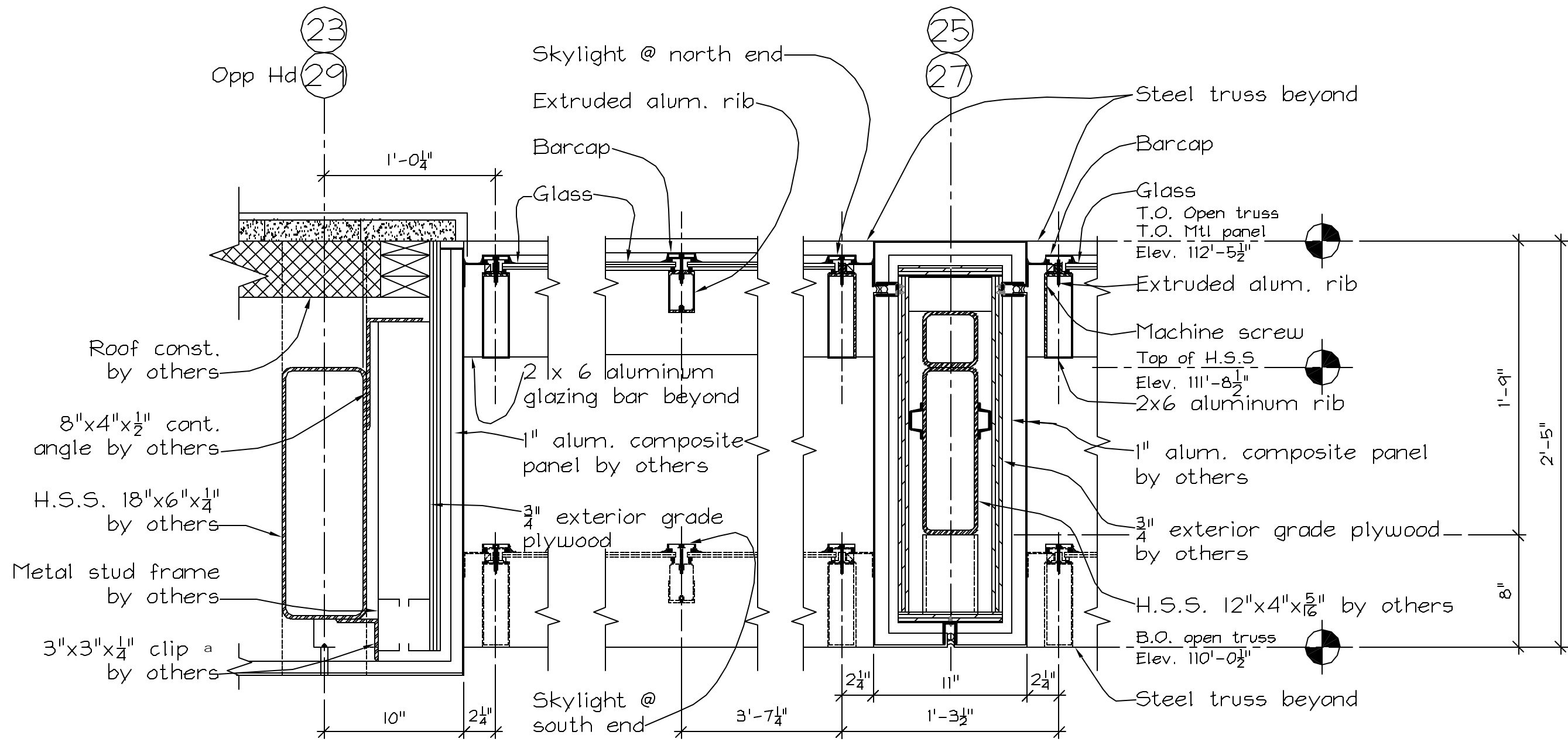
△ Revised support clips for canopy skylight, 4-1-04

Manufacturer/Installer:
WISCONSIN SOLAR DESIGN
 6349 Briarcliff Ln., Middleton, WI 53562

General Contractor:
 Sampson Construction
 3730 South 14th St.
 Lincoln, NE 68502

Project:
 Ameritas Life Insurance
 5900 "O" St.
 Lincoln, NE 68508

4 of 8
 Issued:
 12/15/03



23
Opp Hd 29

25
27

Skylight @ north end

Steel truss beyond

Extruded alum. rib

Barcap

Barcap

Glass

Glass

1'-0 1/4"

T.O. Open truss
T.O. Mtl panel
Elev. 112'-5 1/2"

Roof const.
by others

2 x 6 aluminum
glazing bar beyond

Extruded alum. rib

8"x4"x1/2" cont.
angle by others

1" alum. composite
panel by others

Machine screw

H.S.S. 18"x6"x1/4"
by others

3/4" exterior grade
plywood

Top of H.S.S.
Elev. 111'-8 1/2"

Metal stud frame
by others

1" alum. composite panel
by others

3"x3"x1/4" clip a
by others

3/4" exterior grade plywood
by others

H.S.S. 12"x4"x5/16" by others

B.O. open truss
Elev. 110'-0 1/2"

Skylight @
south end

Steel truss beyond

(F)
JAMB
Scale: 1/2" = 1'-0"

(E)
RIB
Scale: 1/2" = 1'-0"

(G)
JAMB
Scale: 1/2" = 1'-0"

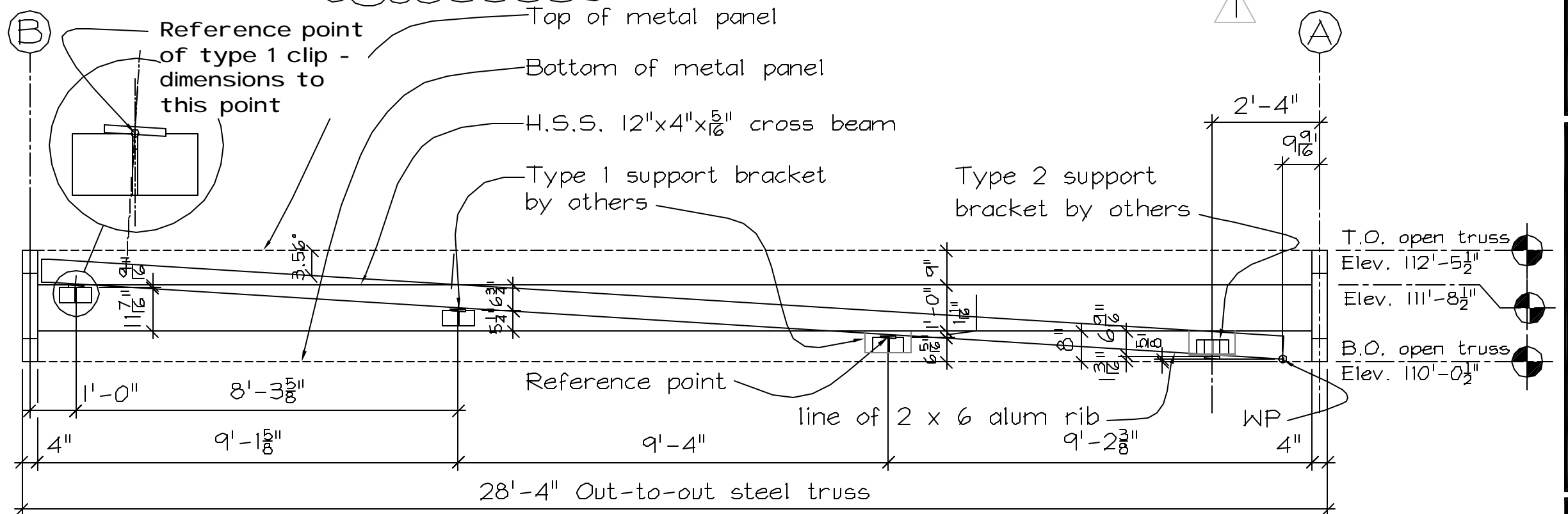
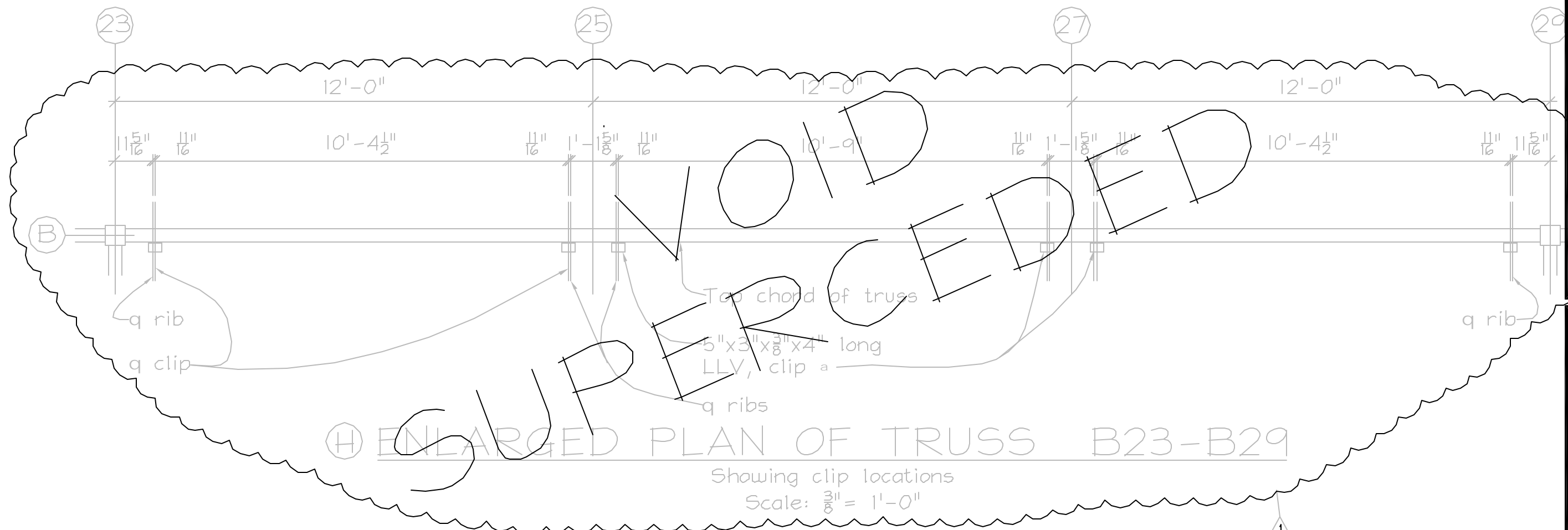
▲ Revised support
clips for canopy
skylight, 4-1-04

Manufacturer/Installer:
WISCONSIN SOLAR DESIGN
6349 Briarcliff Ln., Middleton, WI 53562

General Contractor:
Sampson Construction
3730 South 14th St.
Lincoln, NE 68502

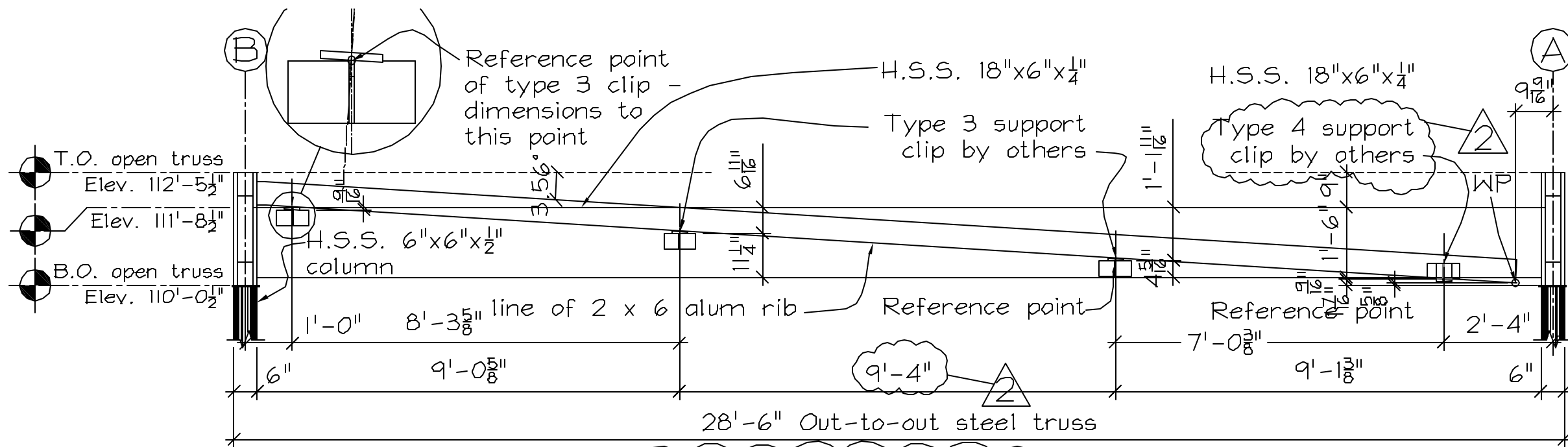
Project:
Ameritas Life Insurance
5900 "O" St.
Lincoln, NE 68508

6 of 8
Issued:
12/15/03

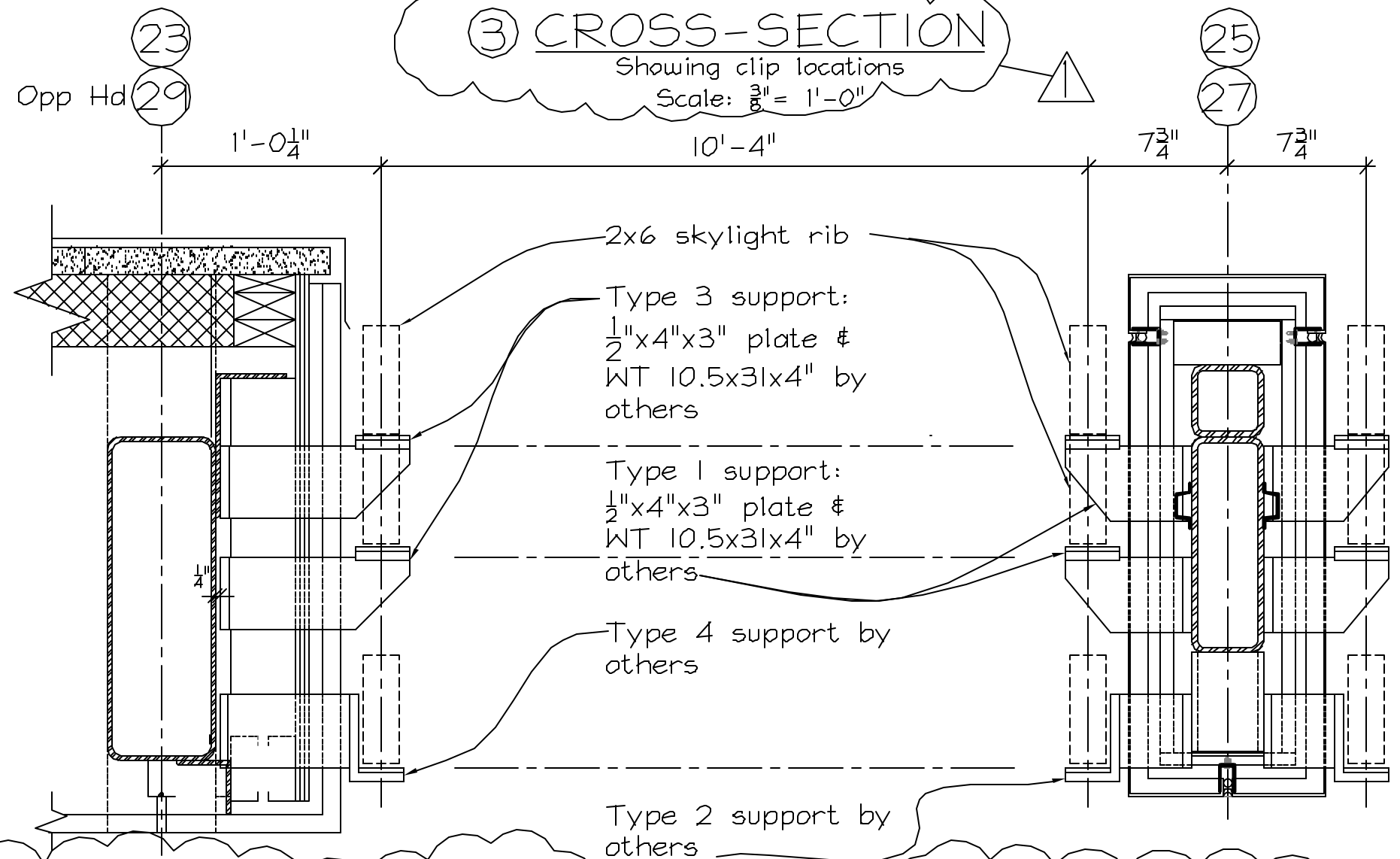


▲ Revised support clips for canopy skylight, 4-1-04

▲ Steel clips revised



③ CROSS-SECTION
 Showing clip locations
 Scale: 3/8" = 1'-0"



- T.O. Open truss
- T.O. Mtl panel
Elev. 112'-5 1/2"
- Top clip
Elev. 111'-7 5/16"
- High intermediate clip
Elev. 111'-1 3/4"
- Low intermediate clip (not shown)
Elev. 110'-6 3/16"
- Bottom clip
Elev. 110'-1 15/16"

④ Jamb Showing Clip a's
 Scale: 1/2" = 1'-0"

⑤ Jamb Showing Clip a's
 Scale: 1/2" = 1'-0"

▲ Revised 6-23-04
 ▲ Revised support clips for canopy skylight, 4-1-04

Manufacturer/Installer:
WISCONSIN SOLAR DESIGN
 6349 Briarcliff Ln., Middleton, WI 53562

General Contractor:
 Sampson Construction
 3730 South 14th St.
 Lincoln, NE 68502

Project:
 Ameritas Life Insurance
 5900 "O" St.
 Lincoln, NE 68508

8 of 8
 Issued:
 12/15/03